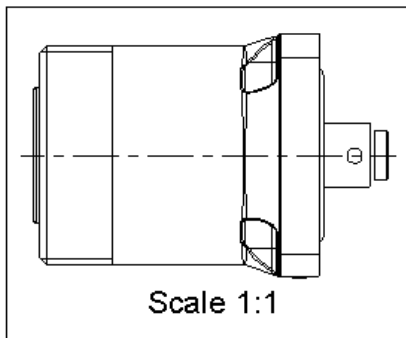
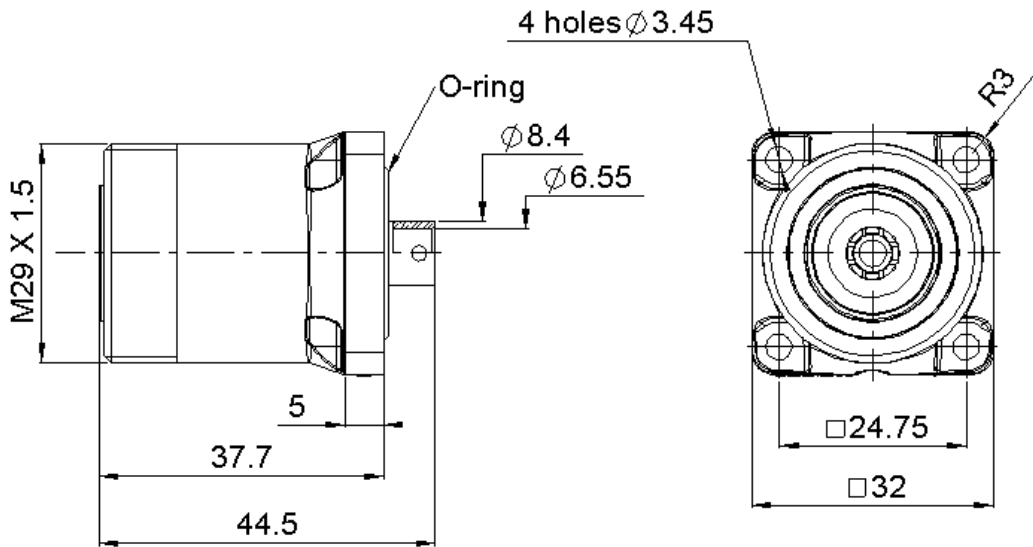


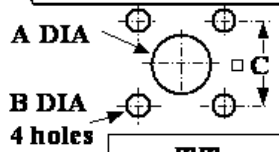
**COMPOSITE STRAIGHT SQUARE FLANGE JACK
SOLDER TYPE
CABLE .250**

R187.130.000

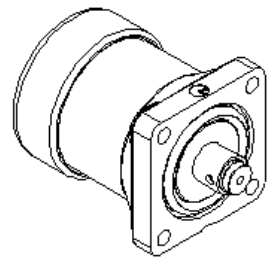
Series : 7/16 COMPOSITE



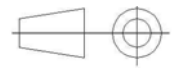
PANEL CUT OUT



	mm	
	Maxi	mini
A	16.2	16
B	3.7	3.6
C	24.8	24.7



All dimensions are in mm.



COMPONENTS	MATERIALS	PLATING (µm)
BODY	COMPOSITE MATERIAL - BLACK	
CENTER CONTACT	BRONZE	SILVER 5 OVER COPPER 0.5
OUTER CONTACT	BRASS	ARGENT 3 SUR-BBR 0.5
INSULATOR	PTFE	
GASKET	SILICONE RUBBER	
OTHERS PARTS		
-	-	
-	-	

Issue : 0908 A

In the effort to improve our products, we reserve the right to make changes judged to be necessary.



**COMPOSITE STRAIGHT SQUARE FLANGE JACK
SOLDER TYPE
CABLE .250**

R187.130.000

Series : 7/16 COMPOSITE

PACKAGING

Standard	Unit	Other
10	'W' option	Contact us

SPECIFICATION

807752-0E - -

CABLE ASSEMBLY

Stripping	a	b	c	d	e	f
mm	5.10	0.00	0.00	0.00	0.00	0.00

ELECTRICAL CHARACTERISTICS

Impedance	50	Ω
Frequency	0-7.5	GHz
VSWR	1.20* + 0.0000	x F(GHz) Maxi
Insertion loss	0.05	√F(GHz) dB Maxi
RF leakage	- (NA	- F(GHz)) dB Maxi
Voltage rating	1400	Veff Maxi
Dielectric withstanding voltage	2700	Veff mini
Insulation resistance	10000	MΩ mini

Assembly instruction :

Recommended cable(s)
KS 3
RG 401

Characteristics indicated on this data sheet are those that can be achieved with the highest performance cable. Intrinsic limitations of the cable may diminish the performance of the assembly

Cable retention

- pull off	200	N mini
- torque	NA	N.cm

MECHANICAL CHARACTERISTICS

Center contact retention		
Axial force – Mating end	200	N mini
Axial force – Opposite end	100	N mini
Torque	NA	N.cm mini

TOOLING

Part Number	Description	Hexagon
.	.	.

Recommended torque		
Mating	NA	N.cm
Panel nut	NA	N.cm
Clamp nut	NA	N.cm
A/F clamp nut	0.0000	mm

OTHER CHARACTERISTICS

VSWR : 1.2 max0~7.5GHz

PIM3:-125dBm under 2 carriers of +43dBm

Mating life	500	Cycles mini
Weight	75.1700	g

ENVIRONMENTAL

Operating temperature	-40/+85	° C
Hermetic seal	NA	Atm.cm3/s
Panel leakage	IP67	

Issue : 0908 A

In the effort to improve our products, we reserve the right to make changes judged to be necessary.



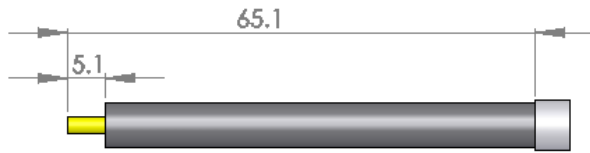
PRELIMINARY

**COMPOSITE STRAIGHT SQUARE FLANGE JACK
SOLDER TYPE
CABLE .250**

R187.130.000

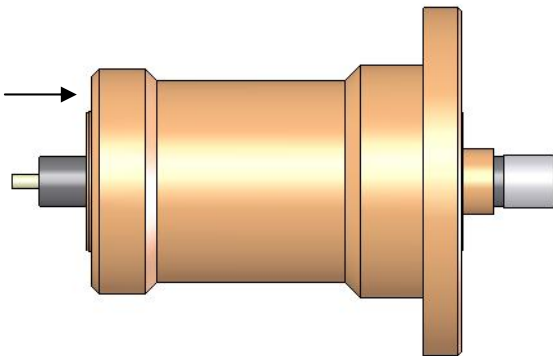
Series : 7/16 COMPOSITE

ASSEMBLY INSTRUCTION



Step 1

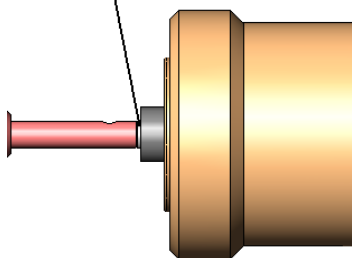
- Remove jacket and dielectric of the cable with stripping tool.
- Trim cable inner conductor with trimmer.
- Check dimension 5.1 mm.



Step 2

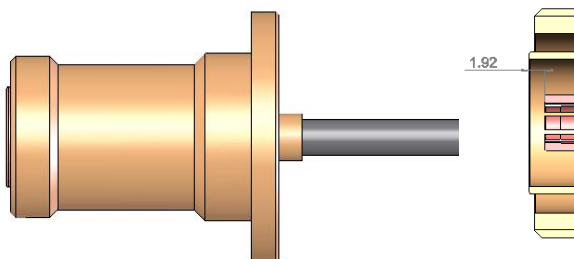
- Push the prepared cable through body.

PTFE washer



Step 3

- Input the PTFE washer into cable inner contact,
- Solder the center contact to the cable inner contact (-Solder in wire or paste form can be used.
- Solder with induction soldering, solder tongs or solder iron).



Step 4

- Push center contact with hand press until stop,
- check interface dimension 1.92.

CAUTION:

To make sure the solder joint on the center contact will not be damaged, it is important to push the center contact and not to pull at the cable

Issue : 0908 A

In the effort to improve our products, we reserve the right to make changes judged to be necessary.



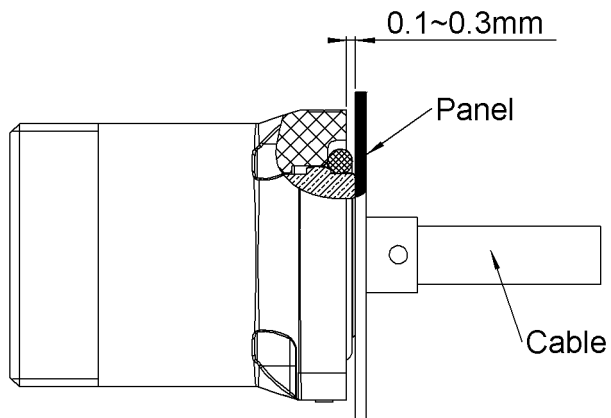
**COMPOSITE STRAIGHT SQUARE FLANGE JACK
SOLDER TYPE
CABLE .250**

R187.130.000

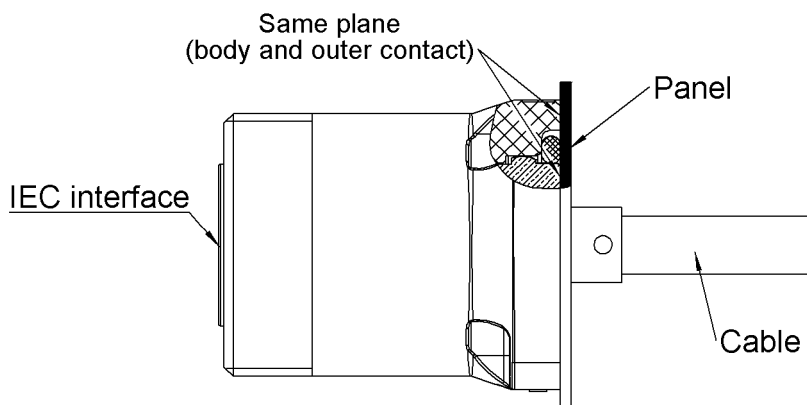
Series : 7/16 COMPOSITE

Assembly instruction

Before the installation, the outer contact is slightly protruded from the rear flange (0.1~0.3mm).
During the installation, the outer contact is pushed inside the composite housing.
In its final position, the outer contact is aligned with the rear flange, and in contact with the panel.
During mating, the outer contact is pressed against the panel, reducing significantly the IM3 generation.



Before assembly



After assembly

Issue : 0908 A

In the effort to improve our products, we reserve the right to make changes judged to be necessary.



PRELIMINARY

X-ON Electronics

Largest Supplier of Electrical and Electronic Components

Click to view similar products for [RF Connectors / Coaxial Connectors](#) category:

Click to view products by [Radiall](#) manufacturer:

Other Similar products are found below :

[8915-1511-000](#) [89674-0827](#) [6001-7071-019](#) [6002-7051-003](#) [6002-7551-202](#) [6059674-1](#) [619550-1](#) [630059-000](#) [M39030/3-01N](#) [6500-7071-046](#) [6769](#) [CX050L2AQ](#) [7002-1541-010](#) [7002-1542-011](#) [7004-1512-000](#) [7009-1511-004](#) [7010-1511-000](#) [7029-1511-060](#) [7101-1541-010](#) [7101-1571-002](#) [7145-1521-002](#) [7203-1571-003](#) [7209-1511-011](#) [7210-1511-015](#) [7210-1511-019](#) [73137-5015](#) [73216-2241](#) [73404-2300](#) [7405-1521-005](#) [7405-1521-802](#) [8527](#) [8547](#) [FS11V](#) [877931](#) [8808-1511-001](#) [9049-9513-000](#) [9074-9513-000](#) [9101-9573-002](#) [910A205F](#) [9130-9573-002](#) [PL11SC-026](#) [PL375-33](#) [PL40-5](#) [PL74C-221](#) [PL75MC-217](#) [PL803-7](#) [1200690078](#) [1-201144-1](#) [R107003010W](#) [R110A172100](#)