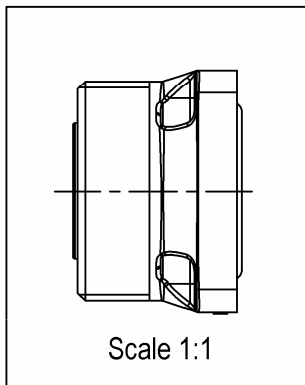
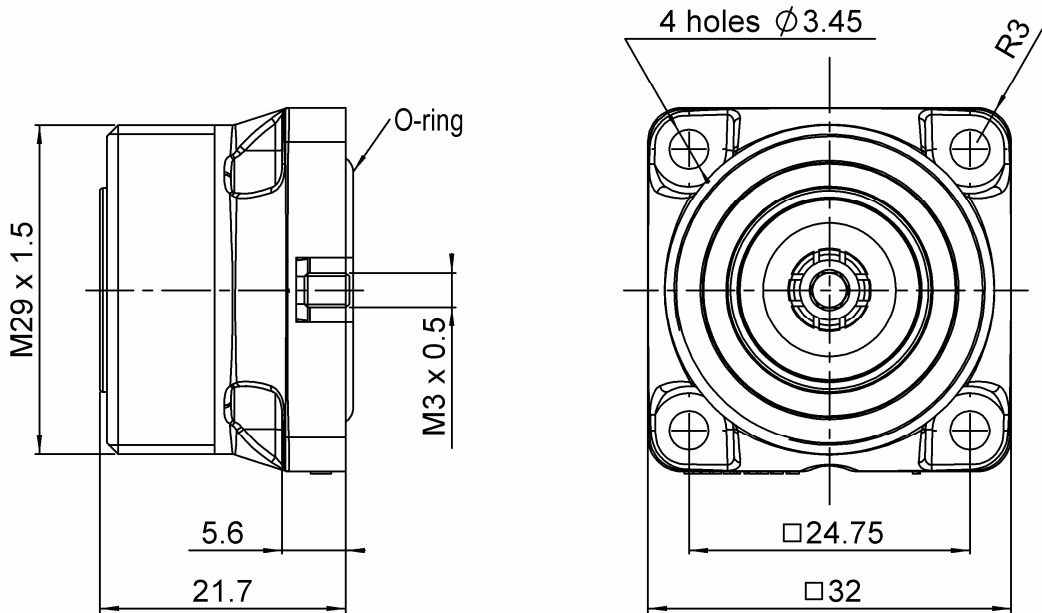


COMPOSITE SQUARE FLANGE JACK RECEPTACLE

R187.403.000

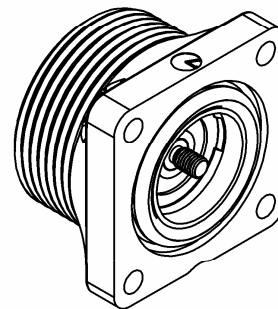
PANEL SEAL – FRONT MOUNTING M3 SCREW

Series : 7/16
COMPOSITE

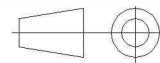


PANEL CUT OUT

mm		
	Maxi	mini
A	16.2	16
B	3.7	3.6
C	24.8	24.7



All dimensions are in mm.



COMPONENTS	MATERIALS	PLATING (µm)
BODY	COMPOSITE MATERIAL - BLACK	-
CENTER CONTACT	BRONZE	SILVER 5 OVER COPPER 0.5
OUTER CONTACT	BRASS	SILVER 3 OVER BBR 0.5
INSULATOR	PTFE	-
GASKET	SILICONE RUBBER	-
OTHERS PARTS	-	-
-	-	-
-	-	-

Issue : 0935 C

In the effort to improve our products, we reserve the right to make changes judged to be necessary.



COMPOSITE SQUARE FLANGE JACK RECEPTACLE

R187.403.000

PANEL SEAL – FRONT MOUNTING M3 SCREW

Series : 7/16
COMPOSITE

PACKAGING

SPECIFICATION

Standard	Unit	Other
60	'W' option	Contact us

ELECTRICAL CHARACTERISTICS

ENVIRONMENTAL

Impedance **50** Ω
 Frequency **0-7.5** GHz
 VSWR ***1.06 + 0.0000** x F(GHz) Maxi
 Insertion loss **0.05** √F(GHz) dB Maxi
 RF leakage - (**NA** - F(GHz)) dB Maxi
 Voltage rating **1400** Veff Maxi
 Dielectric withstanding voltage **2700** Veff mini
 Insulation resistance **10000** MΩ mini

Operating temperature **-40/+85** ° C
 Hermetic seal **Atm.cm3/s**
 Panel leakage **IP 67**

OTHER CHARACTERISTICS

Assembly instruction

Others :

*VSWR : 1.06 between DC to 3GHz
 *VSWR : 1.10 between 3 to 7.5GHz
 PIM3:-125dBm under 2 carriers of +43dBm

MECHANICAL CHARACTERISTICS

Center contact retention
 Axial force – Mating end **200** N mini
 Axial force – Opposite end **NA** N mini
 Torque **NA** N.cm mini

Recommended torque
 Mating **N.cm**
 Panel nut **N.cm**

Mating life **500** Cycles mini
 Weight **14.6680** g

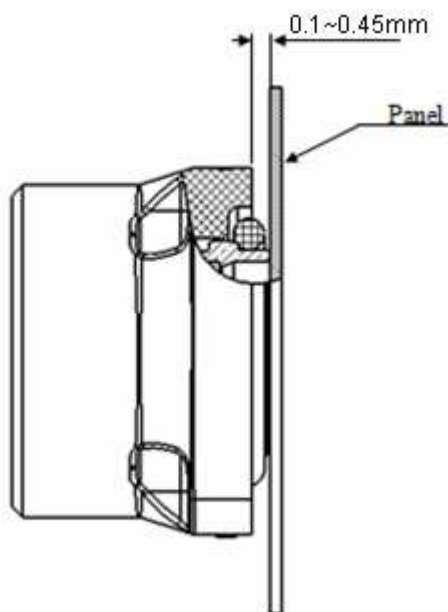
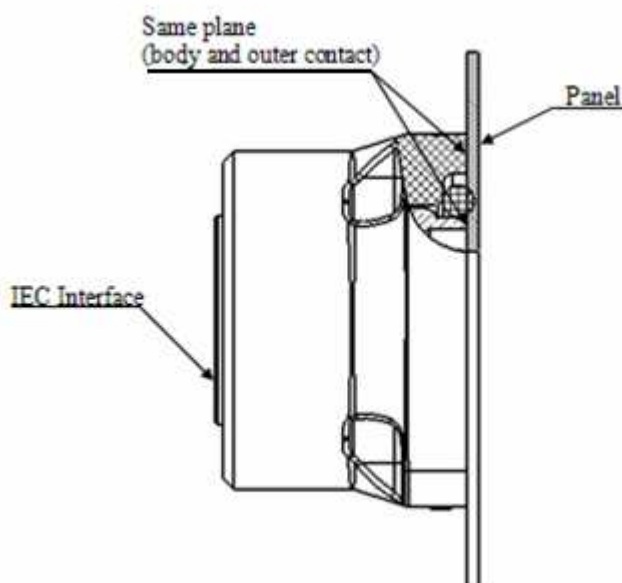
Issue : 0935 C

In the effort to improve our products, we reserve the right to make changes judged to be necessary.



COMPOSITE SQUARE FLANGE JACK RECEPTACLE**R187.403.000****PANEL SEAL – FRONT MOUNTING M3 SCREW**Series : 7/16
COMPOSITE**Assembly instruction**

Prior to the installation, the outer contact is slightly protruded from the rear flange (0.1~0.45mm). During the installation, the outer contact is pushed inside the composite housing. In its final position, the outer contact is aligned with the rear flange, and in contact with the panel. During mating, the outer contact is pressed against the panel, reducing significantly the IM3 generation.

**Before assembly****After assembly****Issue : 0935 C**

In the effort to improve our products, we reserve the right to make changes judged to be necessary.

RADIALL 

X-ON Electronics

Largest Supplier of Electrical and Electronic Components

Click to view similar products for [RF Connectors / Coaxial Connectors](#) category:

Click to view products by [Radiall](#) manufacturer:

Other Similar products are found below :

[8915-1511-000](#) [89674-0827](#) [6001-7071-019](#) [6002-7051-003](#) [6002-7551-202](#) [6059674-1](#) [619550-1](#) [630059-000](#) [M39030/3-01N](#) [6500-7071-046](#) [6769](#) [CX050L2AQ](#) [7002-1541-010](#) [7002-1542-011](#) [7004-1512-000](#) [7009-1511-004](#) [7010-1511-000](#) [7029-1511-060](#) [7101-1541-010](#) [7101-1571-002](#) [7145-1521-002](#) [7203-1571-003](#) [7209-1511-011](#) [7210-1511-015](#) [7210-1511-019](#) [73137-5015](#) [73216-2241](#) [73404-2300](#) [7405-1521-005](#) [7405-1521-802](#) [8527](#) [8547](#) [FS11V](#) [877931](#) [8808-1511-001](#) [9049-9513-000](#) [9074-9513-000](#) [9101-9573-002](#) [910A205F](#) [9130-9573-002](#) [PL11SC-026](#) [PL375-33](#) [PL40-5](#) [PL74C-221](#) [PL75MC-217](#) [PL803-7](#) [1200690078](#) [1-201144-1](#) [R107003010W](#) [R110A172100](#)