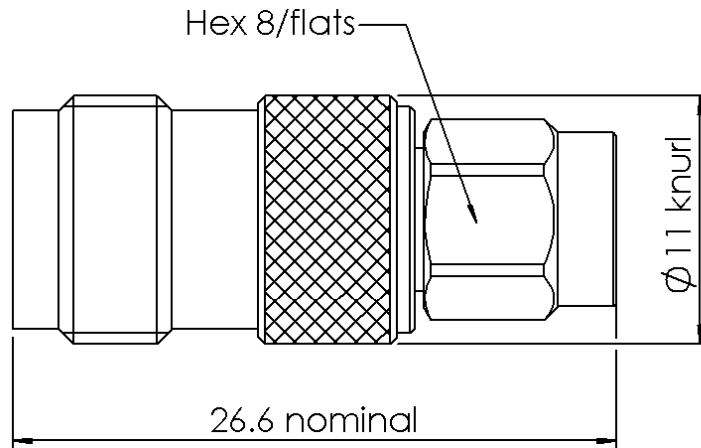


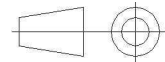
ADAPTOR SMA MALE - TNC FEMALE

R191.311.000

Série : ADAPT



All dimensions are in mm.



COMPONENTS	MATERIALS	PLATING (µm)
BODY	BRASS	NICKEL 2
CENTER CONTACT	BERYLLIUM COPPER	GOLD 2.5 OVER NICKEL 2
OUTER CONTACT	-	-
INSULATOR	PTFE	
GASKET	SILICONE RUBBER	
OTHERS PARTS	BERYLLIUM COPPER	NICKEL 2
-	-	-
-	-	-

Issue : 0922 L

In the effort to improve our products, we reserve the rights to make changes judged to be necessary.



ADAPTOR SMA MALE - TNC FEMALE

R191.311.000

Série : ADAPT

PACKAGING

Standard	Unit	Other
1		Contact us

SPECIFICATION

ELECTRICAL CHARACTERISTICS

Impedance		50 Ω
Frequency		0-11 GHz
VSWR	1.05 +	0,0250 x F(GHz) Maxi
Insertion loss		0.1 √F(GHz) dB Maxi
RF leakage	- (60 - F(GHz)) dB Maxi
Voltage rating		335 Veff Maxi
Dielectric withstanding voltage		750 Veff mini
Insulation resistance		5000 MΩ mini

ENVIRONMENTAL

Operating		-65/+125 °C
Hermetic seal		NA Atm.cm3/s
Panel leakage		NA

MECHANICAL CHARACTERISTICS

Center contact retention		
Axial force – Mating end		27 N mini
Axial force – Opposite end		27 N mini
Torque		NA N.cm mini
Recommended torque		
Mating	SMA	0 N.cm
	TNC	0 N.cm
	-	0 N.cm
Panel nut		NA N.cm
Mating life		500 Cycles mini
Weight		10,000 g

OTHER CHARACTERISTICS

Issue : 0922 L

In the effort to improve our products, we reserve the rights to make changes judged to be necessary.



X-ON Electronics

Largest Supplier of Electrical and Electronic Components

Click to view similar products for [RF Adapters - Between Series](#) category:

Click to view products by [Radiall](#) manufacturer:

Other Similar products are found below :

[R191203007](#) [R191209000](#) [R191212000](#) [R191215000](#) [R191301000](#) [R191325000](#) [R191389200](#) [R191403000](#) [R191405000](#) [R191416000](#)
[R191419000](#) [R191421000](#) [R191424000](#) [R191445000](#) [R191511000](#) [R191552000](#) [R191720000](#) [R191722000](#) [R191733000](#) [R191759000](#)
[R191841001W](#) [R191911000](#) [R191912000](#) [R192417010](#) [R921390000](#) [ADBJ20-E1-BJ379](#) [ADM2](#) [ADPL75-A1-PL75](#) [ADPL75-E1-UBJ20](#)
[9317505](#) [931RPBUFLP](#) [AD130](#) [ADBJ20-E1-PL74](#) [ADBJ20-E2-BJ79](#) [ADBJ77-A1PL3155](#) [ADBJ77-E1-UPL20](#) [ADBJ77-E2-PL20](#) [242215](#)
[242228](#) [R125680000W](#) [R191117000](#) [R191123000](#) [R191.147.000](#) [R191303000](#) [R191313000](#) [R191315000](#) [R191316700](#) [R191327000](#)
[R191331000](#) [R191333000](#)