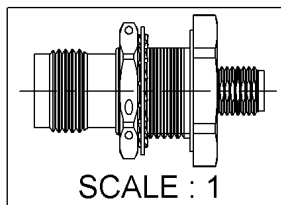
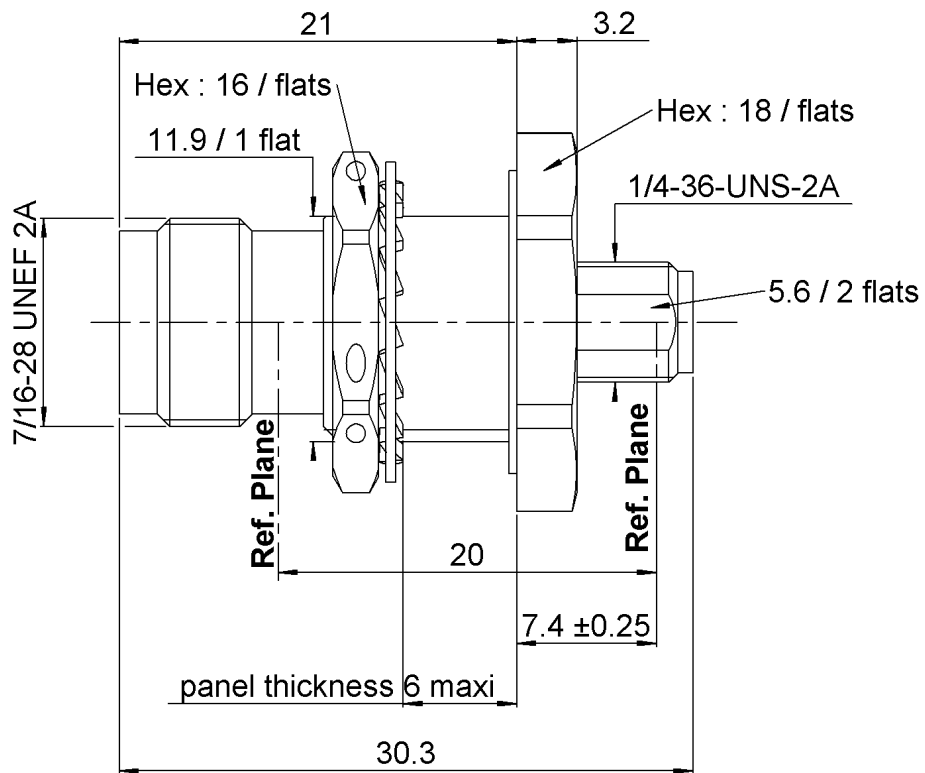
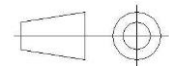
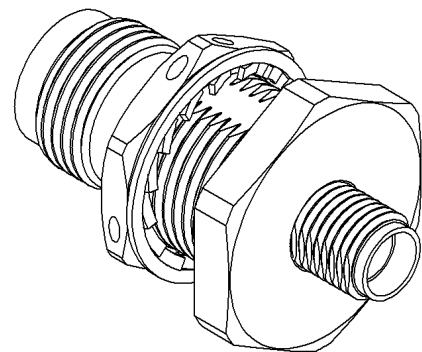
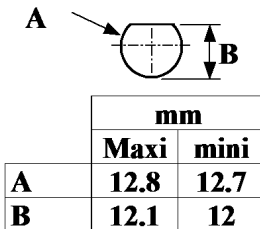


| | | | |
|----------|-----------------|--------------|------------------------|
| PAGE 1/2 | ISSUE 17-03-17D | SERIES ADAPT | PART NUMBER R191318700 |
|----------|-----------------|--------------|------------------------|



PANEL CUT OUT



All dimensions are in mm.

| COMPONENTS | MATERIALS | PLATING (µm) |
|----------------|-------------------------|-------------------------|
| Body | BERYLLIUM COPPER | NICKEL . |
| Center contact | BERYLLIUM COPPER | GOLD OVER NICKEL |
| Outer contact | | |
| Insulator | PTFE | |
| Gasket | FLUOROCARBON | |
| Others parts | - | - |
| - | - | - |
| - | - | - |

| | | | |
|-----------------|------------------------|---------------------|-------------------------------|
| PAGE 2/2 | ISSUE 17-03-17D | SERIES ADAPT | PART NUMBER R191318700 |
|-----------------|------------------------|---------------------|-------------------------------|

PACKAGING

| Standard | Unit | Other |
|----------|----------|-------------------|
| 1 | - | Contact us |

ELECTRICAL CHARACTERISTICS

| | | | |
|---------------------------------|----------------|---------------|--------------------------|
| Impedance | | 50 | Ω |
| Frequency | | 0-18 | GHz |
| VSWR | 1.45* + | 0,0000 | x F(GHz) Maxi |
| Insertion loss | | 0.12 | \sqrt{F} (GHz) dB Maxi |
| RF leakage | - (| 60 | - F(GHz)) dB Maxi |
| Voltage rating | | 500 | Veff Maxi |
| Dielectric withstanding voltage | | 1000 | Veff mini |
| Insulation resistance | | 5000 | M Ω mini |

ENVIRONMENTAL

| | | |
|---------------|-----------------|--------------------|
| Operating | -55/+125 | $^{\circ}\text{C}$ |
| Hermetic seal | 10-5 | Atm.cm3/s |
| Panel leakage | IP67 | |

MECHANICAL CHARACTERISTICS

| | | | |
|----------------------------|--|------------|-----------|
| Center contact retention | | | |
| Axial force – Mating End | | 27 | N mini |
| Axial force – Opposite end | | 27 | N mini |
| Torque | | 2.8 | N.cm mini |

SPECIFICATION

OTHER CHARACTERISTICS

| | | | |
|--------------------|------------|----------------|-------------|
| Recommended torque | | | |
| Mating | TNC | 0 | N.cm |
| | SMA | 0 | N.cm |
| | - | 0 | N.cm |
| Panel nut | | 370 | N.cm |
| Mating life | | 500 | Cycles mini |
| Weight | | 18,1000 | g |

***1.25 to 10GHz**

X-ON Electronics

Largest Supplier of Electrical and Electronic Components

Click to view similar products for [RF Adapters - Between Series category:](#)

Click to view products by [Radiall manufacturer:](#)

Other Similar products are found below :

[5945-9503-000](#) [MCX/F-SMA/M](#) [R192417010](#) [ADBJ20-E1-BJ379](#) [ADM2](#) [ADPL75-A1-PL75](#) [242191](#) [9317505](#) [29-3835P](#) [AD130](#) [ADBJ20-E1-PL74](#) [ADBJ77-E1-UPL20](#) [ADRMF370](#) [242215](#) [242228](#) [R125680000W](#) [R192430000](#) [UAD95](#) [1057367-1](#) [8311505](#) [R114704000](#)
[R451034500](#) [R451030500](#) [R451543000](#) [HDVDPN](#) [ADBJ20-K1-PL20](#) [R451570000](#) [R192419000](#) [R451034000](#) [J9](#) [J3WE-5](#) [R451032500](#)
[242201RP](#) [17K132-K00S5](#) [AD-RSMAF-RTNC](#) [53K156-K00N5](#) [02K119-K00E3](#) [29S132-K01N5](#) [53S156-K00N5](#) [02S119-S00E3](#) [28K132-K00N5](#) [02S109-K00S3](#) [27-8200TP](#) [242235](#) [ADBJ20-E1-BJ89](#) [000-2900](#) [321-102-003 \(SMA-50/2-H155/W1.03 AU\)](#) [1057377-1](#) [321-350-001 \(SMA-50-R/2-RG316/N2.01\)](#) [RF2-03-T-00-50-G](#)