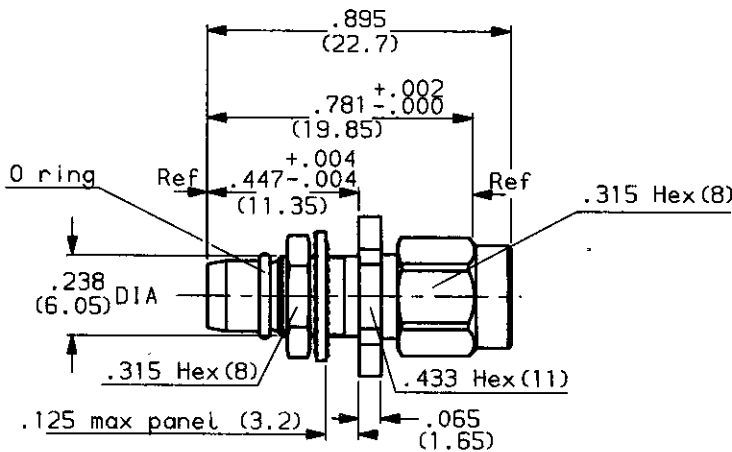
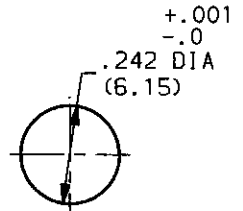


ADAPTER BMA PLUG - SMA PLUG
BULKHEAD MOUNT



MOUNTING HOLE



2.5

WEIGHT 0 oz (..... g)

CABLES : -

CHARACTERISTICS

NOMINAL IMPEDANCE	50 Ω	STANDARDISATION	-
FREQUENCY RANGE	0 - 18 GHz		-
TEMPERATURE RATING	-65 / +125 °C		-
VSWR	1.05+ .005fGHz Max		-
RF INSERTION LOSS	- dB Max	CABLE RETENTION	0 Lb Max NA N Max
VOLTAGE RATING	350 Vrms	CENTER CONTACT RETENTION	
DIELECTRIC WITHSTANDING VOLTAGE	1000 Vrms	Axial force - mating end	6.075 Lb Max 27 N Max
INSULATION RESISTANCE	5000 M Ω	Axial force - opposite end	6.075 Lb Max 27 N Max
HERMETIC SEAL	- cc/s cm ³ /s	Torque (Max)	- inch.oz cm.N
LEAKAGE (pressurized only)	- psi kg/cm ²	MATING TORQUE RECOMMENDED	- inch. Lb cm.N
-	-		-
-	-		-

CONSTRUCTION

CONNECTOR PARTS	MATERIALS	FINISH
Body	Stainless steel	Passivated
Outer contact	Stainless steel	Passivated
Center contact	Brass	Gold over nickel
Insulators	PTFE	-
-	-	-
-	-	-
-	-	-
-	-	-
-	-	-

ISSUE	REVISION No	DESCRIPTION	BY	DATE
.
.
.
.

Initiated on 18 04 89

The information given here is subject to change without notice. Design changes may be in order to improve the product.



Superseded on

X-ON Electronics

Largest Supplier of Electrical and Electronic Components

Click to view similar products for [RF Adapters - Between Series category:](#)

Click to view products by [Radiall manufacturer:](#)

Other Similar products are found below :

[5945-9503-000](#) [MCX/F-SMA/M](#) [R192417010](#) [ADBJ20-E1-BJ379](#) [ADM2](#) [ADPL75-A1-PL75](#) [242191](#) [9317505](#) [29-3835P](#) [AD130](#) [ADBJ20-E1-PL74](#) [ADBJ77-E1-UPL20](#) [ADRMF370](#) [242215](#) [242228](#) [R125680000W](#) [R192430000](#) [UAD95](#) [1057367-1](#) [8311505](#) [R114704000](#)
[R451034500](#) [R451030500](#) [R451543000](#) [HDVDPN](#) [ADBJ20-K1-PL20](#) [R451570000](#) [R192419000](#) [R451034000](#) [J9](#) [J3WE-5](#) [R451032500](#)
[242201RP](#) [17K132-K00S5](#) [AD-RSMAF-RTNC](#) [53K156-K00N5](#) [02K119-K00E3](#) [29S132-K01N5](#) [53S156-K00N5](#) [02S119-S00E3](#) [28K132-K00N5](#) [02S109-K00S3](#) [27-8200TP](#) [242235](#) [ADBJ20-E1-BJ89](#) [000-2900](#) [321-102-003 \(SMA-50/2-H155/W1.03 AU\)](#) [1057377-1](#) [321-350-001 \(SMA-50-R/2-RG316/N2.01\)](#) [RF2-03-T-00-50-G](#)