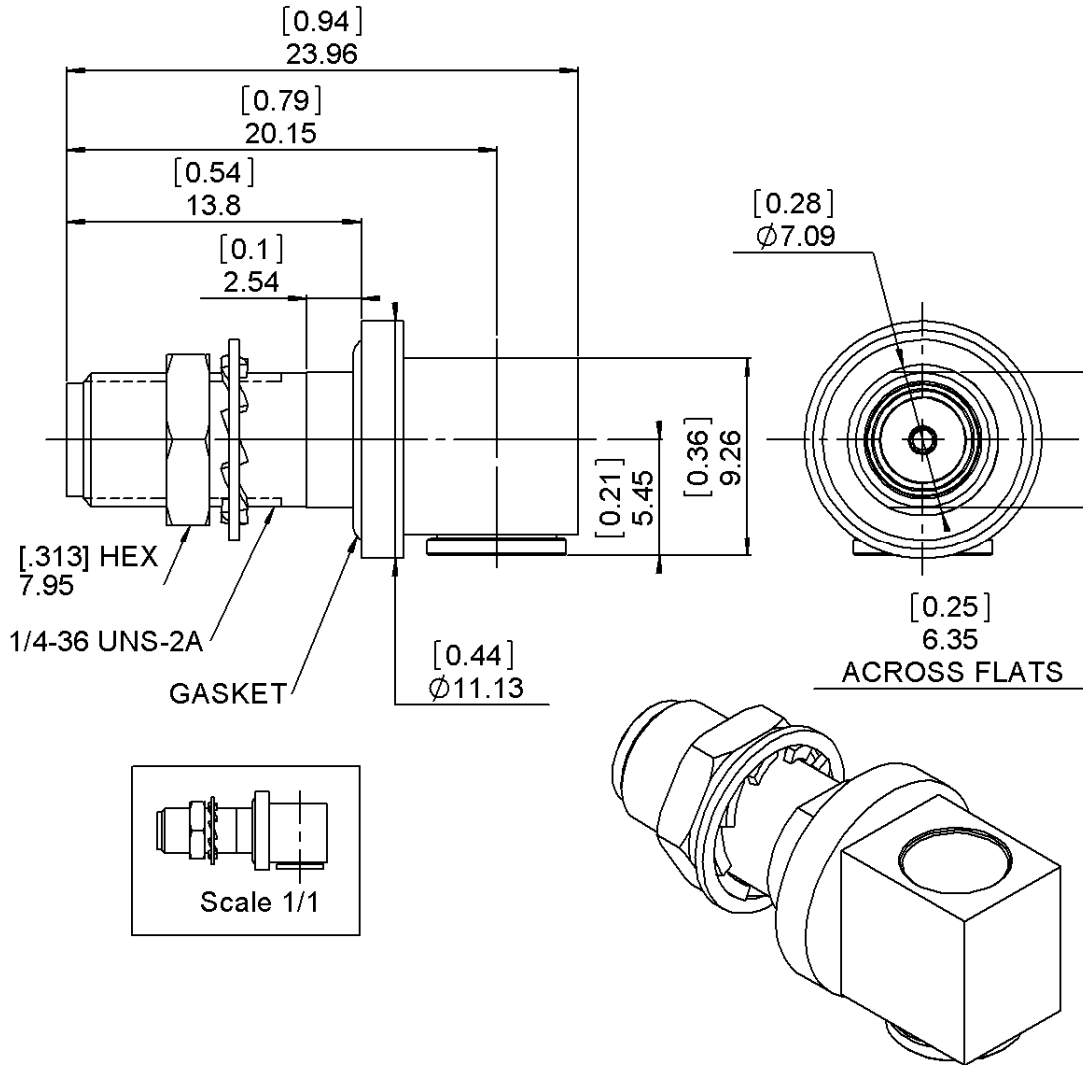


SMA FEMALE - MMBX FEMALE

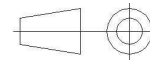
R191.389.420

RIGHT ANGLE ADAPTER

Série : ADAPT



All dimensions are in mm.



COMPONENTS	MATERIALS	PLATING (µm)
BODY	BRASS	BBR 2
CENTER CONTACT	BERYLLIUM COPPER	GOLD 1.3 OVER NICKEL 2
OUTER CONTACT	-	
INSULATOR	POLYMERE A CRISTAUX	
GASKET	LIQUIDES,PTFE	
OTHERS PARTS		
-	-	-
-	-	-

Issue : 1402 F

In the effort to improve our products, we reserve the rights to make changes judged to be necessary.



SMA FEMALE - MMBX FEMALE

R191.389.420

RIGHT ANGLE ADAPTER

Série : ADAPT

PACKAGING

Standard	Unit	Other
	'W' option	Contact us

SPECIFICATION

ELECTRICAL CHARACTERISTICS

Impedance		50 Ω
Frequency		0-12.4 GHz
VSWR	TBD +	0.0000 x F(GHz) Maxi
Insertion loss		TBD √F(GHz) dB Maxi
RF leakage	- (100 - F(GHz)) dB Maxi
Voltage rating		330 Veff Maxi
Dielectric withstanding voltage		500 Veff mini
Insulation resistance		1000 MΩ mini

ENVIRONMENTAL

Operating		-55/+155° ° C
Hermetic seal		NA Atm.cm3/s
Panel leakage		NA

MECHANICAL CHARACTERISTICS

Center contact retention		
Axial force – Mating end		10 N mini
Axial force – Opposite end		10 N mini
Torque		NA N.cm mini
Recommended torque		
Mating		0 N.cm
		0 N.cm
		0 N.cm
Panel nut		NA N.cm
Mating life		500 Cycles mini
Weight		6.8800 g

OTHER CHARACTERISTICS

to 6 GHz
Interface MMBX only up to 2.5GHz

Issue : 1402 F

In the effort to improve our products, we reserve the rights to make changes judged to be necessary.



X-ON Electronics

Largest Supplier of Electrical and Electronic Components

Click to view similar products for [RF Adapters - In Series](#) category:

Click to view products by [Radiall](#) manufacturer:

Other Similar products are found below :

[5919-1503-000](#) [5919-9503-000](#) [651A505](#) [7122-1502-000](#) [9030-9523-502](#) [932A505](#) [PN2C](#) [A0407000](#) [R114703000](#) [R114703000W](#)
[R114753000](#) [R125704000](#) [R127871001](#) [R141704000W](#) [R141710000W](#) [R141723161](#) [R141730000](#) [R141770000](#) [R142704000W](#)
[R142720000](#) [R142720700](#) [R143730700](#) [R143770000](#) [R161703000W](#) [R161730000](#) [R161730000W](#) [R161753000W](#) [R161791530W](#)
[R176770000](#) [R201705000](#) [R222705200](#) [R222M40010W](#) [R222M40050](#) [R223703020](#) [R223703080](#) [R316754000](#) [AD78TL](#) [HRM-513S](#)
[1996352-2](#) [2157155-1](#) [2101130-1](#) [R114704000W](#) [R114720000W](#) [R125705000](#) [R125705001](#) [R125705701](#) [R125771000](#) [R125791501W](#)
[R127703001](#) [R127704001](#)