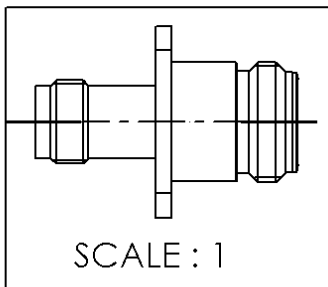
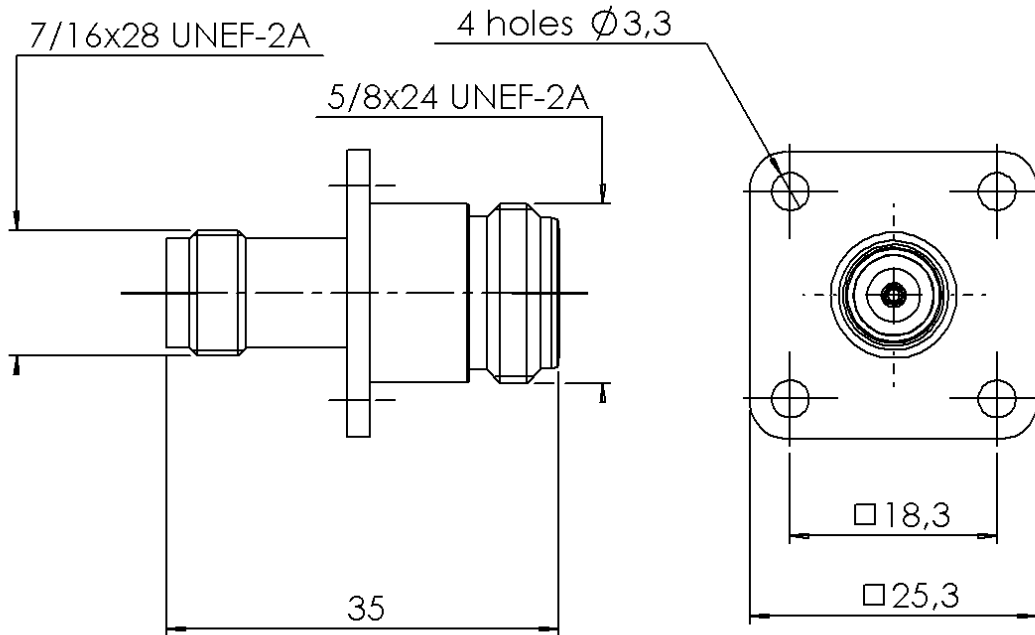


**TNC FEMALE - N FEMALE SQUARE FLANGE  
STRAIGHT ADAPTER**

**R191.514.000**

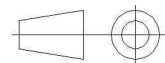
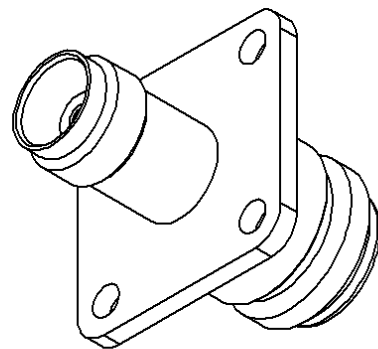
Série : ADAPT



**PANEL CUT OUT**

A DIA  
B DIA  
4 holes  
C

|   | mm    |       |
|---|-------|-------|
|   | Maxi  | mini  |
| A | 16.3  | 16.2  |
| B | 3.35  | 3.15  |
| C | 18.35 | 18.15 |



All dimensions are in mm.

| COMPONENTS     | MATERIALS        | PLATING (µm)           |
|----------------|------------------|------------------------|
| BODY           | BRASS            | NICKEL 2               |
| CENTER CONTACT | BERYLLIUM COPPER | GOLD 0.5 OVER NICKEL 2 |
| OUTER CONTACT  | BRASS            | NICKEL 2               |
| INSULATOR      | PTFE             |                        |
| GASKET         | -                | -                      |
| OTHERS PARTS   | -                | -                      |
| -              | -                | -                      |
| -              | -                | -                      |

Issue : 0812 B

In the effort to improve our products, we reserve the rights to make changes judged to be necessary.



**TNC FEMALE - N FEMALE SQUARE FLANGE**

**R191.514.000**

**STRAIGHT ADAPTER**

Série : ADAPT

**PACKAGING**

| Standard | Unit | Other             |
|----------|------|-------------------|
| <b>1</b> |      | <b>Contact us</b> |

**SPECIFICATION**

**LEA 03COANO-OTNC**

**ELECTRICAL CHARACTERISTICS**

|                                 |                      |                              |
|---------------------------------|----------------------|------------------------------|
| Impedance                       |                      | <b>50</b> Ω                  |
| Frequency                       |                      | <b>0-11</b> GHz              |
| VSWR                            | <b>1.30 + 0,0000</b> | x F(GHz) Maxi                |
| Insertion loss                  |                      | <b>0.06</b> √F(GHz) dB Maxi  |
| RF leakage                      | - (                  | <b>101</b> - F(GHz)) dB Maxi |
| Voltage rating                  |                      | <b>500</b> Veff Maxi         |
| Dielectric withstanding voltage |                      | <b>1500</b> Veff mini        |
| Insulation resistance           |                      | <b>5000</b> MΩ mini          |

**ENVIRONMENTAL**

|               |                     |
|---------------|---------------------|
| Operating     | <b>-65/+165</b> °C  |
| Hermetic seal | <b>NA</b> Atm.cm3/s |
| Panel leakage | <b>NA</b>           |

**MECHANICAL CHARACTERISTICS**

|                            |  |                     |
|----------------------------|--|---------------------|
| Center contact retention   |  |                     |
| Axial force – Mating end   |  | <b>18</b> N mini    |
| Axial force – Opposite end |  | <b>18</b> N mini    |
| Torque                     |  | <b>NA</b> N.cm mini |

Recommended torque

|           |            |                |
|-----------|------------|----------------|
| Mating    | <b>N</b>   | <b>0</b> N.cm  |
|           | <b>TNC</b> | <b>0</b> N.cm  |
|           | <b>-</b>   | <b>0</b> N.cm  |
| Panel nut |            | <b>NA</b> N.cm |

|             |  |                        |
|-------------|--|------------------------|
| Mating life |  | <b>500</b> Cycles mini |
| Weight      |  | <b>33,0200</b> g       |

**OTHER CHARACTERISTICS**

**Issue : 0812 B**

In the effort to improve our products, we reserve the rights to make changes judged to be necessary.



**RADIALL**®

## X-ON Electronics

Largest Supplier of Electrical and Electronic Components

*Click to view similar products for* [RF Adapters - Between Series category:](#)

*Click to view products by* [Radiall manufacturer:](#)

Other Similar products are found below :

[5945-9503-000](#) [MCX/F-SMA/M](#) [R192417010](#) [ADBJ20-E1-BJ379](#) [ADM2](#) [ADPL75-A1-PL75](#) [242191](#) [9317505](#) [29-3835P](#) [AD130](#) [ADBJ20-E1-PL74](#) [ADBJ20-E2-BJ79](#) [ADBJ77-A1-PL375](#) [ADBJ77-E1-UPL20](#) [ADRMF370](#) [242215](#) [242228](#) [R125680000W](#) [R192430000](#) [UAD95](#) [1057367-1](#) [8311505](#) [R114704000](#) [R451034500](#) [R451030500](#) [R451543000](#) [HDVDPN](#) [ADBJ20-K1-PL20](#) [R451570000](#) [R451034000](#) [J9](#) [J3WE-5](#) [R451032500](#) [242201RP](#) [17K132-K00S5](#) [AD-RSMAF-RTNC](#) [53K156-K00N5](#) [02K119-K00E3](#) [29S132-K01N5](#) [53S156-K00N5](#) [02S119-S00E3](#) [28K132-K00N5](#) [02S109-K00S3](#) [27-8200TP](#) [242235](#) [ADBJ20-E1-BJ89](#) [000-2900](#) [321-102-003 \(SMA-50/2-H155/W1.03 AU\)](#) [1057377-1](#) [321-350-001 \(SMA-50-R/2-RG316/N2.01\)](#)