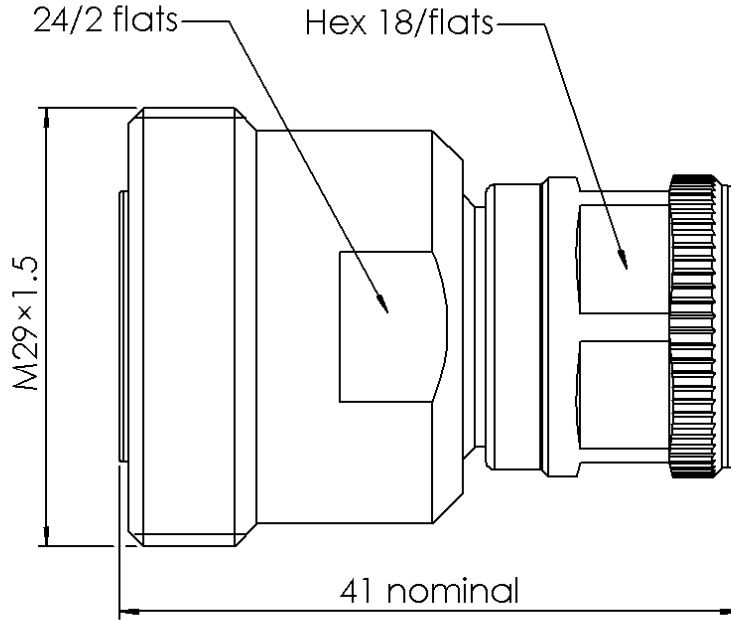


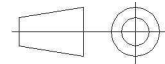
N MALE - 7/16 FEMALE STRAIGHT ADAPTER

R191.720.000

Series: **ADAPTER**



All dimensions are in mm.



| COMPONENTS | MATERIALS | PLATING (µm) |
|-----------------------|-------------------------|--------------------------------------|
| BODY | BRASS | BBR OVER SILVER |
| CENTER CONTACT | BERYLLIUM COPPER | SILVER PASSIVATED OVER COPPER |
| OUTER CONTACT | BRASS | SILVER PASSIVATED OVER COPPER |
| INSULATOR | PTFE | |
| GASKET | - | |
| OTHERS PARTS | BRASS | BBR |
| - | - | - |
| - | - | - |

Issue : 1238 D

In the effort to improve our products, we reserve the rights to make changes judged to be necessary.



N MALE - 7/16 FEMALE STRAIGHT ADAPTER

R191.720.000

Series: **ADAPTER**

PACKAGING

| Standard | Unit | Other |
|----------|------|-------------------|
| 1 | - | Contact us |

SPECIFICATION

ELECTRICAL CHARACTERISTICS

| | | |
|---------------------------------|----------------------|--------------------------|
| Impedance | 50 | Ω |
| Frequency | 0-7.5 | GHz |
| VSWR | 1.06 + 0,0000 | x F(GHz) Maxi |
| Insertion loss | 0.03 | \sqrt{F} (GHz) dB Maxi |
| RF leakage | - (NA) | - F(GHz)) dB Maxi |
| Voltage rating | 1400 | Veff Maxi |
| Dielectric withstanding voltage | 2500 | Veff mini |
| Insulation resistance | 5000 | M Ω mini |

ENVIRONMENTAL

| | | |
|---------------|-----------------|--------------|
| Operating | -55/+155 | $^{\circ}$ C |
| Hermetic seal | NA | Atm.cm3/s |
| Panel leakage | NA | |

OTHER CHARACTERISTICS

VSWR:1.03 max at 0-3GHz
 PIM3<-120dBm under 2 carriers of +43dBm

MECHANICAL CHARACTERISTICS

| | | |
|----------------------------|----------------|-----------------|
| Center contact retention | | |
| Axial force – Mating end | 68 | N mini |
| Axial force – Opposite end | 68 | N mini |
| Torque | NA | N.cm mini |
| Recommended torque | | |
| Mating | 7/16 | 0 N.cm |
| | N | 130 N.cm |
| | - | 0 N.cm |
| Panel nut | NA | N.cm |
| Mating life | 500 | Cycles mini |
| Weight | 84,5000 | g |

Issue : 1238 D

In the effort to improve our products, we reserve the rights to make changes judged to be necessary.



X-ON Electronics

Largest Supplier of Electrical and Electronic Components

Click to view similar products for [RF Adapters - Between Series category](#):

Click to view products by [Radiall manufacturer](#):

Other Similar products are found below :

[5945-9503-000](#) [MCX/F-SMA/M](#) [R192417010](#) [ADBJ20-E1-BJ379](#) [ADM2](#) [ADPL75-A1-PL75](#) [242191](#) [9317505](#) [29-3835P](#) [AD130](#) [ADBJ20-E1-PL74](#) [ADBJ20-E2-BJ79](#) [ADBJ77-E1-UPL20](#) [ADRMF370](#) [242215](#) [242228](#) [R125680000W](#) [R192430000](#) [UAD95](#) [1057367-1](#) [8311505](#) [R114704000](#) [R451034500](#) [R451030500](#) [R451543000](#) [HDVDPN](#) [ADBJ20-K1-PL20](#) [R451570000](#) [R192419000](#) [R451034000](#) [J9](#) [J3WE-5](#) [R451032500](#) [242201RP](#) [17K132-K00S5](#) [AD-RSMAF-RTNC](#) [53K156-K00N5](#) [02K119-K00E3](#) [29S132-K01N5](#) [53S156-K00N5](#) [02S119-S00E3](#) [28K132-K00N5](#) [02S109-K00S3](#) [27-8200TP](#) [242235](#) [ADBJ20-E1-BJ89](#) [000-2900](#) [321-102-003 \(SMA-50/2-H155/W1.03 AU\)](#) [1057377-1](#) [321-350-001 \(SMA-50-R/2-RG316/N2.01\)](#)