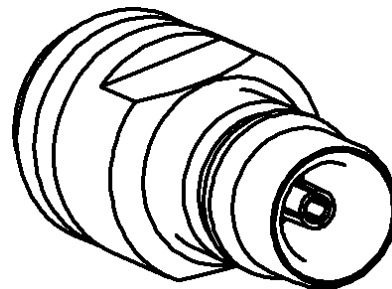
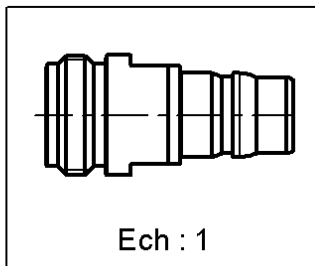
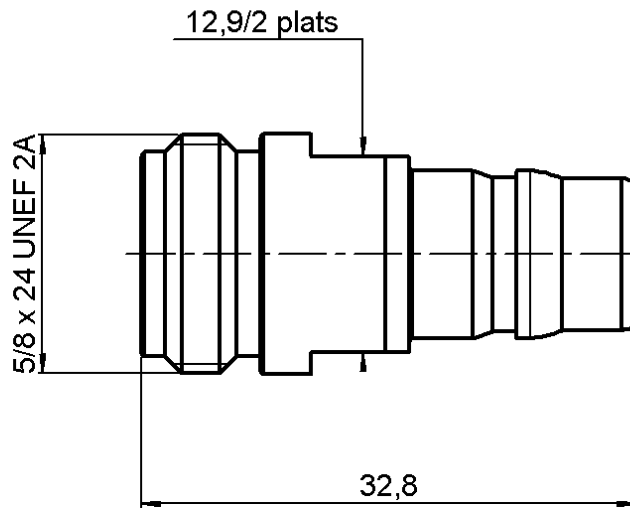


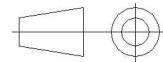
QN FEMALE - N FEMALE ADAPTER

R191.760.000

Série : ADAPT



All dimensions are in mm.



| COMPONENTS | MATERIALS | PLATINGS (µm) |
|----------------|------------------|-------------------------------------|
| BODY | BRASS | BBR 0.5 OVER SILVER 3 |
| CENTER CONTACT | BERYLLIUM COPPER | SILVER 5 PASSIVATED OVER COPPER 0.5 |
| OUTER CONTACT | | |
| INSULATOR | PTFE | |
| GASKET | | |
| OTHERS PARTS | | |
| - | - | - |
| - | - | - |

Issue : 0505 B

In the effort to improve our products, we reserve the rights to make changes judged to be necessary.



QN FEMALE - N FEMALE ADAPTER

R191.760.000

Série : ADAPT

PACKAGING

| Standard | Unit | Other |
|----------|------|-------------------|
| 1 | - | Contact us |

SPECIFICATION

ELECTRICAL CHARACTERISTICS

| | | |
|---------------------------------|---------------|-------------------------------|
| Impedance | | 50 Ω |
| Frequency | | 0-6* GHz |
| VSWR | 1.05 + | 0.025 x F(GHz) Maxi |
| Insertion loss | | 0.048 √F(GHz) dB Maxi |
| RF leakage | - (| **90 - F(GHz)) dB Maxi |
| Voltage rating | | 1400 Veff Maxi |
| Dielectric withstanding voltage | | 2500 Veff mini |
| Insulation resistance | | 5000 MΩ mini |

ENVIRONMENTAL

| | |
|---------------|---------------------|
| Operating | -55/+125 °C |
| Hermetic seal | NA Atm.cm3/s |
| Panel leakage | NA |

MECHANICAL CHARACTERISTICS

| | | |
|----------------------------|--|---------------------|
| Center contact retention | | |
| Axial force – Mating end | | 27 N mini |
| Axial force – Opposite end | | 27 N mini |
| Torque | | NA N.cm mini |

Recommended torque

| | | |
|-----------|-----------|---------------|
| Mating | N | 0 N.cm |
| | QN | 0 N.cm |
| | | 0 N.cm |
| Panel nut | | N.cm |

| | |
|-------------|------------------------|
| Mating life | 100 Cycles mini |
| Weight | 26.700 g |

OTHERS CHARACTERISTICS

- * usable 0-11GHz
- **RF Leakage: -80dB min 3<F<6GHz
- ***PIM3: -112 dBm (2 x 20W at 1.8GHz)

Issue : 0505 B

In the effort to improve our products, we reserve the rights to make changes judged to be necessary.



X-ON Electronics

Largest Supplier of Electrical and Electronic Components

Click to view similar products for [RF Adapters - Between Series category](#):

Click to view products by [Radiall manufacturer](#):

Other Similar products are found below :

[5945-9503-000](#) [MCX/F-SMA/M](#) [R192417010](#) [ADBJ20-E1-BJ379](#) [ADM2](#) [ADPL75-A1-PL75](#) [242191](#) [9317505](#) [29-3835P](#) [AD130](#) [ADBJ20-E1-PL74](#) [ADBJ20-E2-BJ79](#) [ADBJ77-E1-UPL20](#) [ADRMF370](#) [242215](#) [242228](#) [R125680000W](#) [R192430000](#) [UAD95](#) [1057367-1](#) [8311505](#) [R114704000](#) [R451034500](#) [R451030500](#) [R451543000](#) [HDVDPN](#) [ADBJ20-K1-PL20](#) [R451570000](#) [R192419000](#) [R451034000](#) [J9](#) [J3WE-5](#) [R451032500](#) [242201RP](#) [17K132-K00S5](#) [AD-RSMAF-RTNC](#) [53K156-K00N5](#) [02K119-K00E3](#) [29S132-K01N5](#) [53S156-K00N5](#) [02S119-S00E3](#) [28K132-K00N5](#) [02S109-K00S3](#) [27-8200TP](#) [242235](#) [ADBJ20-E1-BJ89](#) [000-2900](#) [321-102-003 \(SMA-50/2-H155/W1.03 AU\)](#) [1057377-1](#) [321-350-001 \(SMA-50-R/2-RG316/N2.01\)](#)