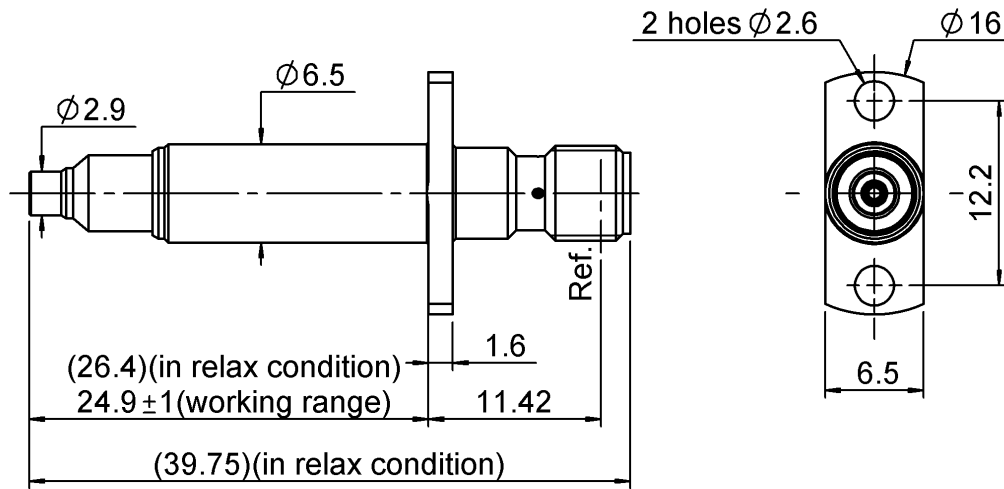
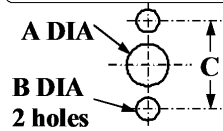


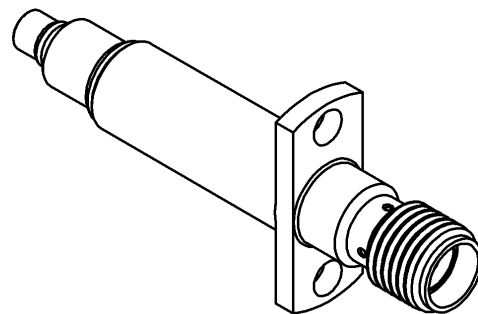
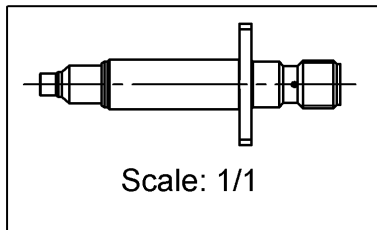
PAGE 1/3	ISSUE 1344A	SERIES ADAPT	PART NUMBER R191844800
----------	-------------	--------------	------------------------



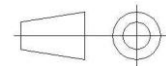
**PANEL CUT OUT**



	mm	
	Maxi	mini
A	6.8	6.75
B	2.7	2.6
C	12.25	12.15



All dimensions are in mm.



COMPONENTS	MATERIALS	PLATING (µm)
Body	<b>BRASS</b>	<b>GOLD OVER NICKEL, NPGR</b>
Center contact	<b>BERYLLIUM COPPER, BRASS</b>	<b>GOLD OVER NICKEL, NPGR</b>
Outer contact		
Insulator	<b>PTFE</b>	
Gasket		
Others parts	<b>STAINLESS STEEL</b>	
-	-	-
-	-	-

PAGE <b>2/3</b>	ISSUE <b>1344A</b>	SERIES <b>ADAPT</b>	PART NUMBER <b>R191844800</b>
-----------------	--------------------	---------------------	-------------------------------

**PACKAGING**

Standard	Unit	Other
<b>1</b>	<b>Contact us</b>	<b>Contact us</b>

**ELECTRICAL CHARACTERISTICS**

Impedance		<b>50</b>	$\Omega$
Frequency		<b>0-15</b>	GHz
VSWR	<b>1.05</b>	<b>+</b>	<b>0.045</b> x F(GHz) Maxi
Insertion loss			<b>0.15*</b> $\sqrt{F}$ (GHz) dB Maxi
RF leakage		<b>- (</b>	<b>NA</b> - F(GHz) dB Maxi
Voltage rating			<b>NA</b> Veff Maxi
Dielectric withstanding voltage			<b>NA</b> Veff mini
Insulation resistance			<b>5000</b> M $\Omega$ mini

**ENVIRONMENTAL**

Operating	<b>-40/+80</b>	$^{\circ}\text{C}$
Hermetic seal	<b>NA</b>	Atm.cm3/s
Panel leakage	<b>NA</b>	

**MECHANICAL CHARACTERISTICS**

Center contact retention			
Axial force – Mating End		<b>NA**</b>	N mini
Axial force – Opposite end		<b>NA</b>	N mini
Torque		<b>NA</b>	N.cm mini
Recommended torque			
Mating		<b>0</b>	N.cm
		<b>0</b>	N.cm
		<b>0</b>	N.cm
Panel nut			N.cm
Mating life	<b>100000</b>		Cycles mini
Weight	<b>6.300</b>		g

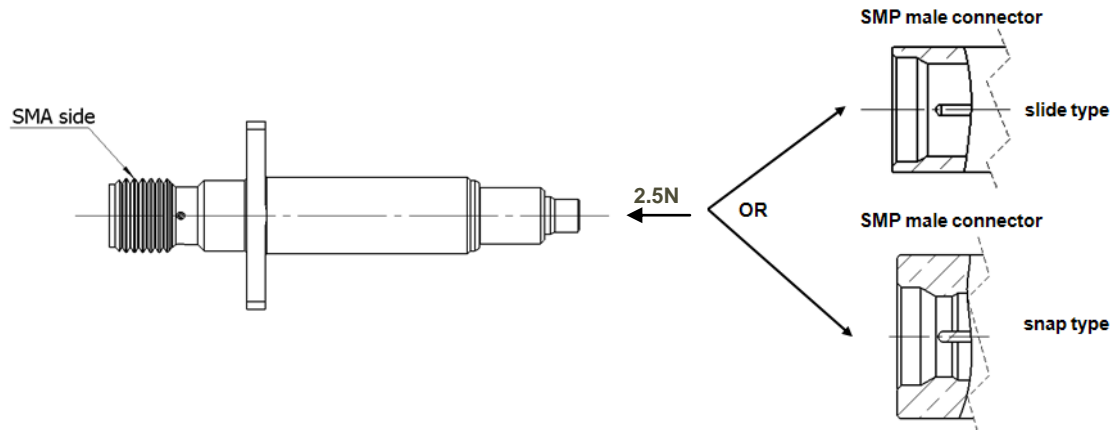
**SPECIFICATION**

**OTHER CHARACTERISTICS**

**\*Coaxial Transmission Line Only**  
**\*\*Action mating force for the spring : 6N max**

PAGE 3/3	ISSUE 1344A	SERIES ADAPT	PART NUMBER R191844800
----------	-------------	--------------	------------------------

**INSTRUCTION FOR USE**



1. Connect the SMA side of the adapter with the measurement test equipment.
2. Mate the SMP connector with the adapter by pushing the SMP connector with a minimum force of 2.5N.

## X-ON Electronics

Largest Supplier of Electrical and Electronic Components

*Click to view similar products for* [RF Adapters - Between Series category:](#)

*Click to view products by* [Radiall manufacturer:](#)

Other Similar products are found below :

[5945-9503-000](#) [MCX/F-SMA/M](#) [R192417010](#) [ADBJ20-E1-BJ379](#) [ADM2](#) [ADPL75-A1-PL75](#) [242191](#) [9317505](#) [29-3835P](#) [AD130](#) [ADBJ20-E1-PL74](#) [ADBJ20-E2-BJ79](#) [ADBJ77-A1-PL375](#) [ADBJ77-E1-UPL20](#) [ADRMF370](#) [242215](#) [242228](#) [R125680000W](#) [R192430000](#) [UAD95](#) [1057367-1](#) [8311505](#) [R114704000](#) [R451034500](#) [R451030500](#) [R451543000](#) [HDVDPN](#) [ADBJ20-K1-PL20](#) [R451570000](#) [R451034000](#) [J9](#) [J3WE-5](#) [R451032500](#) [242201RP](#) [17K132-K00S5](#) [AD-RSMAF-RTNC](#) [53K156-K00N5](#) [02K119-K00E3](#) [29S132-K01N5](#) [53S156-K00N5](#) [02S119-S00E3](#) [28K132-K00N5](#) [02S109-K00S3](#) [27-8200TP](#) [242235](#) [ADBJ20-E1-BJ89](#) [000-2900](#) [321-102-003 \(SMA-50/2-H155/W1.03 AU\)](#) [1057377-1](#) [321-350-001 \(SMA-50-R/2-RG316/N2.01\)](#)