

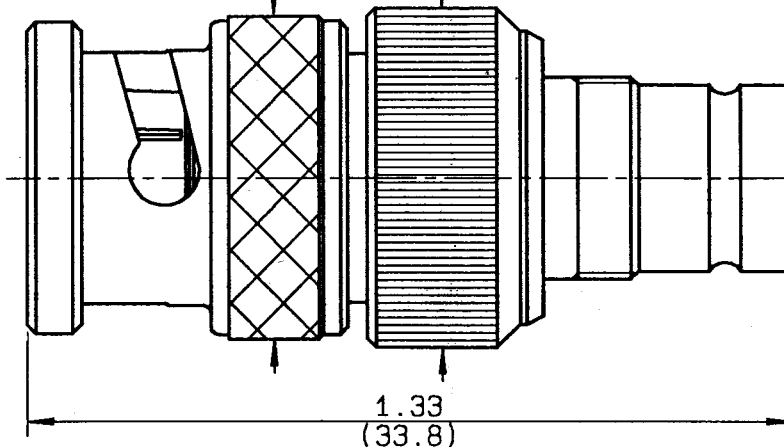
ADAPTOR BNC MALE - DIN 1.6-5.6  
FEMALE

Series : ADAPT

1 / 1

.563 DIA on diamond knurl  
ø14.3 sur moletage croise

.591 DIA on straight knurl  
ø15 sur moletage droit



CABLES : -

CHARACTERISTICS

NOMINAL IMPEDANCE	75 Ω
FREQUENCY RANGE	0-1 GHz
TEMPERATURE RATING	-40/+155 °C
VSWR	1.15 + 0.1 x F(GHz)Max1
R.F. INSERTION LOSS	-0.1 dB Max1
VOLTAGE RATING	- Vrms Max
DIELECTRIC WITHSTANDING VOLTAGE	1000 Vrms min
INSULATION RESISTANCE	5000 MΩ min
HERMETIC SEAL	- cc/s - Atm.cm3/s
LEAKAGE (pressurized only)	- psi - MPa
WEIGHT	0 Oz - g

STANDARDISATION

CABLE RETENTION	0	lb min
	-	N
CENTER CONTACT RETENTION		
Axial force - mating	6.06	lb min
	27	N
Axial force - opposite end	6.06	lb min
	27	N
Torque (Min)	0	Inch.oz
	-	cm.N
RECOMMENDED TORQUES		
Mating	0	inch.lb
	-	cm.N
Panel nut	0	inch.lb
	-	cm.N
Clamp nut	0	inch.lb
	-	cm.N

CONSTRUCTION

CONNECTOR PARTS	MATERIALS	FINISH
BODY	BRASS	NICKEL
OUTER CONTACT	BRASS	NICKEL
CENTER CONTACT	BERYLLIUM COPPER	GOLD
INSULATOR	PTFE	-
-	-	-
-	-	-
-	-	-
-	-	-
-	-	-

ISSUE	REVISION No	DESCRIPTION	BY	DATE
-	-	-	-	-
-	-	-	-	-
9524	-	Added the VSWR value.	FANJAT	12-13-95

Initiated on 03/12/81  
Approval by GUERIN

The information given here is subject to change without notice. Design changes may be in order to improve the product.



## X-ON Electronics

Largest Supplier of Electrical and Electronic Components

*Click to view similar products for* [RF Adapters - Between Series category:](#)

*Click to view products by* [Radiall manufacturer:](#)

Other Similar products are found below :

[5945-9503-000](#) [MCX/F-SMA/M](#) [R192417010](#) [ADBJ20-E1-BJ379](#) [ADM2](#) [ADPL75-A1-PL75](#) [242191](#) [9317505](#) [29-3835P](#) [AD130](#) [ADBJ20-E1-PL74](#) [ADBJ20-E2-BJ79](#) [ADBJ77-E1-UPL20](#) [ADRMF370](#) [242215](#) [242228](#) [R125680000W](#) [R192430000](#) [UAD95](#) [1057367-1](#) [8311505](#) [R114704000](#) [R451034500](#) [R451030500](#) [R451543000](#) [HDVDPN](#) [ADBJ20-K1-PL20](#) [R451570000](#) [R192419000](#) [R451034000](#) [J9](#) [J3WE-5](#) [R451032500](#) [242201RP](#) [17K132-K00S5](#) [AD-RSMAF-RTNC](#) [53K156-K00N5](#) [02K119-K00E3](#) [29S132-K01N5](#) [53S156-K00N5](#) [02S119-S00E3](#) [28K132-K00N5](#) [02S109-K00S3](#) [27-8200TP](#) [242235](#) [ADBJ20-E1-BJ89](#) [000-2900](#) [321-102-003 \(SMA-50/2-H155/W1.03 AU\)](#) [1057377-1](#) [321-350-001 \(SMA-50-R/2-RG316/N2.01\)](#)