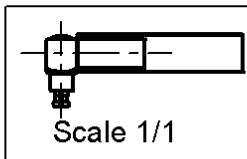
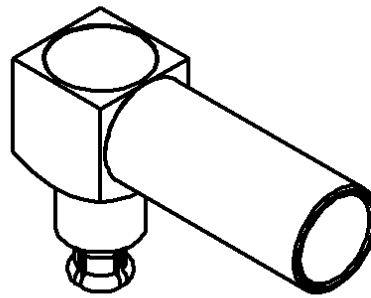
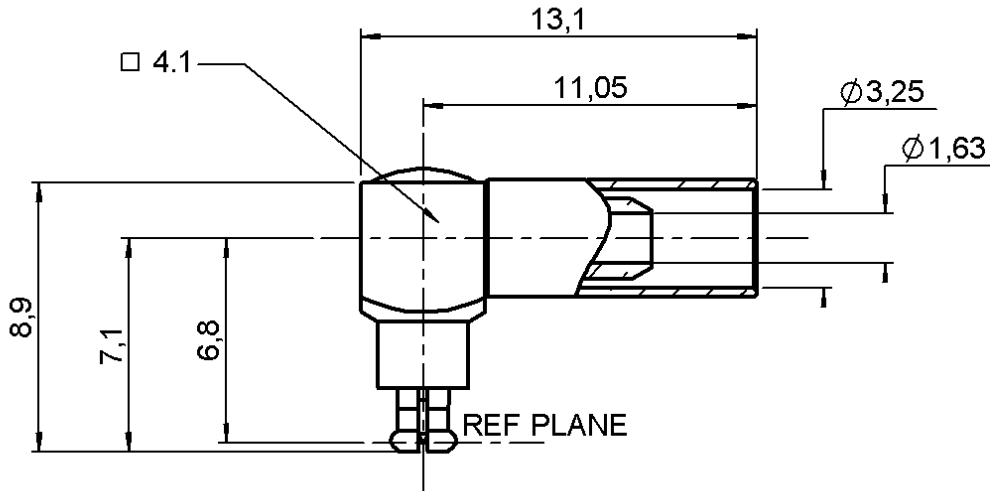


RIGHT ANGLE PLUG CRIMP TYPE

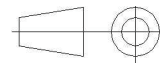
CABLE 2.6/50 S

R199.005.250

Series : MC-CARD



All dimensions are in mm.



| COMPONENTS | MATERIALS | PLATINGS (µm) |
|----------------|------------------|------------------------|
| BODY | BRASS | NICKEL 2 |
| CENTER CONTACT | BRASS | GOLD 0.5 OVER NICKEL 2 |
| OUTER CONTACT | BERYLLIUM COPPER | GOLD 1.3 OVER NICKEL 2 |
| INSULATOR | PTFE | |
| GASKET | - | |
| OTHERS PARTS | BRASS | NICKEL 2 |
| - | - | - |
| - | - | - |

Issue : 0450 B

In the effort to improve our products, we reserve the right to make changes judged to be necessary.



RIGHT ANGLE PLUG CRIMP TYPE

R199.005.250

CABLE 2.6/50 S

Series : **MC-CARD**

PACKAGING

| Standard | Unit | Other |
|----------|------|-------------------|
| - | - | Contact us |

SPECIFICATION

ELECTRICAL CHARACTERISTICS

| | | |
|---------------------------------|---------------|-----------------------------|
| Impedance | | 50 Ω |
| Frequency | | 0-8 GHz |
| VSWR | 1.15 + | 0.015 x F(GHz) Maxi |
| Insertion loss | | .07 √F(GHz) dB Maxi |
| RF leakage | - (| 65 - F(GHz)) dB Maxi |
| Voltage rating | | 170 Veff Maxi |
| Dielectric withstanding voltage | | 500 Veff mini |
| Insulation resistance | | 5000 MΩ mini |

CABLE ASSEMBLY

| Stripping | a | b | c | d | e | f |
|-----------|------|------|------|------|------|------|
| mm | 2.00 | 6.00 | 8.00 | 0.00 | 0.00 | 0.00 |

Assembly instruction : **Crimp 05**

Recommended cable(s)
 RG 188
 KX 22A
 RG 316

Cable retention
 - pull off **110** N mini
 - torque **NA** N.cm

MECHANICAL CHARACTERISTICS

| | | |
|----------------------------|-----------|-----------|
| Center contact retention | | |
| Axial force – Mating end | 10 | N mini |
| Axial force – Opposite end | 10 | N mini |
| Torque | NA | N.cm mini |

TOOLING

| Part Number | Description | Hexagon |
|--------------|---------------|---------|
| . | . | . |
| R282.211.000 | CRIMPING TOOL | 3.25 |
| R282.235.003 | CRIMPING DIES | 3.25 |
| R282.293.000 | CRIMPING TOOL | |

| | | |
|--------------------|--------------|------|
| Recommended torque | | |
| Mating | NA | N.cm |
| Panel nut | NA | N.cm |
| Clamp nut | NA | N.cm |
| A/F clamp nut | 0.000 | mm |

OTHERS CHARACTERISTICS

| | | |
|-------------|--------------|-------------|
| Mating life | 1000 | Cycles mini |
| Weight | 0.990 | g |

ENVIRONMENTAL

| | | |
|-----------------------|-----------------|-----------|
| Operating temperature | -65/+165 | °C |
| Hermetic seal | NA | Atm.cm3/s |
| Panel leakage | NA | |

Issue : **0450 B**

In the effort to improve our products, we reserve the right to make changes judged to be necessary.



X-ON Electronics

Largest Supplier of Electrical and Electronic Components

Click to view similar products for [RF Connectors / Coaxial Connectors](#) category:

Click to view products by [Radiall](#) manufacturer:

Other Similar products are found below :

[8915-1511-000](#) [89674-0827](#) [6001-7071-019](#) [6002-7051-003](#) [6002-7551-202](#) [6059674-1](#) [619550-1](#) [630059-000](#) [M39030/3-01N](#) [6500-7071-046](#) [6769](#) [CX050L2AQ](#) [7002-1541-010](#) [7002-1542-011](#) [7004-1512-000](#) [7009-1511-004](#) [7010-1511-000](#) [7029-1511-060](#) [7101-1541-010](#) [7101-1571-002](#) [7145-1521-002](#) [7203-1571-003](#) [7209-1511-011](#) [7210-1511-015](#) [7210-1511-019](#) [73137-5015](#) [73216-2241](#) [73404-2300](#) [7405-1521-005](#) [7405-1521-802](#) [8527](#) [8547](#) [FS11V](#) [877931](#) [9049-9513-000](#) [9074-9513-000](#) [9101-9573-002](#) [910A205F](#) [9130-9573-002](#) [PL11SC-026](#) [PL375-33](#) [PL40-5](#) [PL74C-221](#) [PL75MC-217](#) [PL803-7](#) [980-8666-005](#) [1200690078](#) [1-201144-1](#) [R107003010W](#) [R110A172100](#)