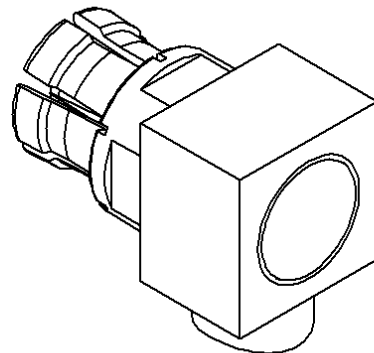
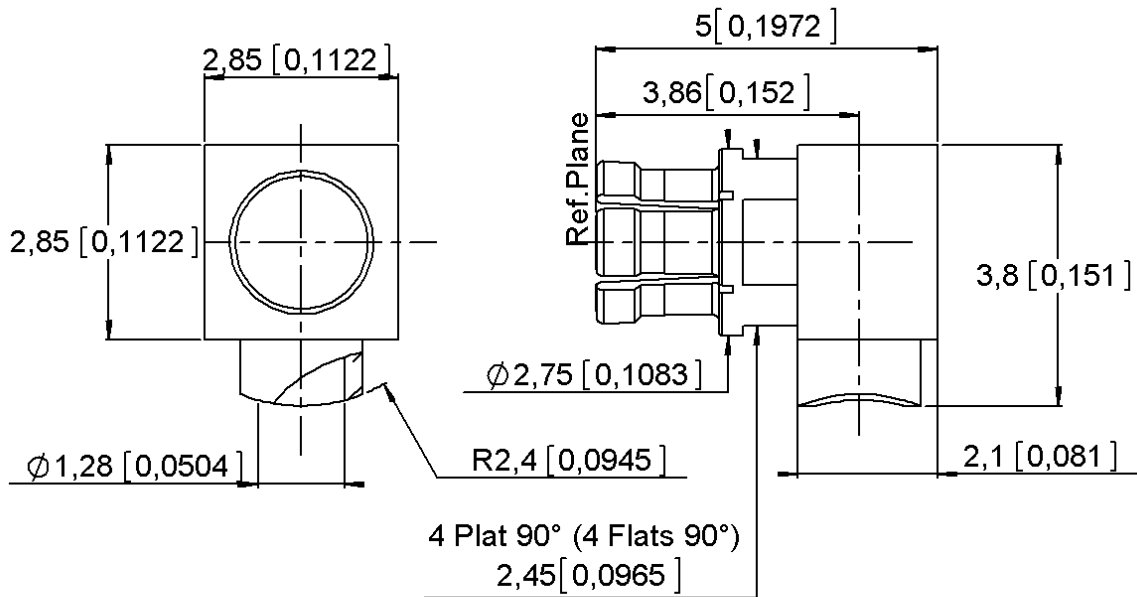



**RIGHT ANGLE FEMALE CONNECTOR**

**R201.151.000**

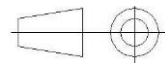
**SOLDER CABLE .047**

Series : **SMPM**



  
Scale : 1/1

All dimensions are in mm.



COMPONENTS	MATERIALS	PLATING ( $\mu\text{m}$ )
BODY	BERYLLIUM COPPER	GOLD 1.3 OVER NICKEL2
CENTER CONTACT	BERYLLIUM COPPER	GOLD 1.3 OVER NICKEL2
OUTER CONTACT	-	-
INSULATOR	PEEK	-
GASKET	-	-
OTHERS PARTS	BRASS	GOLD 1.3 OVER NICKEL2
-	-	-
-	-	-

Issue : 16-02-15A

In the effort to improve our products, we reserve the right to make changes judged to be necessary.



**RIGHT ANGLE FEMALE CONNECTOR**

**R201.151.000**

**SOLDER CABLE .047**

Series : **SMPM**

**PACKAGING**

Standard	Unit	Other
<b>100</b>	<b>'W' option</b>	<b>Contact us</b>

**SPECIFICATION**

**ELECTRICAL CHARACTERISTICS**

Impedance		<b>50</b> Ω
Frequency		<b>0-18</b> GHz
VSWR	<b>*1.3 +</b>	<b>0,0000</b> x F(GHz) Maxi
Insertion loss		<b>0.12</b> √F(GHz) dB Maxi
RF leakage	- (	<b>NA</b> - F(GHz)) dB Maxi
Voltage rating		<b>335</b> Veff Maxi
Dielectric withstanding voltage		<b>500</b> Veff mini
Insulation resistance		<b>5000</b> MΩ mini

**CABLE ASSEMBLY**

Stripping	a	b	c	d	e	f
mm	1,60	0,00	0,00	0,00	0,00	0,00

Assembly instruction :

Recommended cable(s)  
UT47 M17/151-00001

**MECHANICAL CHARACTERISTICS**

Center contact retention		
Axial force – Mating end	<b>6.7</b>	N mini
Axial force – Opposite end	<b>6.7</b>	N mini
Torque	<b>NA</b>	N.cm mini

Characteristics indicated on this data sheet are those that can be achieved with the highest performance cable. Intrinsic limitations of the cable may diminish the performance of the assembly

Cable retention

- pull off	<b>45</b>	N mini
- torque	<b>NA</b>	N.cm

**TOOLING**

Recommended torque		
Mating	<b>NA</b>	N.cm
Panel nut	<b>NA</b>	N.cm
Clamp nut	<b>NA</b>	N.cm
A/F clamp nut	<b>0,0000</b>	mm

Part Number	Description	Hexagon
R282740020	SOLDERING MOUNTING	

Mating life	<b>500</b>	Cycles mini
Weight	<b>0,2000</b>	g

**OTHER CHARACTERISTICS**

\*VSWR 1.25 TO 12 GHz

**ENVIRONMENTAL**

Operating temperature	<b>-40/+100</b>	° C
Hermetic seal	<b>NA</b>	Atm.cm3/s
Panel leakage	<b>NA</b>	

Issue : **16-02-15A**

In the effort to improve our products, we reserve the right to make changes judged to be necessary.

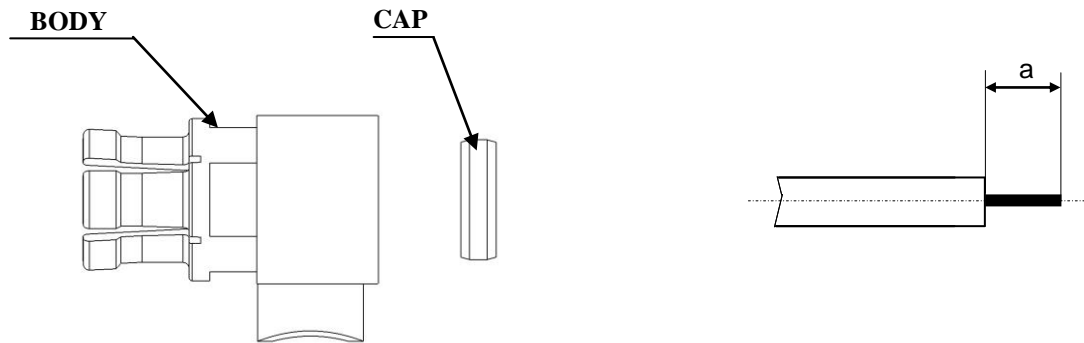


**RIGHT ANGLE FEMALE CONNECTOR**  
**SOLDER CABLE .047**

**R201.151.000**

Series : SMPM

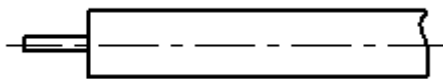
**COMPONENT**



**We recommend a cable thermal preconditioning before assembly**

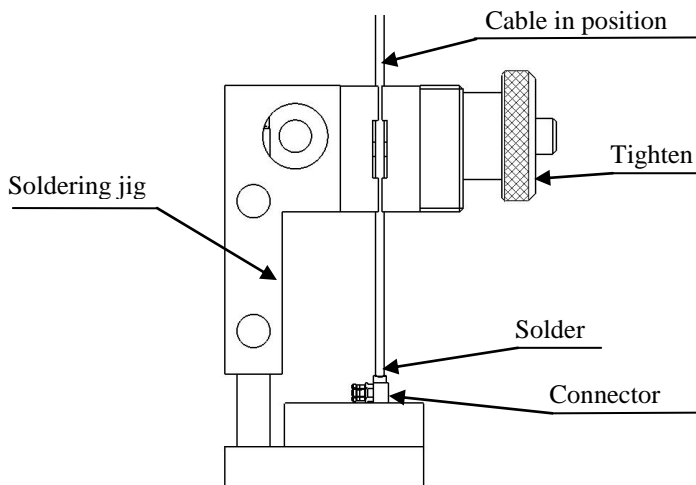
1

- Strip the cable.
- Clean the cable



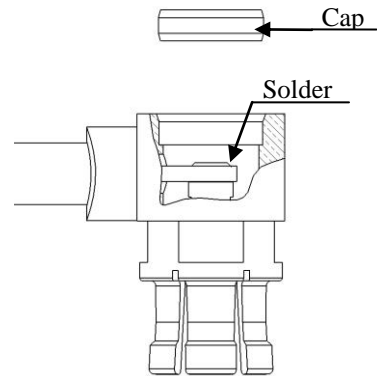
2

- Introduce the cable into the connector body until it stops.
- Place the sub assembly into the assembly and tighten it .
- Solder the body onto the cable.
- After cooling remove cable assembly from the jig.



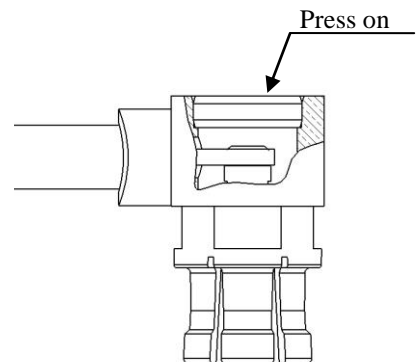
3

- Solder cable inner conductor into the centre contact.
- Clean soldering area



4

- Put the cap in its place.
- Press cap flush or slightly below surface of body assembly.



**Issue : 16-02-15A**

In the effort to improve our products, we reserve the right to make changes judged to be necessary.

## X-ON Electronics

Largest Supplier of Electrical and Electronic Components

*Click to view similar products for [RF Connectors](#) / [Coaxial Connectors](#) category:*

*Click to view products by [Radiall](#) manufacturer:*

Other Similar products are found below :

[8915-1511-000](#) [89674-0827](#) [6001-7071-019](#) [6002-7051-003](#) [6002-7551-202](#) [6059674-1](#) [619550-1](#) [630059-000](#) [M39030/3-01N](#) [6500-7071-046](#) [6769](#) [CX050L2AQ](#) [7002-1541-010](#) [7002-1542-011](#) [7004-1512-000](#) [7009-1511-004](#) [7010-1511-000](#) [7029-1511-060](#) [7101-1541-010](#) [7101-1571-002](#) [7145-1521-002](#) [7203-1571-003](#) [7209-1511-011](#) [7210-1511-015](#) [7210-1511-019](#) [73137-5015](#) [73216-2241](#) [73404-2300](#) [7405-1521-005](#) [7405-1521-802](#) [8527](#) [8547](#) [FS11V](#) [877931](#) [8808-1511-001](#) [9074-9513-000](#) [9101-9573-002](#) [910A205F](#) [9130-9573-002](#) [PL11SC-026](#) [PL375-33](#) [PL40-5](#) [PL74C-221](#) [PL75MC-217](#) [PL803-7](#) [1200690078](#) [1-201144-1](#) [R107003010W](#) [R110A172100](#) [R112186000](#)