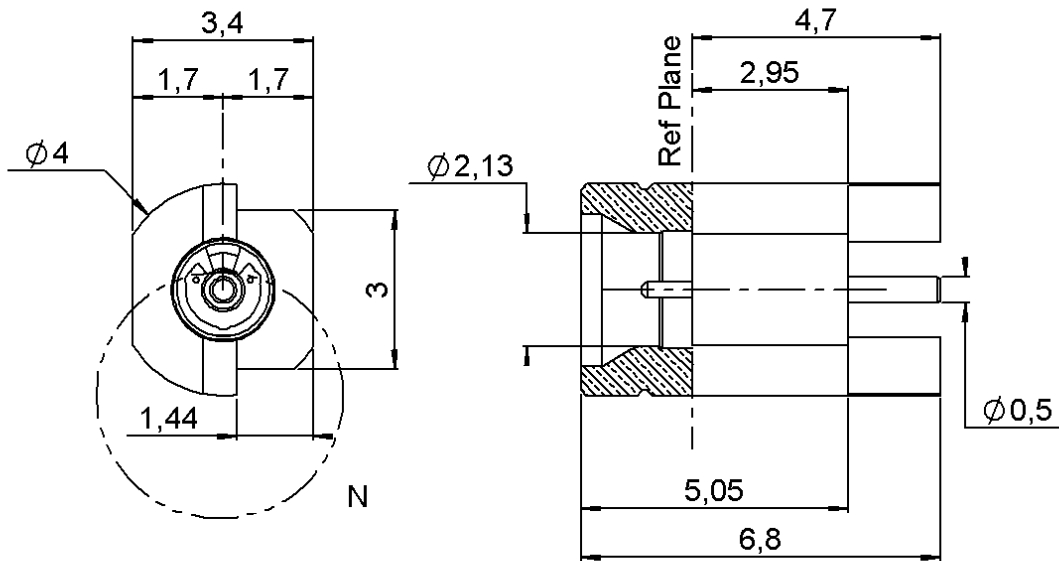



STRAIGHT MALE RECEPTACLE SMT
FULL DETENT-TAPE AND REEL BY 500

R201.423.110

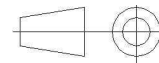
Series : SMPM




Scale 1/1

DETAIL N
DETAIL 14 : 1

All dimensions are in mm.



COMPONENTS	MATERIALS	PLATING (µm)
BODY	BERYLLIUM COPPER	GOLD 0.5 OVER NICKEL 2
CENTER CONTACT	BERYLLIUM COPPER	GOLD 0.5 OVER NICKEL 2
OUTER CONTACT		
INSULATOR	PEEK	
GASKET		
OTHERS PARTS		
-	-	-
-	-	-

Issue : 1349 B

In the effort to improve our products, we reserve the right to make changes judged to be necessary.



STRAIGHT MALE RECEPTACLE SMT
FULL DETENT-TAPE AND REEL BY 500

R201.423.110

Series : SMPM

PACKAGING

Standard	Unit	Other
500	'W' option	Contact us

SPECIFICATION

ELECTRICAL CHARACTERISTICS

Impedance		50 Ω
Frequency		0-40 GHz
VSWR	1.3* +	0,0000 x F(GHz) Maxi
Insertion loss		.12** √F(GHz) dB Maxi
RF leakage	- (TBD - F(GHz)) dB Maxi
Voltage rating		335 Veff Maxi
Dielectric withstanding voltage		500 Veff mini
Insulation resistance		5000 MΩ mini

ENVIRONMENTAL

Operating temperature	-65/+165 ° C
Hermetic seal	NA Atm.cm3/s
Panel leakage	NA

OTHER CHARACTERISTICS

Assembly instruction **NA**

Others :

*VSWR: 1.10(DC~26.5GHz);1.3(26.5~40GHz)

**Coaxial transmission line only

MECHANICAL CHARACTERISTICS

Center contact retention		
Axial force – Mating end		6.7 N mini
Axial force – Opposite end		6.7 N mini
Torque		NA N.cm mini
Recommended torque		
Mating		NA N.cm
Panel nut		NA N.cm
Mating life		100 Cycles mini
Weight		0,3500 g

Issue : 1349 B

In the effort to improve our products, we reserve the right to make changes judged to be necessary.



STRAIGHT MALE RECEPTACLE SMT
FULL DETENT-TAPE AND REEL BY 500

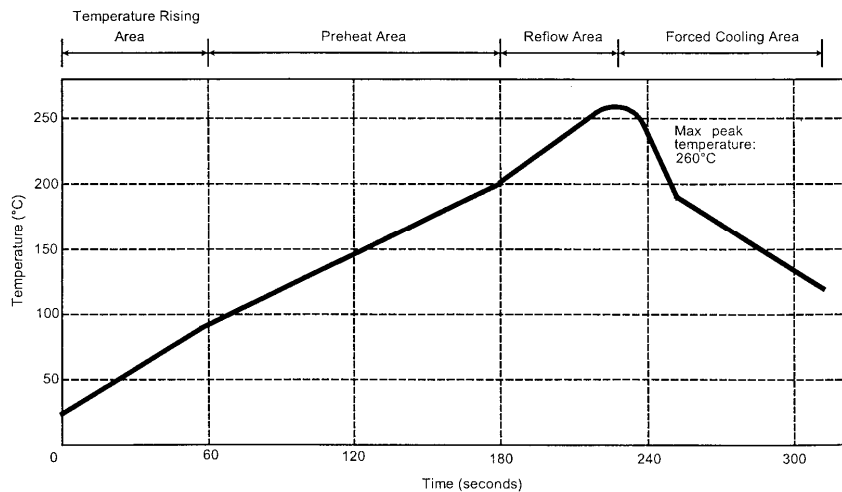
R201.423.110

Series : SMPM

SOLDER PROCEDURE

1. Deposit solder paste ‘SnAg4Cu0.5’ on mounting zone by screen printing application. We recommend a low residue flux.
We advise a thickness of 150 µm. Verify that the edges of the zone are clean.
2. Placement of the receptacle on the mounting zone with an automatic machine of ‘pick and place’ type. A video camera is recommended for positioning of the component . Adhesive agents must not be used on the receptacle.
3. This process of soldering has been tested with convection oven .Below please find ,the typical profile to use.
4. The cleaning of printed circuit boards is not obliged .
5. Verification of solder joints and position of the component by visual inspection.

TEMPERATURE PROFILE



Parameter	Value	Unit
Temperature rising Area	1 - 4	°C/sec
Max Peak Temperature	260	°C
Max dwell time @260°C	10	sec
Min dwell time @235°C	20	sec
Max dwell time @235°C	60	sec
Temperature drop in cooling Area	-1 to - 4	°C/sec
Max dwell time above 100°C	420	sec

Issue : 1349 B

In the effort to improve our products, we reserve the right to make changes judged to be necessary.

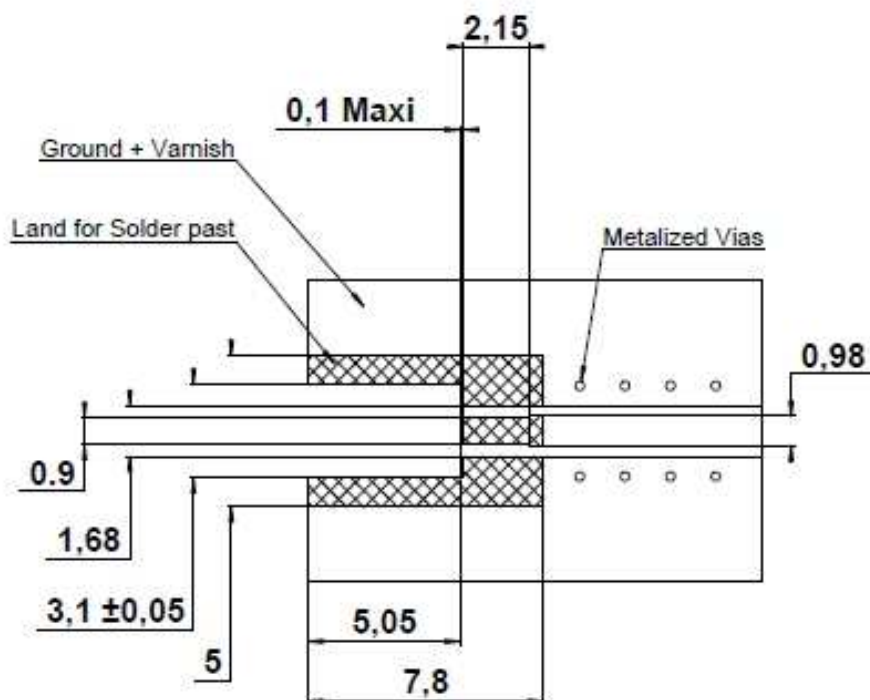


STRAIGHT MALE RECEPTACLE SMT
FULL DETENT-TAPE AND REEL BY 500

R201.423.110

Series : SMPM

Recommended PCB Mount



Dimensions applicable for Roger RO4350 PCB material
 thickness 0.508 mm , with ground layer on bottom .
 Applicable Frequency - DC to 12Ghz

Issue : 1349 B

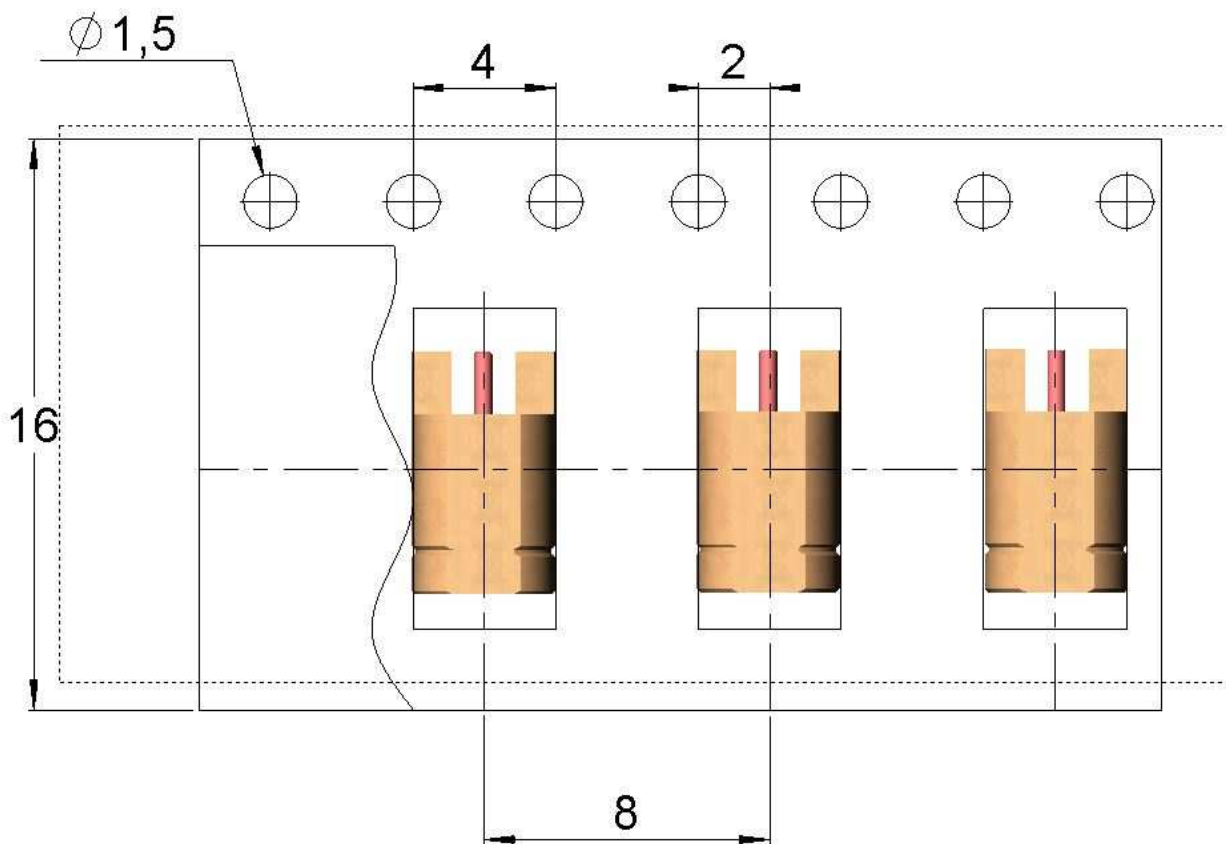
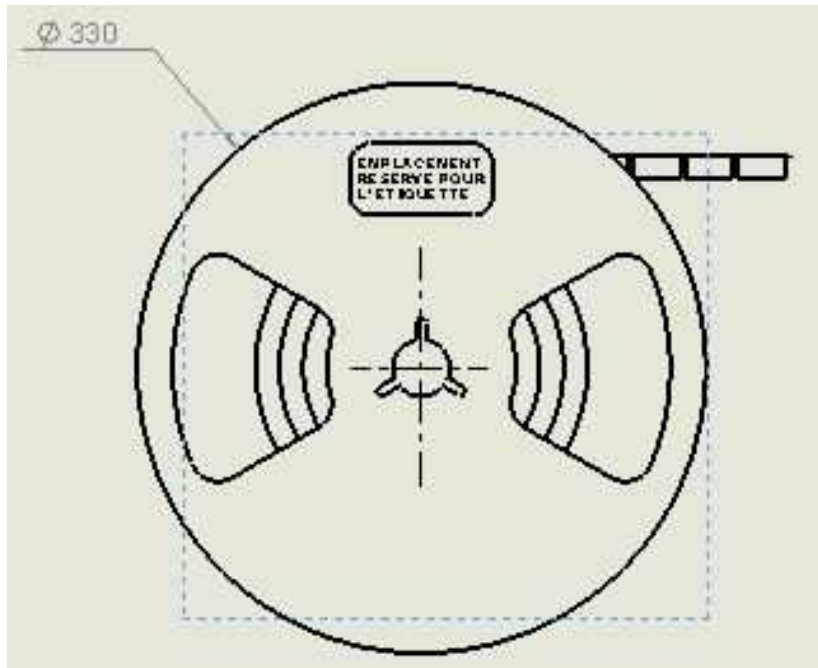
In the effort to improve our products, we reserve the right to make changes judged to be necessary.



STRAIGHT MALE RECEPTACLE SMT
FULL DETENT-TAPE AND REEL BY 500

R201.423.110

Series : SMPM



Issue : 1349 B

In the effort to improve our products, we reserve the right to make changes judged to be necessary.

X-ON Electronics

Largest Supplier of Electrical and Electronic Components

Click to view similar products for [RF Connectors / Coaxial Connectors](#) category:

Click to view products by [Radiall](#) manufacturer:

Other Similar products are found below :

[8915-1511-000](#) [89674-0827](#) [6001-7071-019](#) [6002-7051-003](#) [6002-7551-202](#) [6059674-1](#) [619550-1](#) [630059-000](#) [M39030/3-01N](#) [6500-7071-046](#) [6769](#) [CX050L2AQ](#) [7002-1541-010](#) [7002-1542-011](#) [7004-1512-000](#) [7009-1511-004](#) [7010-1511-000](#) [7029-1511-060](#) [7101-1541-010](#) [7101-1571-002](#) [7145-1521-002](#) [7203-1571-003](#) [7209-1511-011](#) [7210-1511-015](#) [7210-1511-019](#) [73137-5015](#) [73216-2241](#) [73404-2300](#) [7405-1521-005](#) [7405-1521-802](#) [8527](#) [8547](#) [FS11V](#) [877931](#) [8808-1511-001](#) [9074-9513-000](#) [9101-9573-002](#) [910A205F](#) [9130-9573-002](#) [PL11SC-026](#) [PL375-33](#) [PL40-5](#) [PL74C-221](#) [PL75MC-217](#) [PL803-7](#) [1200690078](#) [1-201144-1](#) [R107003010W](#) [R110A172100](#) [R112186000](#)