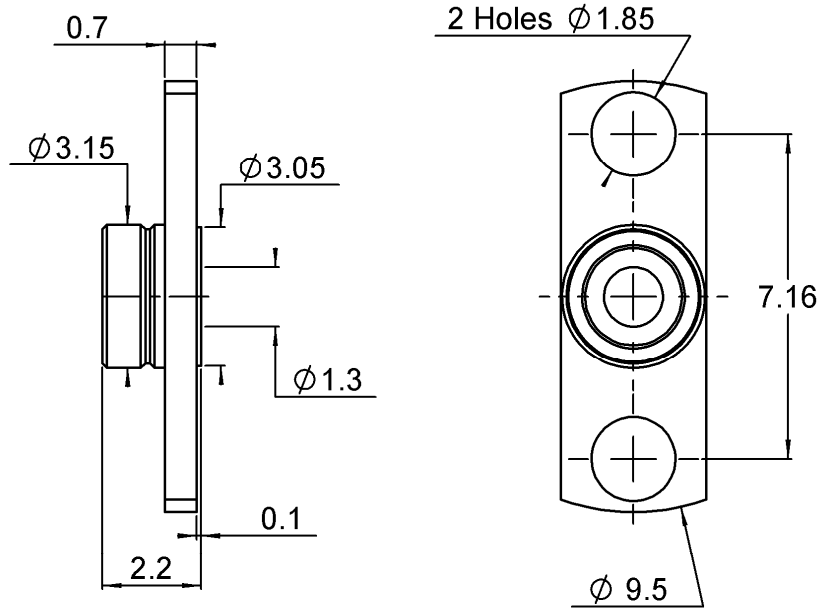


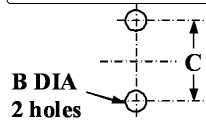
**DIRECT SOLDER 2 HOLES FLANGE**  
**FOR PIN 0.3 MM FULL DETENT**

**R201.450.001**

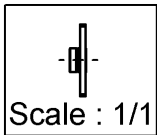
Series : SMPM



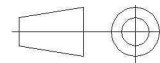
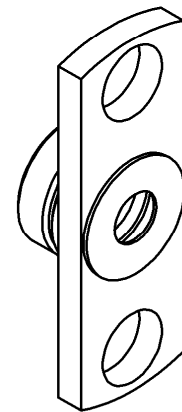
**PANEL CUT OUT**



	mm	
	Maxi	mini
<b>B</b>	1.9	1.8
<b>C</b>	7.21	7.11



All dimensions are in mm.



COMPONENTS	MATERIALS	PLATING (µm)
<b>BODY</b>	STAINLESS STEEL	PASSIVATED
<b>CENTER CONTACT</b>	-	-
<b>OUTER CONTACT</b>	-	-
<b>INSULATOR</b>	-	-
<b>GASKET</b>	-	-
<b>OTHERS PARTS</b>	-	-
-	-	-
-	-	-

Issue : 1408 A

In the effort to improve our products, we reserve the right to make changes judged to be necessary.



**DIRECT SOLDER 2 HOLES FLANGE**

**R201.450.001**

**FOR PIN 0.3 MM FULL DETENT**

Series : SMPM

**PACKAGING**

**SPECIFICATION**

Standard	Unit	Other
<b>100</b>	<b>'W' option</b>	<b>Contact us</b>

**ELECTRICAL CHARACTERISTICS**

**ENVIRONMENTAL**

Impedance	NA	$\Omega$
Frequency	NA	GHz
VSWR	NA + <b>0,0000</b>	x F(GHz) Maxi
Insertion loss	NA	$\sqrt{F}$ (GHz) dB Maxi
RF leakage	NA - (	F(GHz)) dB Maxi
Voltage rating	NA	Veff Maxi
Dielectric withstanding voltage	NA	Veff mini
Insulation resistance	NA	M $\Omega$ mini

Operating temperature	<b>-65/+165</b>	$^{\circ}$ C
Hermetic seal	NA	Atm.cm3/s
Panel leakage	NA	

**OTHER CHARACTERISTICS**

Assembly instruction

Others :

**MECHANICAL CHARACTERISTICS**

Center contact retention		
Axial force – Mating end	NA	N mini
Axial force – Opposite end	NA	N mini
Torque	NA	N.cm mini
Recommended torque		
Mating	NA	N.cm
Panel nut	NA	N.cm
Mating life	<b>100</b>	Cycles mini
Weight	<b>0,1300</b>	g

Issue : 1408 A

In the effort to improve our products, we reserve the right to make changes judged to be necessary.

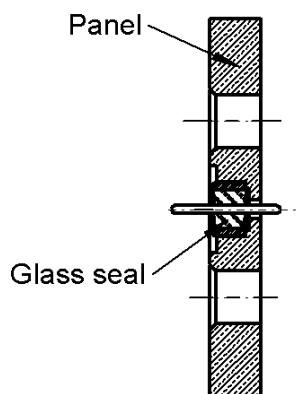


**DIRECT SOLDER 2 HOLES FLANGE****R201.450.001****FOR PIN 0.3 MM FULL DETENT**

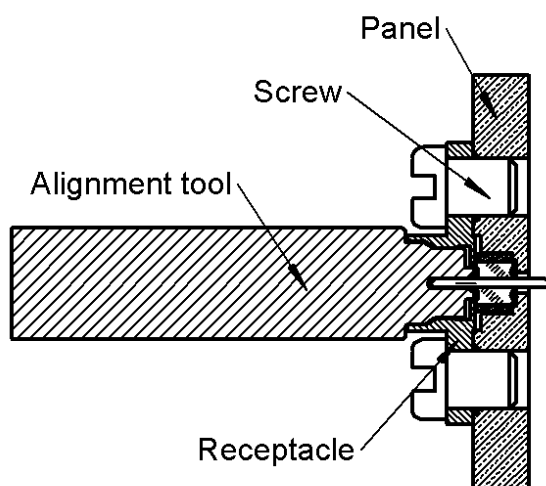
Series : SMPM

**ADDITIONAL INFORMATIONS  
MOUNTING INSTRUCTIONS**

Check the quality of the soldering, as well as the position of the glass seal in the package.



Place the receptacle and pre-assemble screw on the package.  
Mount the alignment tool R282.860.030 into the flange to ensure a good concentricity.  
Screw the receptacle on the package.  
Remove the aligning positioner.



Issue : 1408 A

In the effort to improve our products, we reserve the right to make changes judged to be necessary.

**RADIALL** 

## X-ON Electronics

Largest Supplier of Electrical and Electronic Components

*Click to view similar products for [RF Connector Accessories](#) category:*

*Click to view products by [Radiall](#) manufacturer:*

Other Similar products are found below :

[89674-0712](#) [F702RX24](#) [FERRULE-174](#) [R141802000](#) [R141805000](#) [R141842000](#) [R161862000](#) [R161862000W](#) [R280752000](#) [R280907000](#)  
[R694261906](#) [RFI21-13](#) [RFI75-13-D2](#) [RFI75-4-D2](#) [AX102906](#) [AX102907](#) [18097-0013](#) [HP-375](#) [HP-500](#) [2098-0294-00](#) [2098-3251-94](#) [KA-](#)  
[81-05](#) [89674-0805](#) [F1](#) [FERRULE-223](#) [202102-11](#) [213337-1](#) [220222-2](#) [24092671A](#) [24092678A](#) [R280468000](#) [R280510000](#) [R282862060](#)  
[RFI155-1](#) [RFI25-12-D3](#) [RFI25-5](#) [RFI25-5-D3](#) [RFI75-12-D2](#) [RFI75-2-D2](#) [RFI75-4-D3](#) [RFI77-6](#) [360HS001M2508M6](#) [4-1532137-4](#) [5-21085-](#)  
[0](#) [105274-1000](#) [111062-0490](#) [112122-SOD-LUG](#) [112-NUT-KNURL](#) [IPP-2014](#) [R280490020](#)