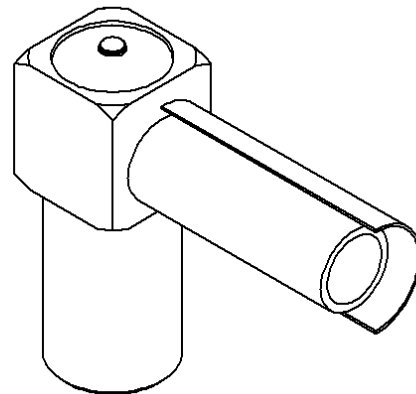
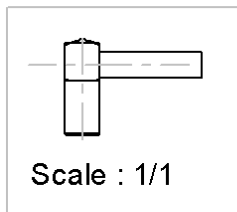
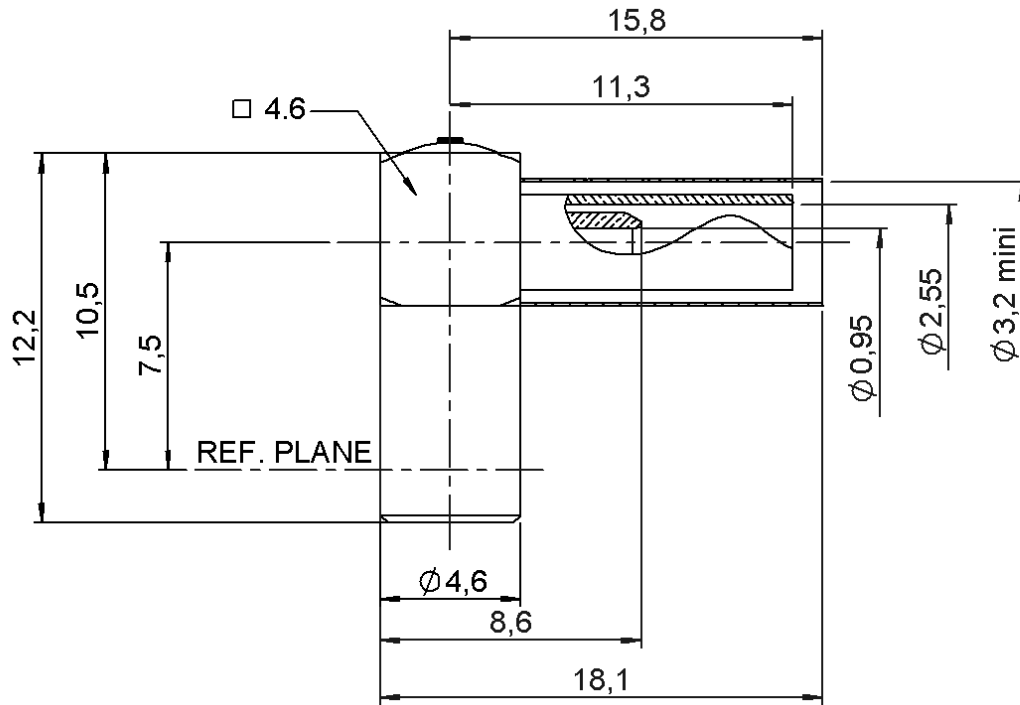


PAGE 1/3	ISSUE 23-02-16G	SERIES SSMB	PART NUMBER R203173000
----------	-----------------	-------------	------------------------



All dimensions are in mm.



COMPONENTS	MATERIALS	PLATING (µm)
Body	BRASS	GOLD 0.5 OVER NICKEL 2
Center contact	BERYLLIUM COPPER	GOLD 1.3 OVER NICKEL2
Outer contact	BERYLLIUM COPPER	GOLD 0.5 OVER NICKEL 2
Insulator	PTFE	
Gasket	-	
Others parts	BRASS	GOLD 0.2 OVER NICKEL 2
-	-	-
-	-	-

PAGE 2/3	ISSUE 23-02-16G	SERIES SSMB	PART NUMBER R203173000
-----------------	------------------------	--------------------	-------------------------------

PACKAGING

Standard	Unit	Other
100	Contact us	Contact us

ELECTRICAL CHARACTERISTICS

Impedance	50	Ω
Frequency	0-4	GHz
VSWR	1.30 + 0,0200	x F(GHz) Maxi
Insertion loss	0.30	√F(GHz) dB Maxi
RF leakage	- (NA)	- F(GHz) dB Maxi
Voltage rating	175	Veff Maxi
Dielectric withstanding voltage	500	Veff mini
Insulation resistance	1000	MΩ mini

MECHANICAL CHARACTERISTICS

Center contact retention		
Axial force – Mating End	8	N mini
Axial force – Opposite end	8	N mini
Torque	NA	N.cm mini
Recommended torque		
Mating	NA	N.cm
Panel nut	NA	N.cm
Clamp nut	NA	N.cm
A/F clamp nut	0,0000	mm
Mating life	500	Cycles mini
Weight	0,0000	g

ENVIRONMENTAL

Operating temperature	-65/+165	°C
Hermetic seal	NA	Atm.cm3/s
Panel leakage	NA	

SPECIFICATION

CABLE ASSEMBLY

Stripping	a	b	c	d	e	f
mm	2	4,5	7,5	0	5,5	0

Assembly instruction: **Crimp 05**

Recommended cable(s)

- KX 21**
- RG 178**
- RG 196**
- RG 178 LC**

Characteristics indicated on this data sheet are those that can be achieved with the highest performance cable. Intrinsic limitations of the cable may diminish the performance of the assembly

Cable retention

- pull off	54	N mini
- torque	NA	N.cm

TOOLING

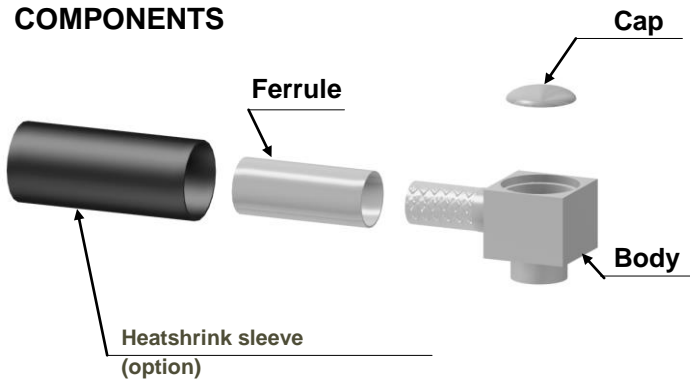
Part Number	Description	Hexagon
R282235003	CRIMPING DIES M22520/5-03	2.67
R282293000	CRIMPING TOOL M22520/5-01	-
R282211000	CRIMPING TOOL	2.67

OTHER CHARACTERISTICS

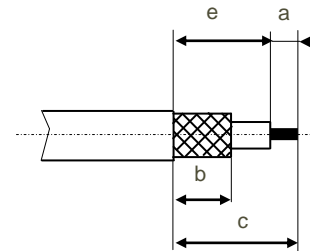
-

PAGE 3/3	ISSUE 23-02-16G	SERIES SSMB	PART NUMBER R203173000
----------	-----------------	-------------	------------------------

COMPONENTS



STRIPPING DIMENSIONS



1

Slide the heatshrink sleeve onto the cable (Option).
Slide the ferrule onto the cable.
Strip the cable.

2

Fan the braid.

3

Push the connector body under the braid.
Slide the ferrule over the braid.

4

Crimp the ferrule with crimping tool (see connector TDS).
Solder the inner conductor.

5

Place the cap into the body.

6

Press on the cap flush or slightly below the surface of the body assembly.
Slide the sleeve over the ferrule and heatshrink it in place (Option).

X-ON Electronics

Largest Supplier of Electrical and Electronic Components

Click to view similar products for [RF Connectors / Coaxial Connectors](#) category:

Click to view products by [Radiall](#) manufacturer:

Other Similar products are found below :

[8915-1511-000](#) [89674-0827](#) [6001-7071-019](#) [6002-7051-003](#) [6002-7551-202](#) [6059674-1](#) [619550-1](#) [630059-000](#) [M39030/3-01N](#) [6500-7071-046](#) [6769](#) [CX050L2AQ](#) [7002-1541-010](#) [7002-1542-011](#) [7004-1512-000](#) [7009-1511-004](#) [7010-1511-000](#) [7029-1511-060](#) [7101-1541-010](#) [7101-1571-002](#) [7145-1521-002](#) [7203-1571-003](#) [7209-1511-011](#) [7210-1511-015](#) [7210-1511-019](#) [73137-5015](#) [73216-2241](#) [73404-2300](#) [7405-1521-005](#) [7405-1521-802](#) [8527](#) [8547](#) [FS11V](#) [877931](#) [8808-1511-001](#) [9074-9513-000](#) [9101-9573-002](#) [910A205F](#) [9130-9573-002](#) [PL11SC-026](#) [PL375-33](#) [PL40-5](#) [PL74C-221](#) [PL75MC-217](#) [PL803-7](#) [1200690078](#) [1-201144-1](#) [R107003010W](#) [R110A172100](#) [R112186000](#)