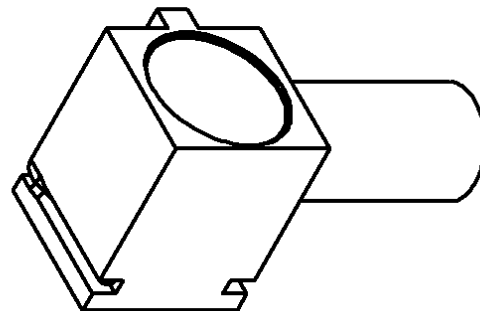
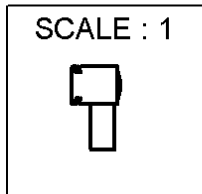
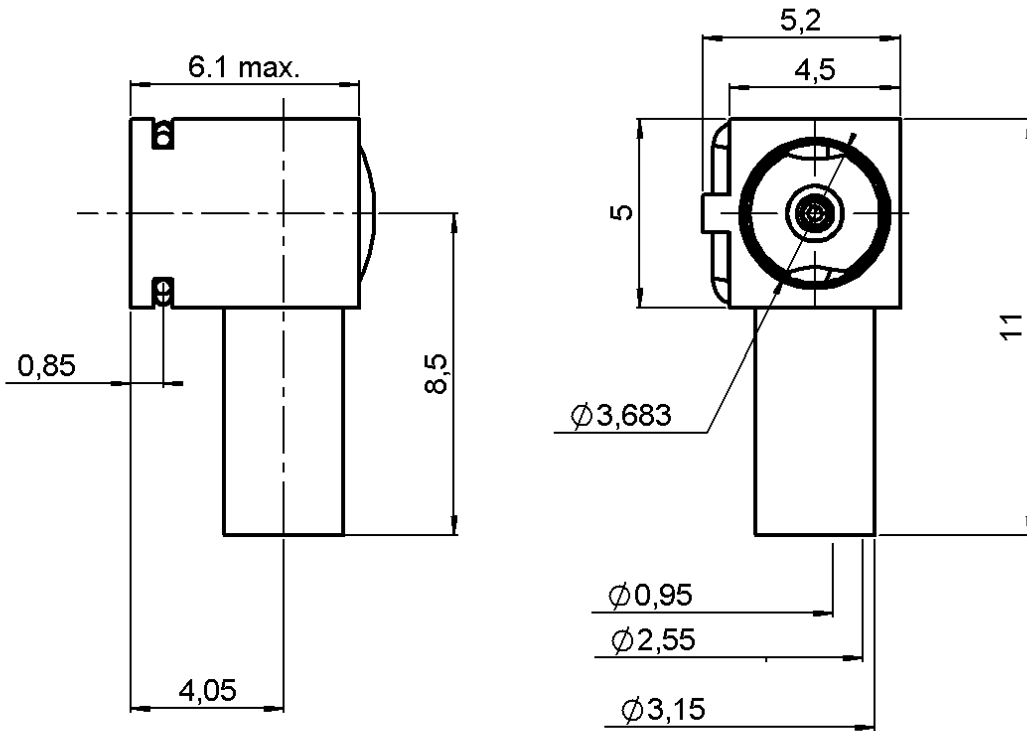


**FEMALE RIGHT ANGLE PLUG-CRIMP TYPE CABLE**

**R210.160.020**

**2/50S**

Series : MMT



All dimensions are in mm.

COMPONENTS	MATERIALS	PLATINGS (µm)
BODY	BRASS	NICKEL 2
CENTER CONTACT	BERYLLIUM COPPER	NICKEL 2 + GOLD 0.5
OUTER CONTACT	BRASS	NICKEL 2
INSULATOR	PTFE	
GASKET		
OTHERS PARTS	BRASS	NICKEL .
-	-	-
-	-	-

Issue : 0344 B

In the effort to improve our products, we reserve the right to make changes judged to be necessary.



**FEMALE RIGHT ANGLE PLUG-CRIMP TYPE CABLE**

**R210.160.020**

**2/50S**

Series : MMT

**PACKAGING**

Standard	Unit	Other
<b>100R</b>	<b>'W' option</b>	<b>Contact us</b>

**SPECIFICATION**

**ELECTRICAL CHARACTERISTICS**

Impedance		<b>50</b> Ω
Frequency		<b>0-8</b> GHz
VSWR	<b>1.1 +</b>	<b>0.050</b> x F(GHz) Maxi
Insertion loss		<b>0.2</b> √F(GHz) dB Maxi
RF leakage	- (	<b>NA</b> - F(GHz)) dB Maxi
Voltage rating		<b>170</b> Veff Maxi
Dielectric withstanding voltage		<b>500</b> Veff mini
Insulation resistance		<b>5000</b> MΩ mini

**CABLE ASSEMBLY**

Stripping	a	b	c	d	e	f
mm	3.00	5.00	9.00	0.00	6.00	0.00

Assembly instruction :

Recommended cable(s)  
RG 178

Cable retention

- pull off **20** N mini
- torque **NA** N.cm

**MECHANICAL CHARACTERISTICS**

Center contact retention		
Axial force – Mating end	<b>8</b>	N mini
Axial force – Opposite end	<b>NA</b>	N mini
Torque	<b>NA</b>	N.cm mini

**TOOLING**

Part Number	Description	Hexagon
.	.	.
R282.211.000	CRIMPING TOOL	2.67
R282.868.040	EXTRACTING TOOL TYPE MMT	

Recommended torque		
Mating	<b>NA</b>	N.cm
Panel nut	<b>NA</b>	N.cm
Clamp nut	<b>NA</b>	N.cm
A/F clamp nut	<b>0.000</b>	mm

**OTHERS CHARACTERISTICS**

accouplt : 18Nmax / desacc. : 7Nmin

Mating life	<b>500</b>	Cycles mini
Weight	<b>0.950</b>	g

**ENVIRONMENTAL**

Operating temperature	<b>-55/100</b>	° C
Hermetic seal	<b>NA</b>	Atm.cm3/s
Panel leakage	<b>NA</b>	

Issue : 0344 B

In the effort to improve our products, we reserve the right to make changes judged to be necessary.



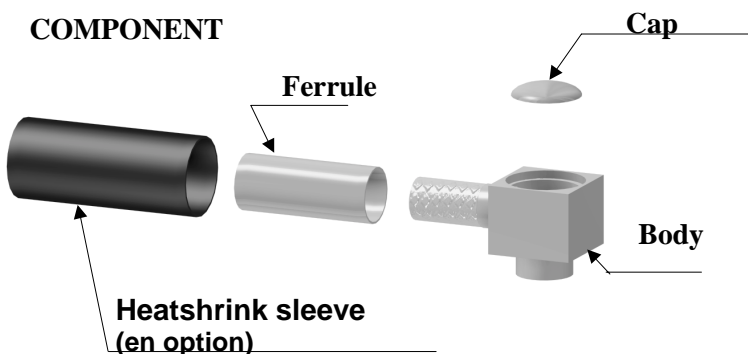
**FEMALE RIGHT ANGLE PLUG-CRIMP TYPE CABLE**

**R210.160.020**

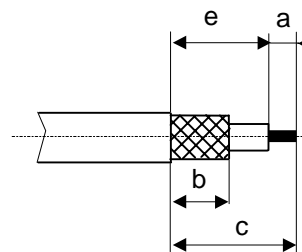
2/50S

Series : MMT

**COMPONENT**

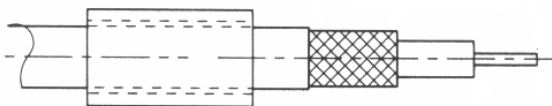


**STRIPPING DIMENSIONS**



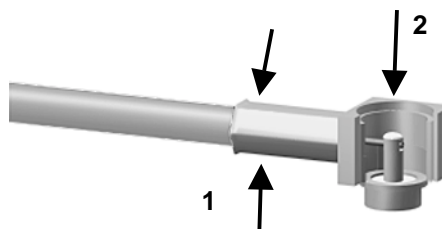
**1**

To slide the ferrule onto the cable.  
Cable stripping.



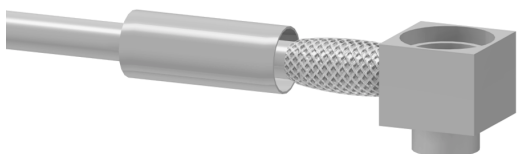
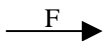
**3**

To crimp the ferrule crimping tool R282 211 000.  
Solder inner conductor onto the pin.



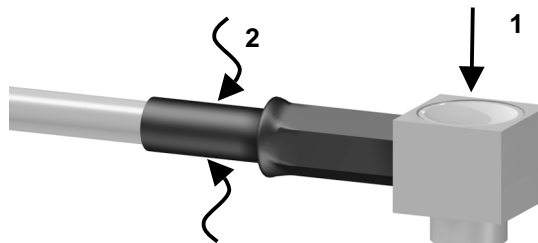
**2**

To open the braid.  
To slide body under braid.  
Introduce the cable into the connector body until the body shoulder  
To slide the ferrule on braid according to F direction.



**4**

Press on the cap.  
Slide the sleeve over the ferrule and heatshrink  
It in place (OPTION)



Issue : 0344 B

In the effort to improve our products, we reserve the right to make changes judged to be necessary.

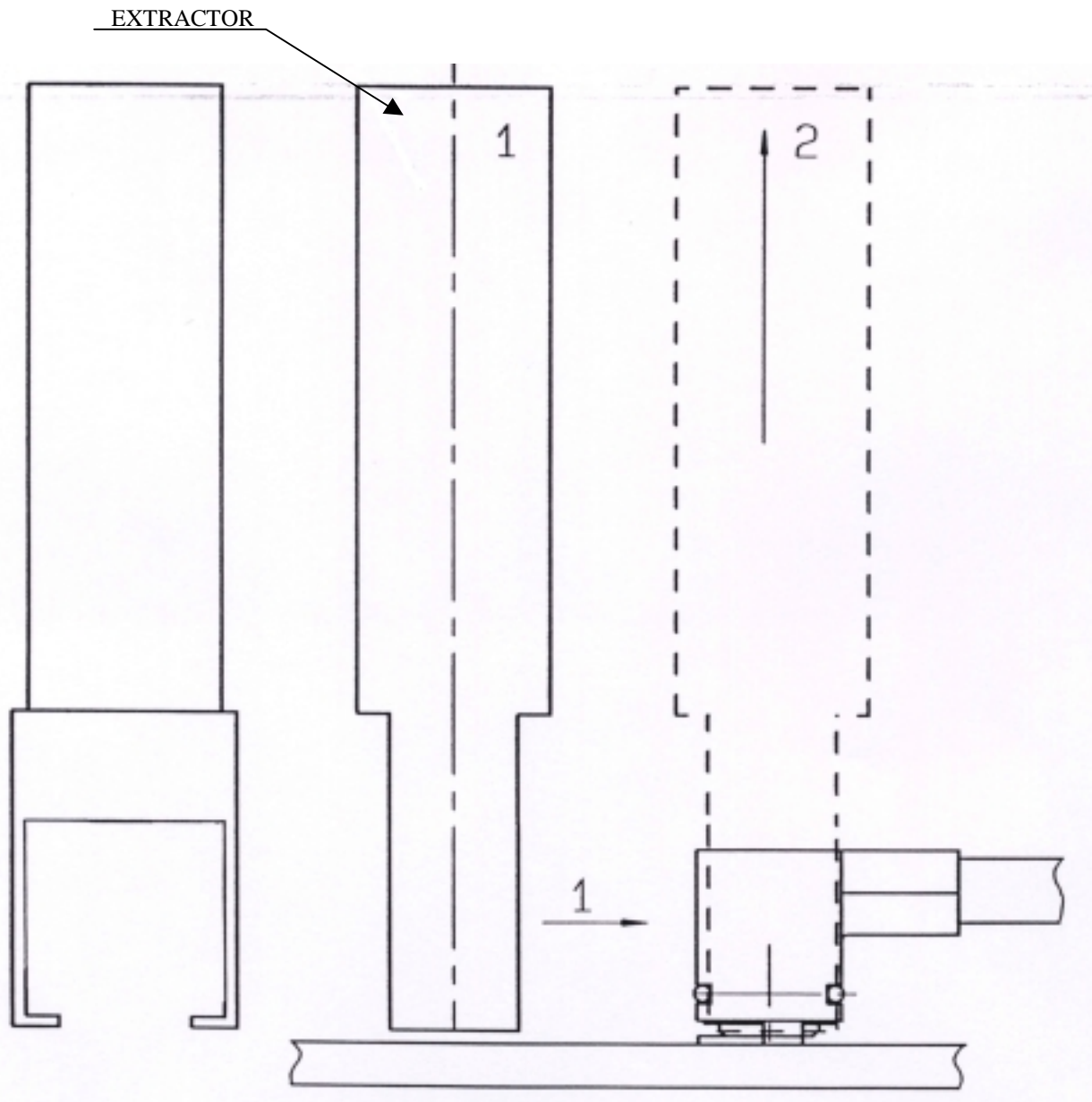


**FEMALE RIGHT ANGLE PLUG-CRIMP TYPE CABLE****R210.160.020****2/50S**

Series : MMT

A SPECIAL TOOL MUST BE USED TO REMOVE THE RIGHT ANGLE MMT PLUG FROM THE SMT RECEPTACLE.

- 1- INSERT THE TOOL UNDER THE RIGHT ANGLE MMT PLUG AS SHOWN.
- 2- PULL OFF IN THE VERTICAL DIRECTION TO EXTRACT THE RIGHT ANGLE MMT PLUG.

**Issue : 0344 B**

In the effort to improve our products, we reserve the right to make changes judged to be necessary.



## X-ON Electronics

Largest Supplier of Electrical and Electronic Components

*Click to view similar products for [RF Connectors / Coaxial Connectors](#) category:*

*Click to view products by [Radiall](#) manufacturer:*

Other Similar products are found below :

[8915-1511-000](#) [89674-0827](#) [6001-7071-019](#) [6002-7051-003](#) [6002-7551-202](#) [6059674-1](#) [619550-1](#) [630059-000](#) [M39030/3-01N](#) [6500-7071-046](#) [6769](#) [CX050L2AQ](#) [7002-1541-010](#) [7002-1542-011](#) [7004-1512-000](#) [7009-1511-004](#) [7010-1511-000](#) [7029-1511-060](#) [7101-1541-010](#) [7101-1571-002](#) [7145-1521-002](#) [7203-1571-003](#) [7209-1511-011](#) [7210-1511-015](#) [7210-1511-019](#) [73137-5015](#) [73216-2241](#) [73404-2300](#) [7405-1521-005](#) [7405-1521-802](#) [8527](#) [8547](#) [FS11V](#) [877931](#) [8808-1511-001](#) [9049-9513-000](#) [9074-9513-000](#) [9101-9573-002](#) [910A205F](#) [9130-9573-002](#) [PL11SC-026](#) [PL375-33](#) [PL40-5](#) [PL74C-221](#) [PL75MC-217](#) [PL803-7](#) [980-8666-005](#) [1200690078](#) [1-201144-1](#) [R107003010W](#)