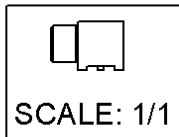
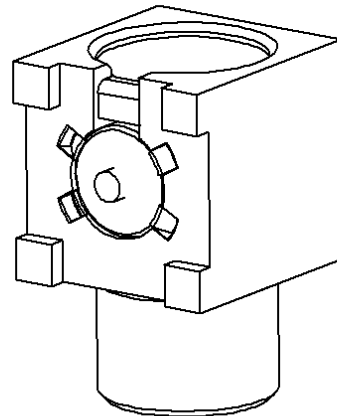
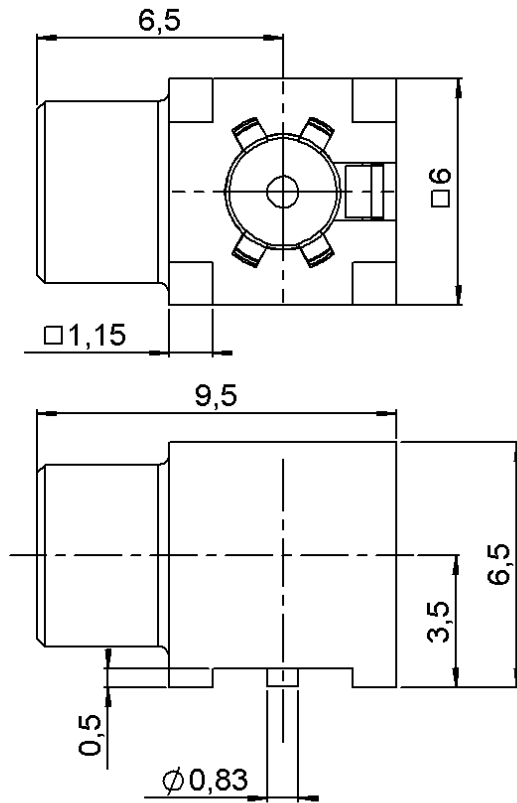


**RIGHT ANGLE FEMALE RECEPTACLE FOR PCB**

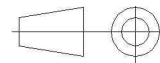
**R213.664.800**

**SOLDER LEGS**

Series : MCX 75



All dimensions are in mm.



COMPONENTS	MATERIALS	PLATINGS (µm)
BODY	BRASS	.GOLD 0.2 OVER NICKEL 2
CENTER CONTACT	BERYLLIUM COPPER	GOLD 0.5 OVER NICKEL 2
OUTER CONTACT	-	-
INSULATOR	PTFE	-
GASKET	-	-
OTHERS PARTS	BRASS	.GOLD 0.2 OVER NICKEL 2
-	-	-
-	-	-

Issue : 0740 C

In the effort to improve our products, we reserve the right to make changes judged to be necessary.



**RIGHT ANGLE FEMALE RECEPTACLE FOR PCB**

**R213.664.800**

**SOLDER LEGS**

Series : MCX 75

**PACKAGING**

**SPECIFICATION**

Standard	Unit	Other
<b>100</b>	<b>'W' option</b>	<b>Contact us</b>

**ELECTRICAL CHARACTERISTICS**

**ENVIRONMENTAL**

Impedance	<b>75</b>	$\Omega$
Frequency	<b>0-6</b>	GHz
VSWR	<b>1.45 + 0,0000</b>	x F(GHz) Maxi
Insertion loss	<b>0.1</b>	$\sqrt{F}$ (GHz) dB Maxi
RF leakage	- ( <b>NA</b> )	- F(GHz)) dB Maxi
Voltage rating	<b>335</b>	Veff Maxi
Dielectric withstanding voltage	<b>1000</b>	Veff mini
Insulation resistance	<b>1000</b>	M $\Omega$ mini

Operating temperature	<b>-55/+155</b>	$^{\circ}$ C
Hermetic seal	<b>NA</b>	Atm.cm3/s
Panel leakage	<b>NA</b>	

**OTHERS CHARACTERISTICS**

Assembly instruction

Others :

**MECHANICAL CHARACTERISTICS**

Center contact retention		
Axial force – Mating end	<b>10</b>	N mini
Axial force – Opposite end	<b>10</b>	N mini
Torque	<b>NA</b>	N.cm mini
Recommended torque		
Mating	<b>NA</b>	N.cm
Panel nut	<b>NA</b>	N.cm
Mating life	<b>500</b>	Cycles mini
Weight	<b>1,6600</b>	g

Issue : 0740 C

In the effort to improve our products, we reserve the right to make changes judged to be necessary.



**RIGHT ANGLE FEMALE RECEPTACLE FOR PCB**

**R213.664.800**

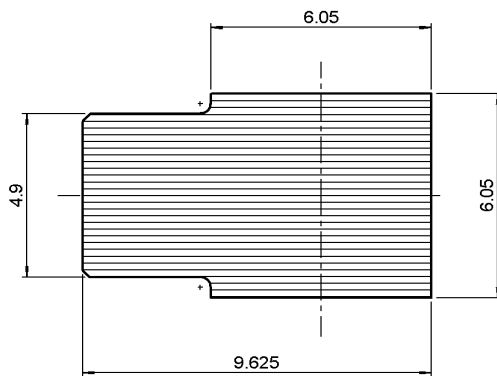
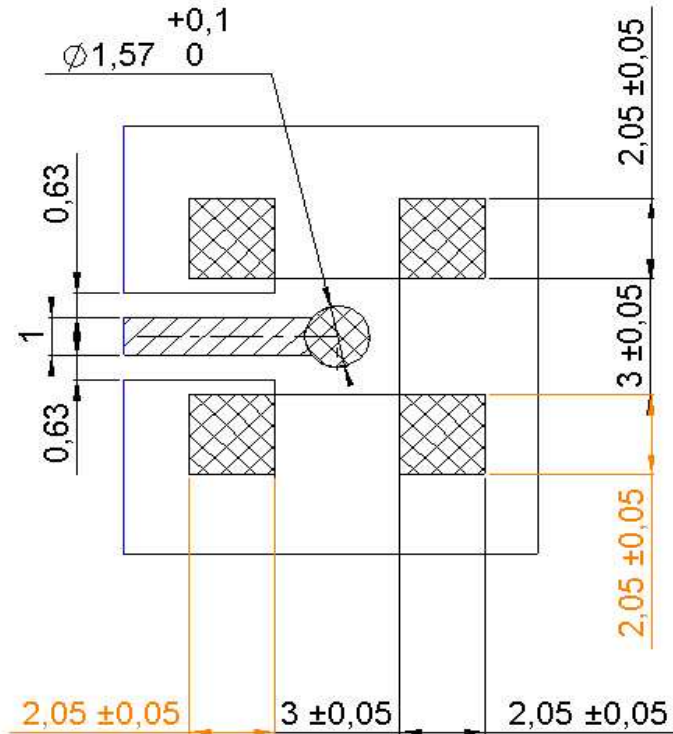
**SOLDER LEGS**

Series : MCX 75

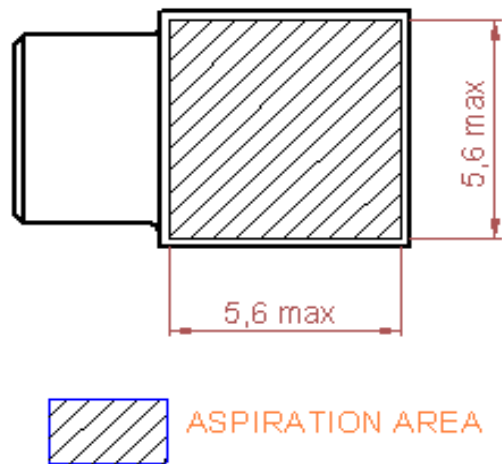
**MCX 75 SERIES - INFORMATION**

Coplanar line : pattern and signal are on the same side . Thickness of PCB : .063(1.6mm)

The material of PCB is the epoxy resin of glass fabrics bacs . (Er = 4.8) . The solder resist should be printed except for the land pattern on the PCB .



SHADOW OF MCX RECEPTACLE FOR VIDEO CAMERA



ASPIRATION AREA

Issue : 0740 C

In the effort to improve our products, we reserve the right to make changes judged to be necessary.



**RIGHT ANGLE FEMALE RECEPTACLE FOR PCB**

**R213.664.800**

**SOLDER LEGS**

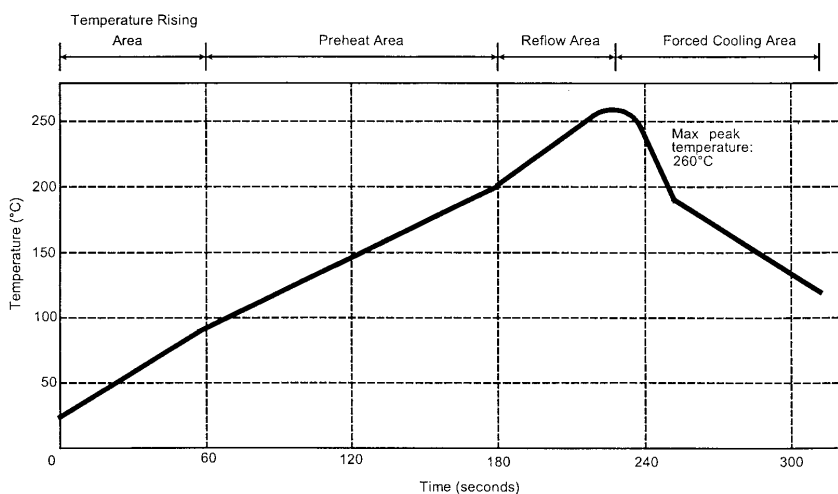
Series : MCX 75

**SOLDER PROCEDURE**

1. Deposit solder paste ‘SnAg4Cu0.5’ on mounting zone by screen printing application. We recommend a low residue flux.  
We advise a thickness of 150 micromm ( 5.850 microinch ). Verify that the edges of the zone are clean.
2. Placement of the receptacle on the mounting zone with an automatic machine of ‘pick and place’ type. A video camera is recommended for positioning of the component . Adhesive agents must not be used on the receptacle.
3. This process of soldering has been tested with convection oven .Below please find ,the typical profile to use.
4. The cleaning of printed circuit boards is not obliged .
5. Verification of solder joints and position of the component by visual inspection.

**NOTE** : The receptacle and the plug must not be mated before completion of this procedure

**TEMPERATURE PROFILE**



Parameter	Value	Unit
Temperature rising Area	1 - 4	°C/sec
Max Peak Temperature	260	°C
Max dwell time @260°C	10	sec
Min dwell time @235°C	20	sec
Max dwell time @235°C	60	sec
Temperature drop in cooling Area	-1 to -4	°C/sec
Max dwell time above 100°C	420	sec

Issue : 0740 C

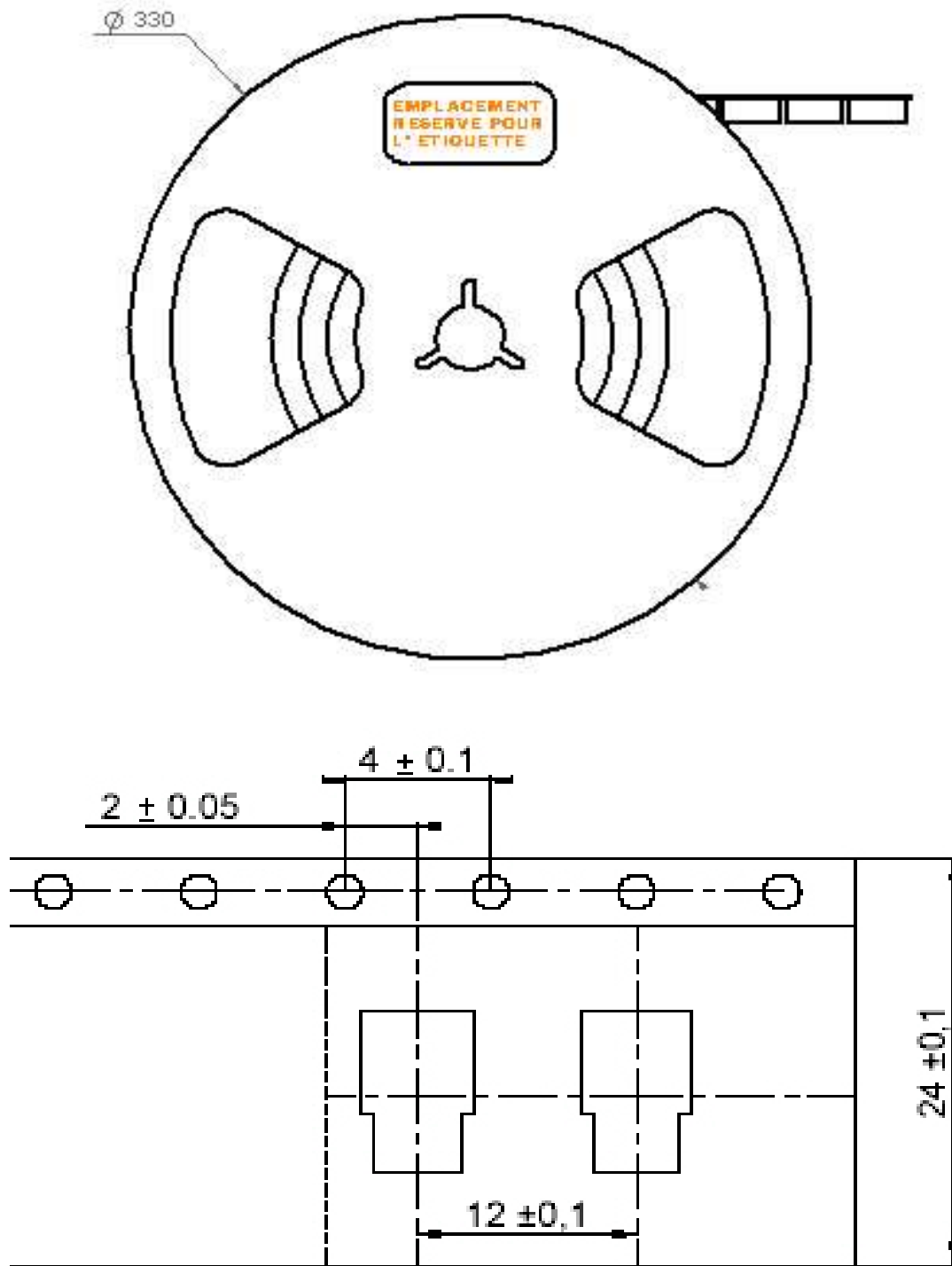
In the effort to improve our products, we reserve the right to make changes judged to be necessary.



**RIGHT ANGLE FEMALE RECEPTACLE FOR PCB**  
**SOLDER LEGS**

**R213.664.800**

Series : MCX 75



Issue : 0740 C

In the effort to improve our products, we reserve the right to make changes judged to be necessary.



## X-ON Electronics

Largest Supplier of Electrical and Electronic Components

*Click to view similar products for [RF Connectors / Coaxial Connectors](#) category:*

*Click to view products by [Radiall](#) manufacturer:*

Other Similar products are found below :

[8915-1511-000](#) [89674-0827](#) [6001-7071-019](#) [6002-7051-003](#) [6002-7551-202](#) [6059674-1](#) [619550-1](#) [630059-000](#) [M39030/3-01N](#) [6500-7071-046](#) [6769](#) [CX050L2AQ](#) [7002-1541-010](#) [7002-1542-011](#) [7004-1512-000](#) [7009-1511-004](#) [7010-1511-000](#) [7029-1511-060](#) [7101-1541-010](#) [7101-1571-002](#) [7145-1521-002](#) [7203-1571-003](#) [7209-1511-011](#) [7210-1511-015](#) [7210-1511-019](#) [73137-5015](#) [73216-2241](#) [73404-2300](#) [7405-1521-005](#) [7405-1521-802](#) [8527](#) [8547](#) [FS11V](#) [877931](#) [8808-1511-001](#) [9074-9513-000](#) [9101-9573-002](#) [910A205F](#) [9130-9573-002](#) [PL11SC-026](#) [PL375-33](#) [PL40-5](#) [PL74C-221](#) [PL75MC-217](#) [PL803-7](#) [1200690078](#) [1-201144-1](#) [R107003010W](#) [R110A172100](#) [R112186000](#)