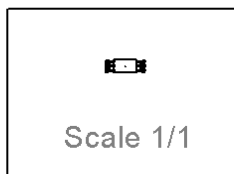
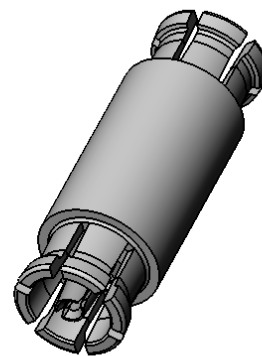
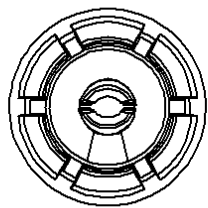
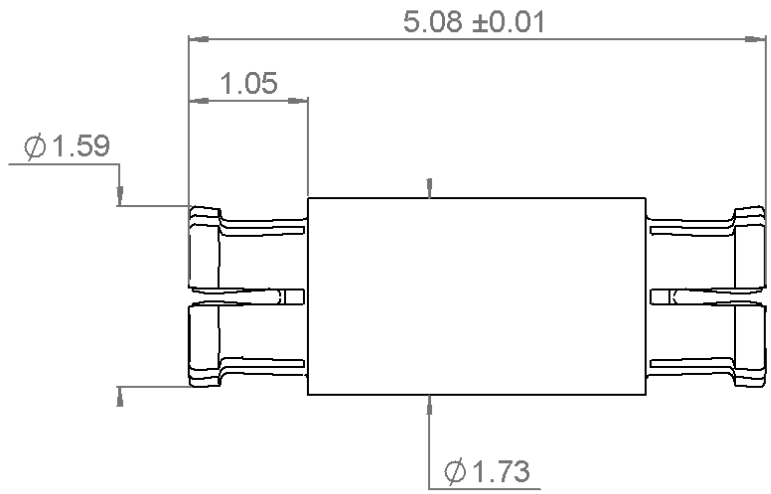
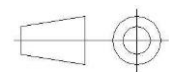


PAGE 1/4	ISSUE 12-03-19C	SERIES SMPW	PART NUMBER R218705020
----------	-----------------	-------------	------------------------



All dimensions are in mm. Tolerances according ISO 2768 m-H



COMPONENTS	MATERIALS	PLATING (µm)
Body	BERYLLIUM COPPER	GOLD OVER NICKEL
Center contact	BERYLLIUM COPPER	GOLD OVER NICKEL
Outer contact		
Insulator	PEEK	
Gasket		
Others parts		
-	-	-
-	-	-

PAGE 2/4	ISSUE 12-03-19C	SERIES SMPW	PART NUMBER R218705020
----------	-----------------	-------------	------------------------

PACKAGING

Standard	Unit	Other
100	Contact us	Contact us

ELECTRICAL CHARACTERISTICS

Impedance		50	Ω
Frequency		0-100	GHz
VSWR	See* +	0,0000	x F(GHz) Maxi
Insertion loss		0.055	√F(GHz) dB Maxi
RF leakage	- (70**	- F(GHz) dB Maxi
Voltage rating		125	Veff Maxi
Dielectric withstanding voltage		250	Veff mini
Insulation resistance		3500	MΩ mini

MECHANICAL CHARACTERISTICS

Center contact retention			
Axial force – Mating End		5.8	N mini
Axial force – Opposite end		5.8	N mini
Torque		NA	N.cm mini
Recommended torque			
Mating		NA	N.cm
Panel nut		NA	N.cm
Mating	100		Cycles mini Full-detent
	500		Cycles Smooth-bore
Weight		0,0500	g

ENVIRONMENTAL

Operating temperature	-40/+125	°C
Hermetic seal	NA	Atm.cm3/s
Panel leakage	NA	

SPECIFICATION

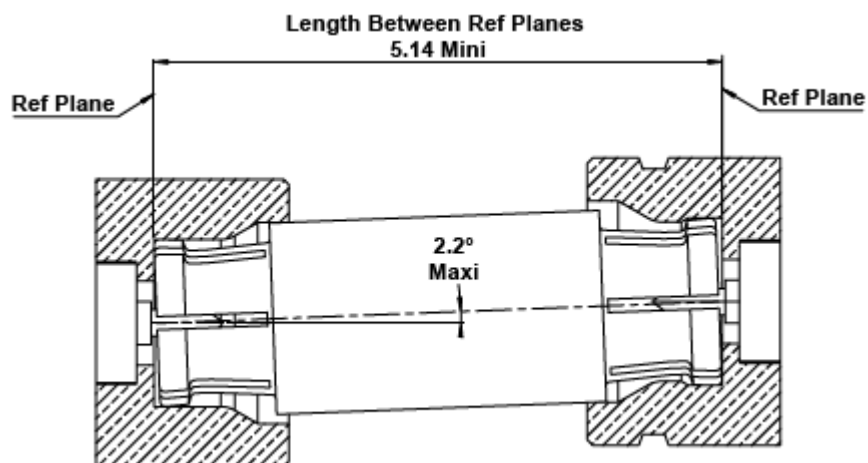
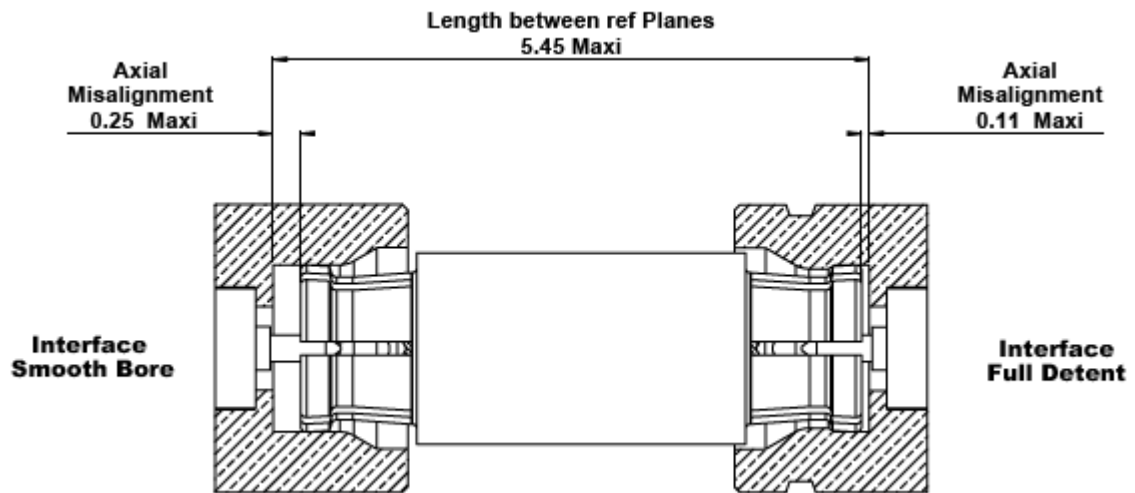
OTHER CHARACTERISTICS

Assembly instruction:

Others:
*1.1(DC to 26.5Ghz) 1.25(26.5 to 65Ghz)
**DC to 40 Ghz

PAGE 3/4	ISSUE 12-03-19C	SERIES SMPW	PART NUMBER R218705020
----------	-----------------	-------------	------------------------

MISALIGNMENT AXIAL AND RADIAL



PACKAGING

100 PER BOX



10 Bullets per cavity

X-ON Electronics

Largest Supplier of Electrical and Electronic Components

Click to view similar products for [RF Adapters - In Series](#) category:

Click to view products by [Radiall](#) manufacturer:

Other Similar products are found below :

[5916-1103-603](#) [5919-1503-000](#) [651A505](#) [82-5552](#) [9030-9523-502](#) [PN2C](#) [A0407000](#) [R114703000W](#) [R125771001](#) [R127871001](#)
[R141710000W](#) [R141723161](#) [R141730000](#) [R143730700](#) [R143770000](#) [R161703000W](#) [R161753000W](#) [R161791530W](#) [R201705000](#)
[R222705200](#) [R222M40010W](#) [R223703180](#) [R316754000](#) [R405006000](#) [R443162000](#) [AD78TL](#) [HRM-513S](#) [1996352-2](#) [2157155-1](#) [252169-75](#)
[AD158](#) [2101130-1](#) [252186](#) [R114704000W](#) [R114720000W](#) [R125705001](#) [R125705701](#) [R125771000](#) [R125771001W](#) [R127704001](#)
[R127.870.001](#) [R127872001](#) [R141717000](#) [R142710000](#) [R142723000](#) [R143703000](#) [R143704000](#) [R143705700](#) [R161771000W](#) [R176754000](#)