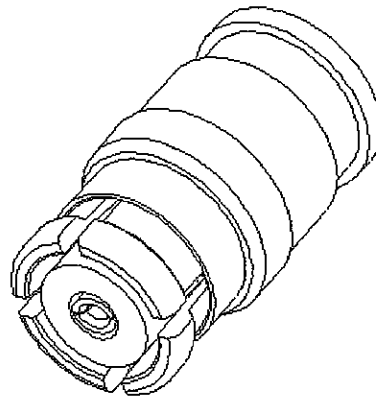
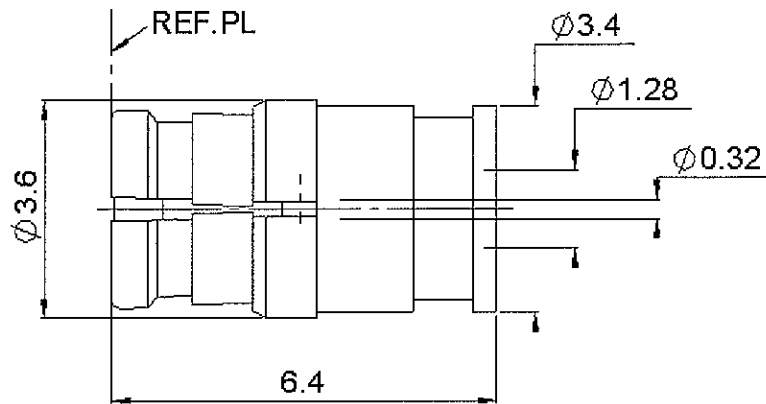


**FEMALE STRAIGHT PLUG SOLDER TYPE**

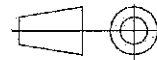
**R222.051.000**

**CABLE .047**

Series : SMP



All dimensions are in mm.



COMPONENTS	MATERIALS	PLATINGS (µm)
BODY	BERYLLIUM COPPER	GOLD 1.3 OVER NICKEL 2
CENTER CONTACT	BERYLLIUM COPPER	GOLD 1.27 OVER NICKEL 1.27
OUTER CONTACT	-	-
INSULATOR	PTFE	-
GASKET	-	-
OTHERS PARTS	BERYLLIUM COPPER	GOLD 1.3 OVER NICKEL 2
-	-	-
-	-	-

Issue : 0606 C

In the effort to improve our products, we reserve the right to make changes judged to be necessary.



**FEMALE STRAIGHT PLUG SOLDER TYPE**

**R222.051.000**

**CABLE .047**

Series : SMP

**PACKAGING**

Standard	Unit	Other
100	'W' option	Contact us

**SPECIFICATION**

**CABLE ASSEMBLY**

**ELECTRICAL CHARACTERISTICS**

Impedance		50 Ω
Frequency		0-40 GHz
VSWR	1.35 +	0 x F(GHz) Maxi
Insertion loss		0.12 √F(GHz) dB Maxi
RF leakage	- (	- F(GHz)) dB mini
Voltage rating		335 Veff Maxi
Dielectric withstanding voltage		500 Veff mini
Insulation resistance		5000 MΩ mini

Stripping	a	b	c	d	e	f
mm	1.3	0	0	0	0	0

Assembly instruction :

Recommended cable(s)  
UT47 M17/151-00001

Cable retention

- pull off 45 N mini
- torque NA N.cm

**MECHANICAL CHARACTERISTICS**

Center contact retention		
Axial force – Mating end	NA	N mini
Axial force – Opposite end	NA	N mini
Torque	NA	N.cm mini
Recommended torque		
Mating	NA	N.cm
Panel nut	NA	N.cm
Clamp nut	NA	N.cm
A/F clamp nut	0	mm
Mating life	100	Cycles mini
Weight	0.29	g

**TOOLING**

Part Number	Description	Hexagon
R282.740.030	SOLDERING MOUNTING	
R282.743.120	POSITIONER FOR SOLDERING SMP	
R282.744.253	POSITIONER FOR SOLDERING SMP	
R282.862.050	SOLDER GAUGE THCK .012	

**ENVIRONMENTAL**

Operating temperature	-65/+165 °C
Hermetic seal	NA Atm.cm3/s
Panel leakage	NA

**OTHERS CHARACTERISTICS**

RF leakage : -80dB DC-3GHz  
-65dB 3-26.5GHz  
Compliant with MIL-STD-348

Issue : 0606 C

In the effort to improve our products, we reserve the right to make changes judged to be necessary.



**RADIALL®**

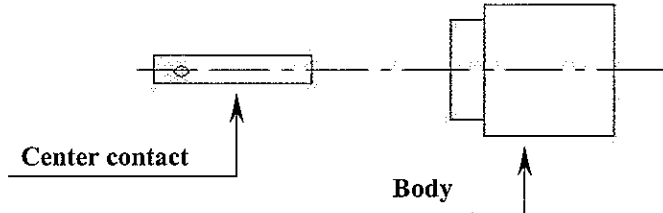
FEMALE STRAIGHT PLUG SOLDER TYPE

**R222.051.000**

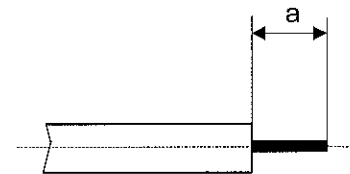
CABLE .047

Series : SMP

COMPONENTS



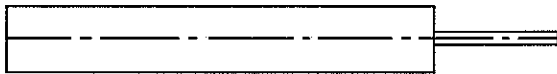
STRIPPING DIMENSIONS



We recommend a thermal preconditioning cable

1

Strip the dielectric of the cable .  
Trim the cable cone.  
Clean the cable .  
The iron temperature shall not exceeded 250°c

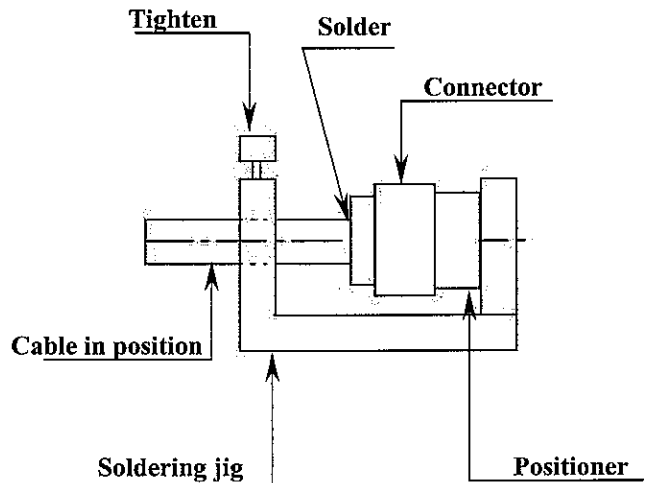
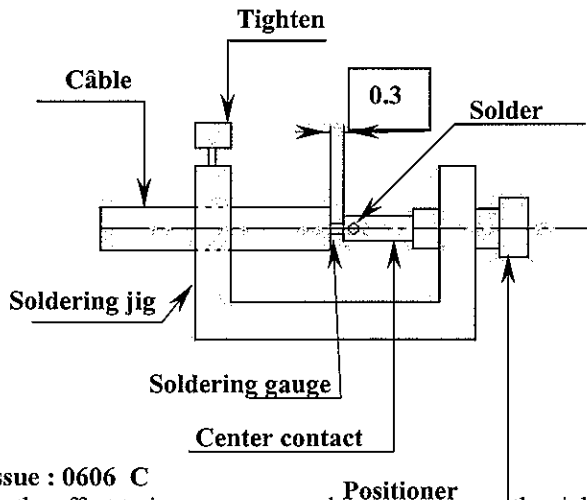


3

After cooling remove cable assembly from the jig.  
Slide body into the positioner .  
Slide cable into the connector until it bottoms against the positioner .  
Tighten.  
Solder the body onto the cable.  
After cooling remove cable assembly from the jig.

2

Screw the positioner onto the soldering jig.  
Slide the center contact into positioner.  
Insert the solder gauge between contact and the cable .  
Tighten and solder the center contact.



Issue : 0606 C

In the effort to improve our products, we reserve the right to make changes judged to be necessary.



## X-ON Electronics

Largest Supplier of Electrical and Electronic Components

*Click to view similar products for [RF Connectors / Coaxial Connectors](#) category:*

*Click to view products by [Radiall](#) manufacturer:*

Other Similar products are found below :

[8915-1511-000](#) [89674-0827](#) [6001-7071-019](#) [6002-7051-003](#) [6002-7551-202](#) [6059674-1](#) [619550-1](#) [630059-000](#) [M39030/3-01N](#) [6500-7071-046](#) [6769](#) [CX050L2AQ](#) [7002-1541-010](#) [7002-1542-011](#) [7004-1512-000](#) [7009-1511-004](#) [7010-1511-000](#) [7029-1511-060](#) [7101-1541-010](#) [7101-1571-002](#) [7145-1521-002](#) [7203-1571-003](#) [7209-1511-011](#) [7210-1511-015](#) [7210-1511-019](#) [73137-5015](#) [73216-2241](#) [73404-2300](#) [7405-1521-005](#) [7405-1521-802](#) [8527](#) [8547](#) [FS11V](#) [877931](#) [8808-1511-001](#) [9074-9513-000](#) [9101-9573-002](#) [910A205F](#) [9130-9573-002](#) [PL11SC-026](#) [PL375-33](#) [PL40-5](#) [PL74C-221](#) [PL75MC-217](#) [PL803-7](#) [1200690078](#) [1-201144-1](#) [R107003010W](#) [R110A172100](#) [R112186000](#)