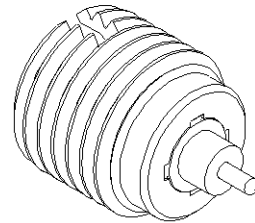
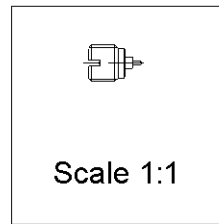
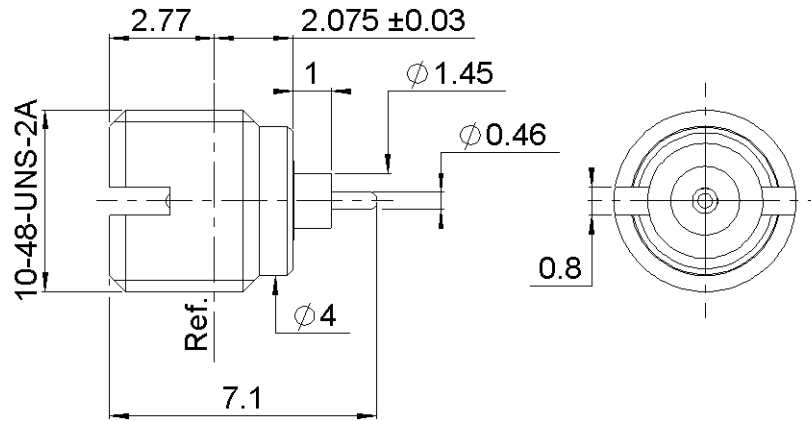
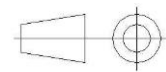


PAGE 1/3	ISSUE 04-05-16B	SERIES SMP	PART NUMBER R222561301
----------	------------------------	-------------------	-------------------------------



All dimensions are in mm.



COMPONENTS	MATERIALS	PLATING (µm)
Body	STAINLESS STEEL	PASSIVATED
Center contact	BERYLLIUM COPPER	GOLD OVER NICKEL
Outer contact	-	-
Insulator	PTFE	-
Gasket	-	-
Others parts	-	-
-	-	-
-	-	-

PAGE 2/3	ISSUE 04-05-16B	SERIES SMP	PART NUMBER R222561301
----------	------------------------	-------------------	-------------------------------

PACKAGING

Standard	Unit	Other
100	Contact us	Contact us

ELECTRICAL CHARACTERISTICS

Impedance		50		Ω
Frequency		0-12		GHz
VSWR	1.3	+	0,0000	x F(GHz) Maxi
Insertion loss			0.12	√F(GHz) dB Maxi
RF leakage	-	(NA	- F(GHz) dB Maxi
Voltage rating			335	Veff Maxi
Dielectric withstanding voltage			500	Veff mini
Insulation resistance			5000	MΩ mini

MECHANICAL CHARACTERISTICS

Center contact retention				
Axial force – Mating End			NA	N mini
Axial force – Opposite end			NA	N mini
Torque			NA	N.cm mini
Recommended torque				
Mating			NA	N.cm
Panel nut			90	N.cm
Mating life			500	Cycles mini
Weight			0,3000	g

ENVIRONMENTAL

Operating temperature	-65/+165		°C
Hermetic seal		NA	Atm.cm3/s
Panel leakage		NA	

SPECIFICATION

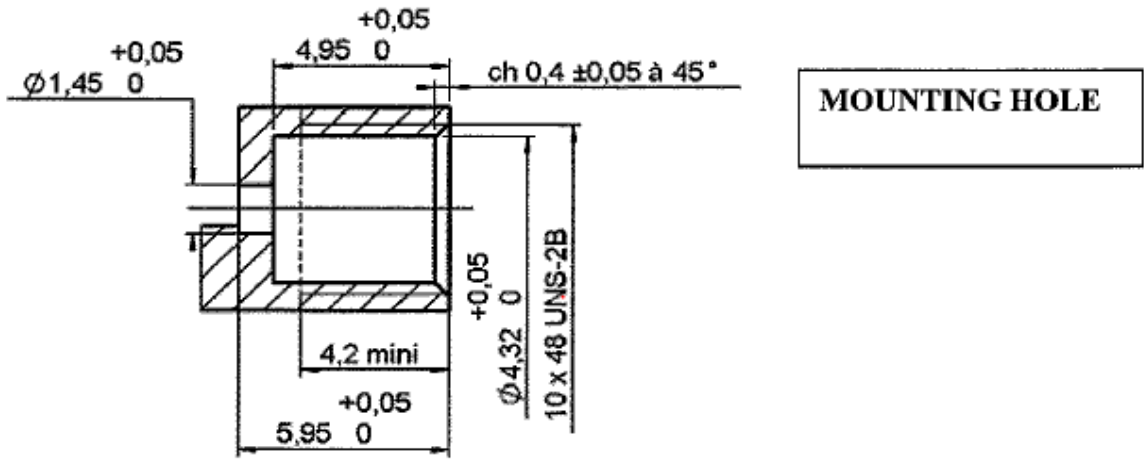
OTHER CHARACTERISTICS

Assembly instruction:

Others:
See page 3

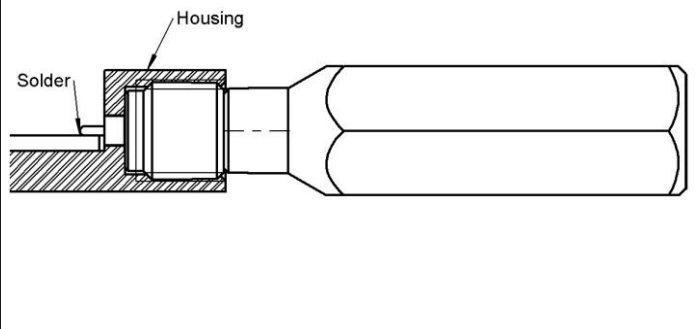
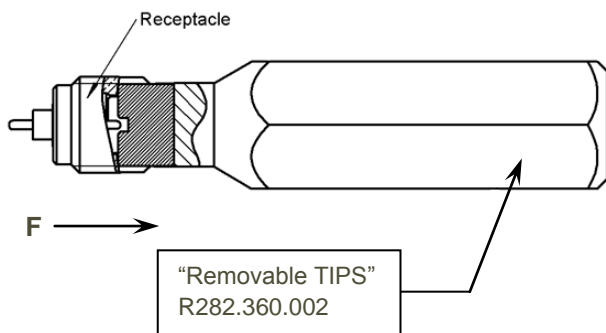
PAGE 3/3	ISSUE 04-05-16B	SERIES SMP	PART NUMBER R222561301
----------	-----------------	------------	------------------------

**ADDITIONAL INFORMATIONS
 MOUNTING AND REPLACEMENT INSTRUCTIONS**



- 1) Connector must be screwed or unscrewed with adapted torque driver R282.339.002 (recommended coupling torque: 90 N.cm)
- 2) Slide on the connector in F direction until it stops against the tool.

- 3) Screw the whole into the housing until activation of the torque driver.
- 4) Withdraw the tool and solder the center contact.



X-ON Electronics

Largest Supplier of Electrical and Electronic Components

Click to view similar products for [RF Connectors / Coaxial Connectors](#) category:

Click to view products by [Radiall](#) manufacturer:

Other Similar products are found below :

[8915-1511-000](#) [89674-0827](#) [6001-7071-019](#) [6002-7051-003](#) [6002-7551-202](#) [6059674-1](#) [619550-1](#) [630059-000](#) [M39030/3-01N](#) [6500-7071-046](#) [6769](#) [CX050L2AQ](#) [7002-1541-010](#) [7002-1542-011](#) [7004-1512-000](#) [7009-1511-004](#) [7010-1511-000](#) [7029-1511-060](#) [7101-1541-010](#) [7101-1571-002](#) [7105-1521-002](#) [7145-1521-002](#) [7203-1571-003](#) [7209-1511-011](#) [7210-1511-015](#) [7210-1511-019](#) [73137-5015](#) [73216-2241](#) [73404-2300](#) [7405-1521-005](#) [7405-1521-802](#) [8527](#) [8547](#) [FS11V](#) [877931](#) [8808-1511-001](#) [9074-9513-000](#) [9101-9573-002](#) [910A205F](#) [9130-9573-002](#) [PL11SC-026](#) [PL375-33](#) [PL40-5](#) [PL74C-221](#) [PL75MC-217](#) [PL803-7](#) [1200690078](#) [1-201144-1](#) [R107003010W](#) [R110A172100](#)