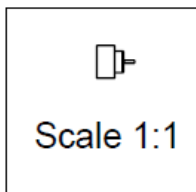
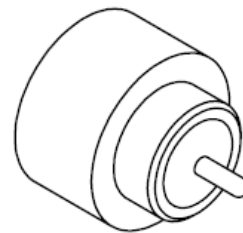
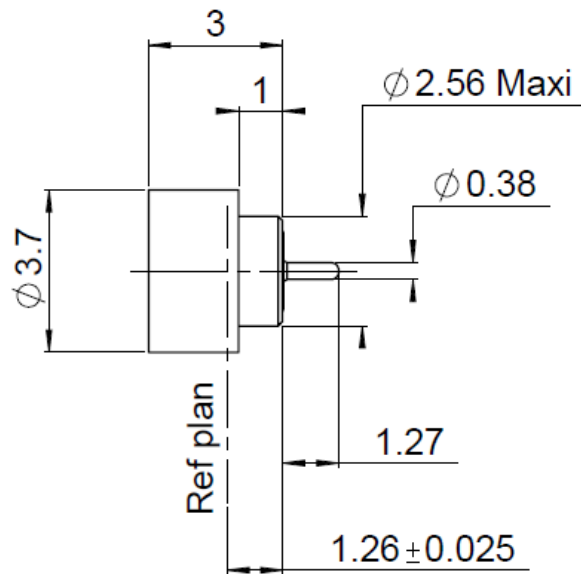
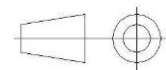


PAGE 1/3	ISSUE 21-12-15B	SERIES SMP	PART NUMBER R222645020
----------	------------------------	-------------------	-------------------------------



All dimensions are in mm.



COMPONENTS	MATERIALS	PLATING (μ m)
Body	DILVER P1	GOLD OVER NICKEL
Center contact	DILVER P1	GOLD OVER NICKEL
Outer contact		
Insulator	GLASS	
Gasket		
Others parts		
-	-	-
-	-	-

PAGE 2/3	ISSUE 21-12-15B	SERIES SMP	PART NUMBER R222645020
----------	-----------------	------------	------------------------

PACKAGING

Standard	Unit	Other
100	Contact us	Contact us

ELECTRICAL CHARACTERISTICS

Impedance		50	Ω
Frequency		0-40	GHz
VSWR	1.15* +	0.0000	x F(GHz) Maxi
Insertion loss		0.12	√F(GHz) dB Maxi
RF leakage	- (- F(GHz)) dB Maxi
Voltage rating		335	Veff Maxi
Dielectric withstanding voltage		500	Veff mini
Insulation resistance		5000	MΩ mini

ENVIRONMENTAL

Operating temperature	-65/+165	°C
Hermetic seal	10-8	Atm.cm3/s
Panel leakage		

MECHANICAL CHARACTERISTICS

Center contact retention			
Axial force – Mating End		6.8	N mini
Axial force – Opposite end		6.8	N mini
Torque			N.cm mini
Recommended torque			
Mating			N.cm
Panel nut			N.cm
Mating life		100	Cycles mini
Weight		0.0800	g

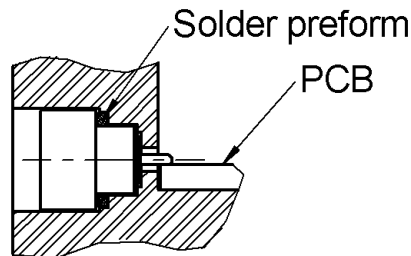
SPECIFICATION

OTHER CHARACTERISTICS

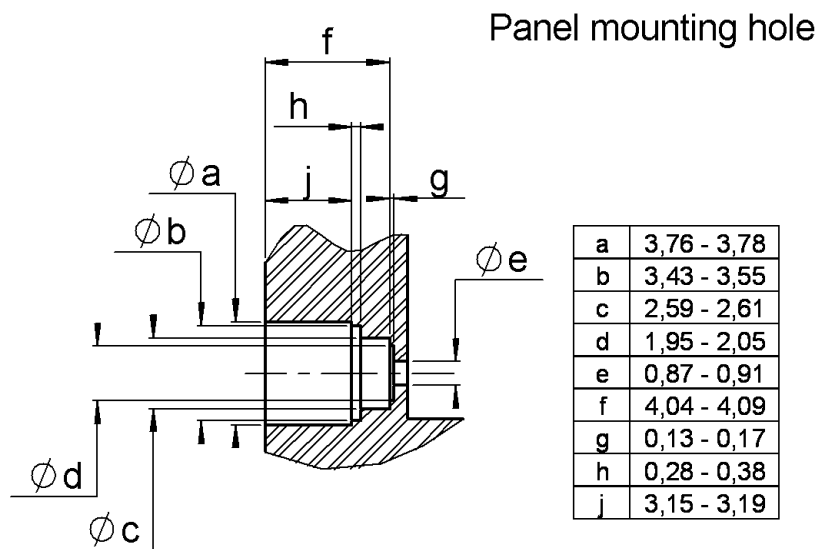
Assembly instruction:

Others:
* to 18GHz

PAGE 3/3	ISSUE 21-12-15B	SERIES SMP	PART NUMBER R222645020
----------	-----------------	------------	------------------------



1. Degrease and clean connector and box
2. Solder the connector on the panel
we advise SnAg4 Cu0.5, we recommend a low residue flux. Preheating at 100 °C. Take care not to exceed 260°C during solder operation
3. Solder the pin on the track
we advise SnAg4 Cu0.5, we recommend a low residue flux. Preheating at 100 °C (only for ceramic substrate). Take care not to exceed 260°C during solder operation



X-ON Electronics

Largest Supplier of Electrical and Electronic Components

Click to view similar products for [RF Connectors / Coaxial Connectors](#) category:

Click to view products by [Radiall](#) manufacturer:

Other Similar products are found below :

[8915-1511-000](#) [89674-0827](#) [6001-7071-019](#) [6002-7051-003](#) [6002-7551-202](#) [6059674-1](#) [619550-1](#) [630059-000](#) [M39030/3-01N](#) [6500-7071-046](#) [6769](#) [CX050L2AQ](#) [7002-1541-010](#) [7002-1542-011](#) [7004-1512-000](#) [7009-1511-004](#) [7010-1511-000](#) [7029-1511-060](#) [7101-1541-010](#) [7101-1571-002](#) [7145-1521-002](#) [7203-1571-003](#) [7209-1511-011](#) [7210-1511-015](#) [7210-1511-019](#) [73137-5015](#) [73216-2241](#) [73404-2300](#) [7405-1521-005](#) [7405-1521-802](#) [8527](#) [8547](#) [FS11V](#) [877931](#) [8808-1511-001](#) [9049-9513-000](#) [9074-9513-000](#) [9101-9573-002](#) [910A205F](#) [9130-9573-002](#) [PL11SC-026](#) [PL375-33](#) [PL40-5](#) [PL74C-221](#) [PL75MC-217](#) [PL803-7](#) [980-8666-005](#) [1200690078](#) [1-201144-1](#) [R107003010W](#)