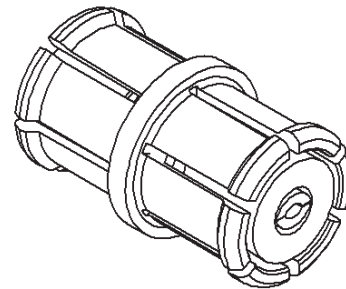
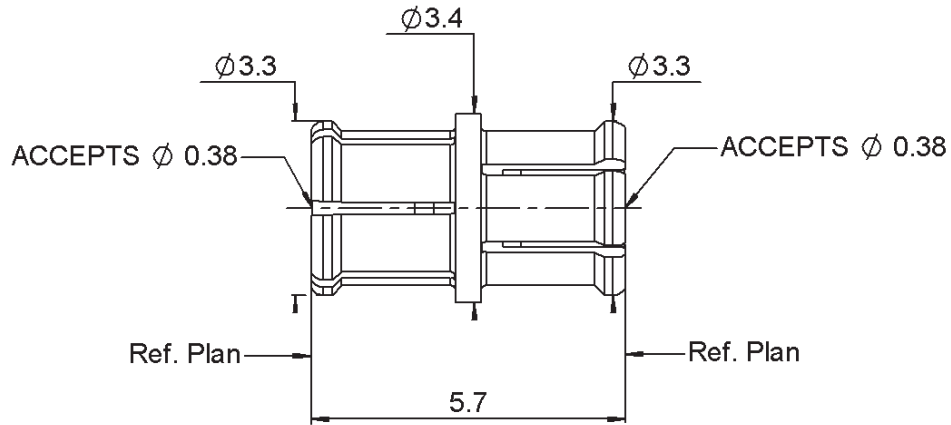
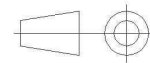


PAGE 1/3	ISSUE 1334B	SERIES SMP	PART NUMBER R222705200
----------	-------------	------------	------------------------




SCALE 1/1

All dimensions are in mm.



COMPONENTS	MATERIALS	PLATING (μm)
Body	BERYLLIUM COPPER	GOLD OVER NICKEL
Center contact	BERYLLIUM COPPER	GOLD OVER NICKEL
Outer contact		
Insulator	PTFE	
Gasket		
Others parts		
-	-	-
-	-	-

PAGE 2/3	ISSUE 1334B	SERIES SMP	PART NUMBER R222705200
----------	-------------	------------	------------------------

PACKAGING

Standard	Unit	Other
100	Contact us	Contact us

ELECTRICAL CHARACTERISTICS

Impedance		50	Ω
Frequency		0-40	GHz
VSWR	1.5	+	0.0000 x F(GHz) Maxi
Insertion loss		0.12	√F(GHz) dB Maxi
RF leakage	- (NA	- F(GHz) dB Maxi
Voltage rating		335	Veff Maxi
Dielectric withstanding voltage		500	Veff mini
Insulation resistance		5000	MΩ mini

MECHANICAL CHARACTERISTICS

Center contact retention			
Axial force – Mating End		6.7	N mini
Axial force – Opposite end		6.7	N mini
Torque		NA	N.cm mini
Recommended torque			
Mating		NA	N.cm
Panel nut		NA	N.cm
Mating life		100	Cycles mini
Weight		0.1550	g

ENVIRONMENTAL

Operating temperature	-65/+165	°C
Hermetic seal	NA	Atm.cm3/s
Panel leakage	NA	

SPECIFICATION

OTHER CHARACTERISTICS

Assembly instruction:

Others:
Compliant with MIL-STD-348

PAGE 3/3	ISSUE 1334B	SERIES SMP	PART NUMBER R222705200
----------	-------------	------------	------------------------

**ADDITIONAL INFORMATIONS
MOUNTING AND REPLACEMENT INSTRUCTIONS**

1 - INFORMATIONS

Mechanical durability: 100 cycles -> full detent connector .
 : 500 cycles -> limited detent connector .
 : 1000 cycles-> smooth bore connector .

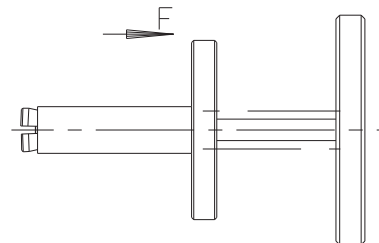
Axial misalignment = 0/+0.25 mm.
 Radial misalignment = ±0.25mm.

Force to:	engage	-	disengage	-	connector
Full det:	66.75 N maxi	-	22.25 N mini	-	FULL DETENT
Limited:	44.5 N maxi	-	8.9 N mini	-	LIMITED DET.
Smooth b:	8.9 N maxi	-	2.225 N mini	-	SMOOTH BORE

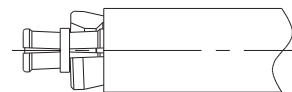
2 - MOUNTING AND REPLACEMENT

Adaptor must be mounted or removed with tooling R282.918.100.

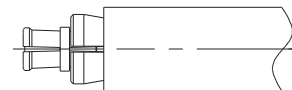
2-1 - Push in F direction to open the tool .



2-2 - Place the adaptor into the tool , until it bottoms against .



2-3 - Push on the adaptor , and release the smallest tool diameter. (the force to fixe the adaptor is applied by a spring) .



2-4 - Push on the biggest tool diameter to place the adaptor .
 - To remove the adaptor , pull off on the biggest tool diameter .

X-ON Electronics

Largest Supplier of Electrical and Electronic Components

Click to view similar products for [RF Adapters - In Series category:](#)

Click to view products by [Radiall manufacturer:](#)

Other Similar products are found below :

[5916-1103-603](#) [5919-1503-000](#) [5919-9503-000](#) [651A505](#) [82-5552](#) [9030-9523-502](#) [PN2C](#) [A0407000](#) [R114703000W](#) [R125771001](#)
[R127871001](#) [R141710000W](#) [R141723161](#) [R141730000](#) [R143730700](#) [R143770000](#) [R161703000W](#) [R161753000W](#) [R161791530W](#)
[R201705000](#) [R222705200](#) [R222M40010W](#) [R223703180](#) [R316754000](#) [R405006000](#) [R443162000](#) [AD78TL](#) [HRM-513S](#) [1996352-2](#)
[2157155-1](#) [252169-75](#) [AD158](#) [2101130-1](#) [252186](#) [R114704000W](#) [R114720000W](#) [R125705001](#) [R125705701](#) [R125771000](#) [R125771001W](#)
[R127704001](#) [R127.870.001](#) [R127872001](#) [R141717000](#) [R142710000](#) [R142723000](#) [R143703000](#) [R143704000](#) [R143705700](#) [R161771000W](#)