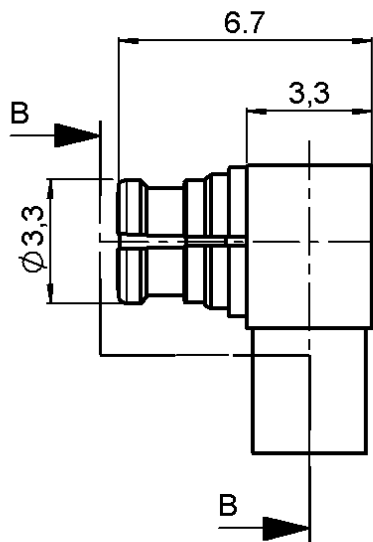


**RIGHT ANGLE PLUG SOLDER TYPE**

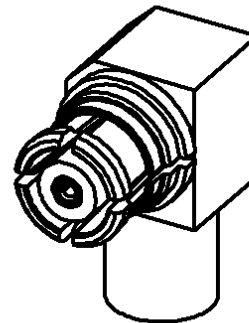
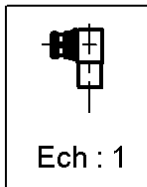
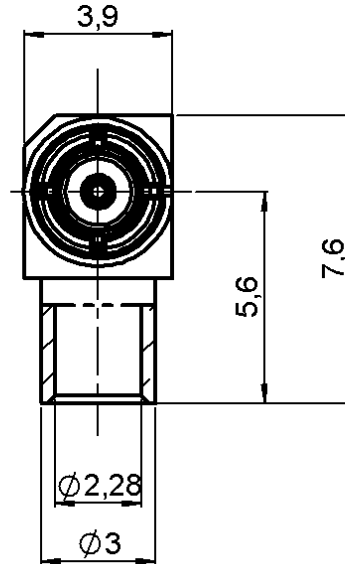
**R222.900.340**

**CABLE .085**

Series : SMP-COM



COUPE B-B



All dimensions are in mm.



COMPONENTS	MATERIALS	PLATING (µm)
BODY	BRASS	NPGR
CENTER CONTACT	BERYLLIUM COPPER	NPGR
OUTER CONTACT	BERYLLIUM COPPER	NPGR
INSULATOR	PTFE	
GASKET	-	
OTHERS PARTS	BRASS	NPGR
-	-	-
-	-	-

Issue : 0633 A

In the effort to improve our products, we reserve the right to make changes judged to be necessary.



**RIGHT ANGLE PLUG SOLDER TYPE**

**R222.900.340**

**CABLE .085**

Series : **SMP-COM**

**PACKAGING**

Standard	Unit	Other
<b>100</b>	<b>'W' option</b>	<b>Contact us</b>

**SPECIFICATION**

**ELECTRICAL CHARACTERISTICS**

Impedance	<b>50</b>	$\Omega$
Frequency	<b>0-12.4*</b>	GHz
VSWR	<b>1.25** + 0,0000</b>	x F(GHz) Maxi
Insertion loss	<b>0.12</b>	$\sqrt{F}$ (GHz) dB Maxi
RF leakage	<b>- ( 55***</b>	- F(GHz)) dB Maxi
Voltage rating	<b>250</b>	Veff Maxi
Dielectric withstanding voltage	<b>500</b>	Veff mini
Insulation resistance	<b>5000</b>	M $\Omega$ mini

**CABLE ASSEMBLY**

Stripping	a	b	c	d	e	f
mm	3,17	0,00	0,00	0,00	0,00	0,00

Assembly instruction : **Solder 02**

Recommended cable(s)  
KS 1  
RG 405

Characteristics indicated on this data sheet are those that can be achieved with the highest performance cable. Intrinsic limitations of the cable may diminish the performance of the assembly

Cable retention

- pull off **200** N mini  
- torque **NA** N.cm

**MECHANICAL CHARACTERISTICS**

Center contact retention		
Axial force – Mating end	<b>6.8</b>	N mini
Axial force – Opposite end	<b>6.8</b>	N mini
Torque	<b>NA</b>	N.cm mini

**TOOLING**

Part Number	Description	Hexagon
.	.	.
R282.051.000	STRIPPING TOOL	
R282.063.000	POINTER GAUGE	
R282.740.030	SOLDERING MOUNTING	
R282.743.120	POSITIONER FOR SOLDERING SMP	

Recommended torque		
Mating		N.cm
Panel nut		N.cm
Clamp nut		N.cm
A/F clamp nut	<b>0,0000</b>	mm

Mating life	<b>100</b>	Cycles mini
Weight	<b>0,5685</b>	g

**OTHER CHARACTERISTICS**

- \* ROS 1.7 at 12.4GHz
- \*\* ROS at 6GHz
- \*\*\*RF Leakage : -40dB min 3<F<6GHz

**ENVIRONMENTAL**

Operating temperature	<b>-55/+105</b>	$^{\circ}$ C
Hermetic seal		Atm.cm3/s
Panel leakage		

Issue : **0633 A**

In the effort to improve our products, we reserve the right to make changes judged to be necessary.



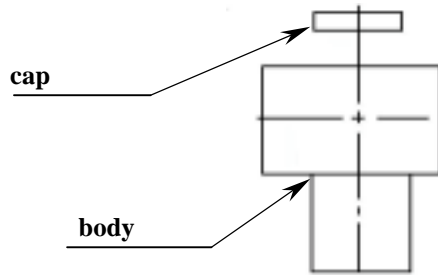
**RIGHT ANGLE PLUG SOLDER TYPE**

**R222.900.340**

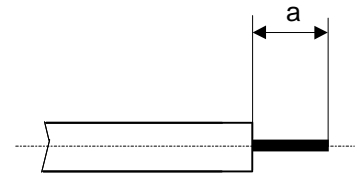
**CABLE .085**

Series : SMP-COM

**COMPONENT**



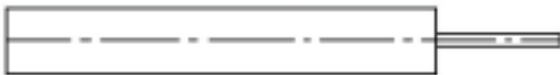
**STRIPPING CABLES**



We recommend a thermal preconditioning cable

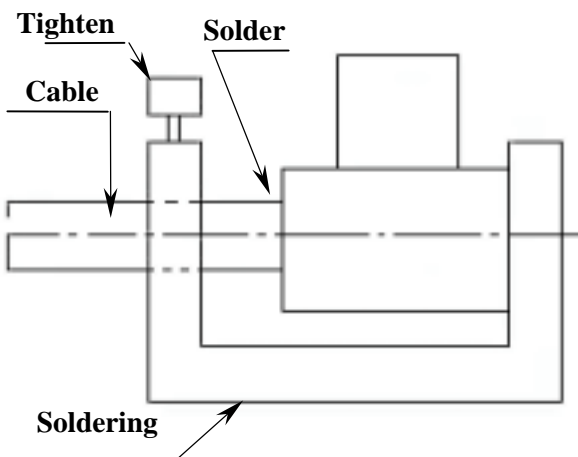
**1**

Strip the dielectric of the cable .  
Clean the cable .  
Soldering Sn Pb 180°  
Temperature stoking do not exceeded 250° max



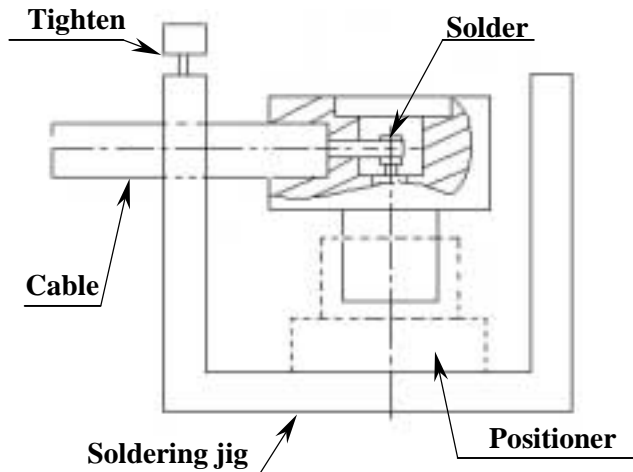
**2**

Slide cable and connector onto the soldering jig.  
Slide cable into connector until it bottoms against the body and tighten.  
Solder the body onto the cable .



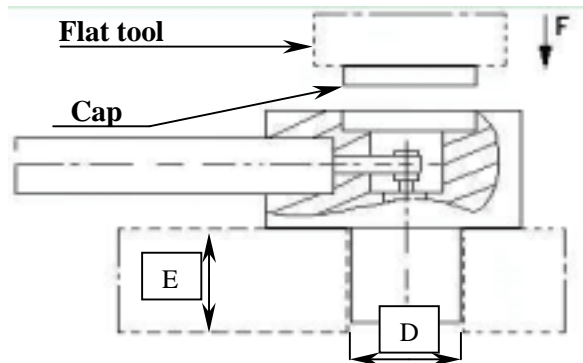
**3**

After cooling remove cable assembly from the jig .  
Slide body into positioner until it bottoms against the positioner .  
Slide cable assembly onto the jig .  
Tighten and solder the contact.  
After cooling remove cable assembly from the jig.



**4**

Place cable assembly into a dia  $D = 3.8 \pm 0.1$  and thickness  $E = 4 \pm 0.1$  .  
Place cable assembly above a flat pressing tool .  
To fit the cap until it bottoms against the body . (direction F)



Issue : 0633 A

In the effort to improve our products, we reserve the right to make changes judged to be necessary.



## X-ON Electronics

Largest Supplier of Electrical and Electronic Components

*Click to view similar products for [RF Connectors / Coaxial Connectors](#) category:*

*Click to view products by [Radiall](#) manufacturer:*

Other Similar products are found below :

[8915-1511-000](#) [89674-0827](#) [6001-7071-019](#) [6002-7051-003](#) [6002-7551-202](#) [6059674-1](#) [619550-1](#) [630059-000](#) [M39030/3-01N](#) [6500-7071-046](#) [6769](#) [CX050L2AQ](#) [7002-1541-010](#) [7002-1542-011](#) [7004-1512-000](#) [7009-1511-004](#) [7010-1511-000](#) [7029-1511-060](#) [7101-1541-010](#) [7101-1571-002](#) [7145-1521-002](#) [7203-1571-003](#) [7209-1511-011](#) [7210-1511-015](#) [7210-1511-019](#) [73137-5015](#) [73216-2241](#) [73404-2300](#) [7405-1521-005](#) [7405-1521-802](#) [8527](#) [8547](#) [FS11V](#) [877931](#) [8808-1511-001](#) [9049-9513-000](#) [9074-9513-000](#) [9101-9573-002](#) [910A205F](#) [9130-9573-002](#) [PL11SC-026](#) [PL375-33](#) [PL40-5](#) [PL74C-221](#) [PL75MC-217](#) [PL803-7](#) [1200690078](#) [1-201144-1](#) [R107003010W](#) [R110A172100](#)