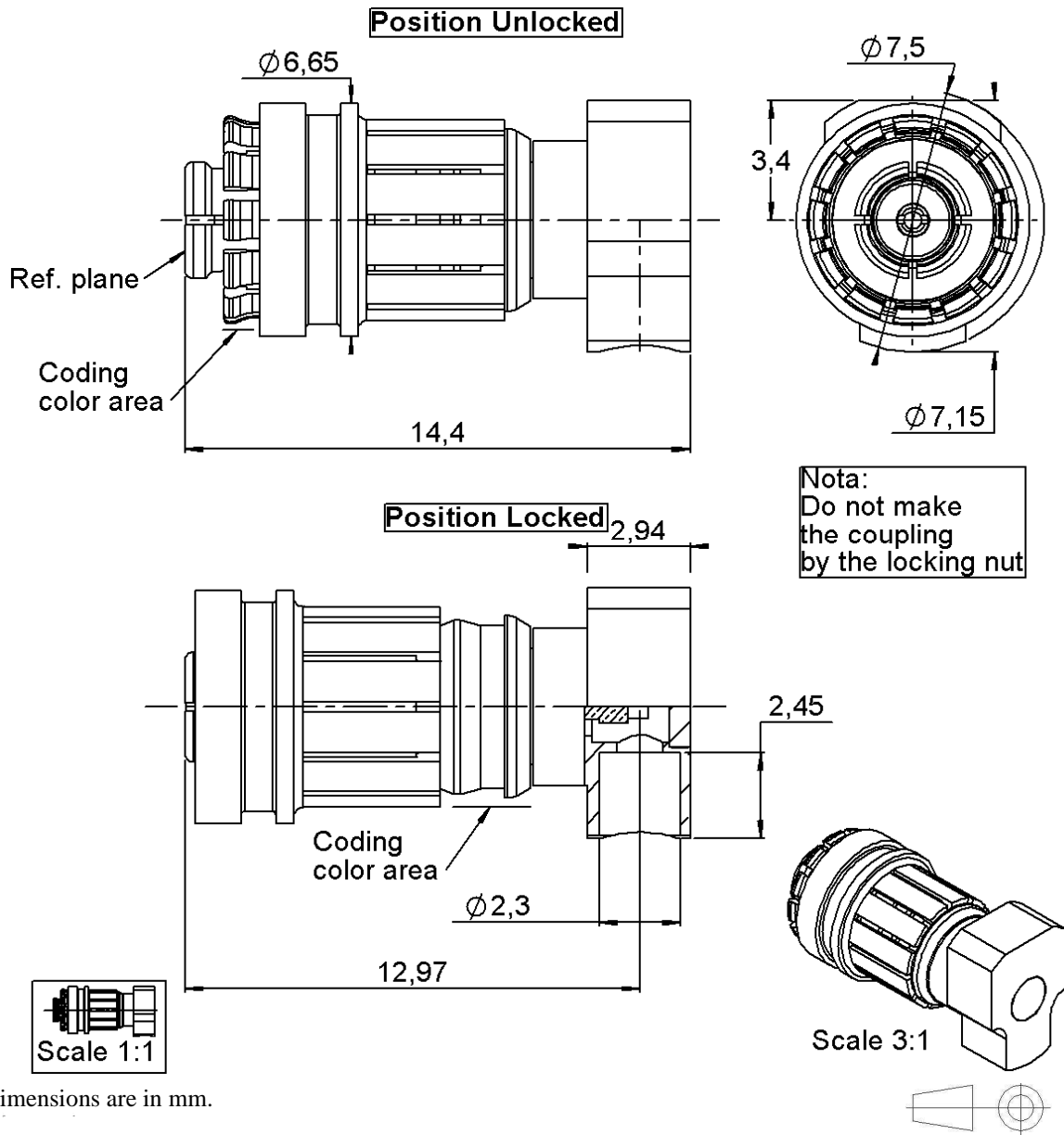


**FEMALE RIGHT ANGLE PLUG , SOLDER TYPE**

**R222.L80.300**

**CABLE .085**

Series : **SMP LOCK**



All dimensions are in mm.

COMPONENTS	MATERIALS	PLATING (µm)
BODY	BERYLLIUM COPPER, BRASS	N2PGR
CENTER CONTACT	BERYLLIUM COPPER	GOLD 1.27 OVER NICKEL 1.27
OUTER CONTACT	-	-
INSULATOR	PTFE+PEEK	-
GASKET	CuAg LOADED SILICONE RUBBER	NICKEL 2
OTHERS PARTS	BERYLLIUM COPPER	-
-	-	-
-	-	-

Issue : 1407A      A

In the effort to improve our products, we reserve the right to make changes judged to be necessary.



**FEMALE RIGHT ANGLE PLUG , SOLDER TYPE**

**R222.L80.300**

**CABLE .085**

Series : **SMP LOCK**

**PACKAGING**

Standard	Unit	Other
<b>100</b>	-	<b>Contact us</b>

**SPECIFICATION**

**ELECTRICAL CHARACTERISTICS**

Impedance		<b>50</b> Ω
Frequency		<b>0-26.5</b> GHz
VSWR	<b>1.3 +</b>	<b>0,0050</b> x F(GHz) Maxi
Insertion loss		<b>0.12</b> √F(GHz) dB Maxi
RF leakage	- (	<b>*90</b> - F(GHz)) dB Maxi
Voltage rating		<b>335</b> Veff Maxi
Dielectric withstanding voltage		<b>500</b> Veff mini
Insulation resistance		<b>5000</b> MΩ mini

**CABLE ASSEMBLY**

Stripping	a	b	c	d	e	f
mm	1,30	0,00	0,00	0,00	0,00	0,00

Assembly instruction :

Recommended cable(s)  
 BELN 1671A  
 RG 405  
 KS 1

**MECHANICAL CHARACTERISTICS**

Center contact retention		
Axial force – Mating end	<b>6.7</b>	N mini
Axial force – Opposite end	<b>6.7</b>	N mini
Torque	<b>NA</b>	N.cm mini

Characteristics indicated on this data sheet are those that can be achieved with the highest performance cable. Intrinsic limitations of the cable may diminish the performance of the assembly

Cable retention

- pull off	<b>**</b>	N mini
- torque		N.cm

**TOOLING**

Part Number	Description	Hexagon
R282051000	STRIPPING TOOL	
R282062010	POINTER GAUGE	
R282743120	POSITIONER FOR SOLDERING SMP	
R282740000	SOLDERING MOUNTING	

Recommended torque		
Mating	<b>NA</b>	N.cm
Panel nut	<b>NA</b>	N.cm
Clamp nut	<b>NA</b>	N.cm
A/F clamp nut	<b>0,0000</b>	mm
Mating life	<b>500</b>	Cycles mini
Weight	<b>2,2200</b>	g

**ENVIRONMENTAL**

Operating temperature	<b>-55/+125</b>	° C
Hermetic seal	<b>NA</b>	Atm.cm3/s
Panel leakage	<b>NA</b>	

**OTHER CHARACTERISTICS**

\*-90 up to 18 GHz  
 \*\* See the TDS of the cable assembly  
 500 matings/dematings of the locking sleeve

Issue : 1407A      A

In the effort to improve our products, we reserve the right to make changes judged to be necessary.



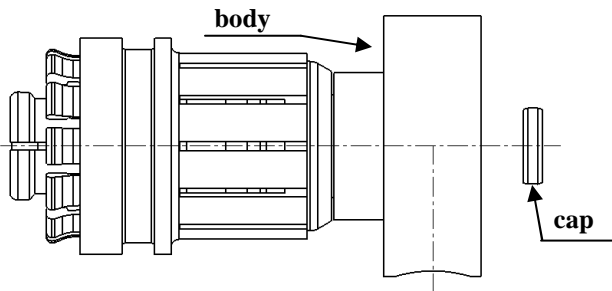
**FEMALE RIGHT ANGLE PLUG , SOLDER TYPE**

**R222.L80.300**

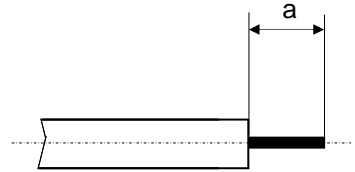
**CABLE .085**

Series : SMP LOCK

**COMPONENTS**



**STRIPPING DIMENSION**

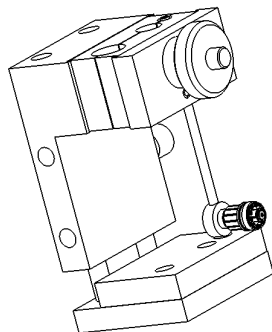
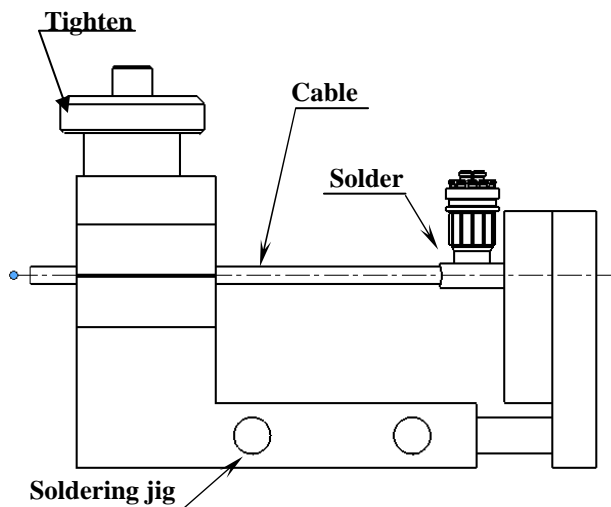


We recommend a thermal preconditioning cable

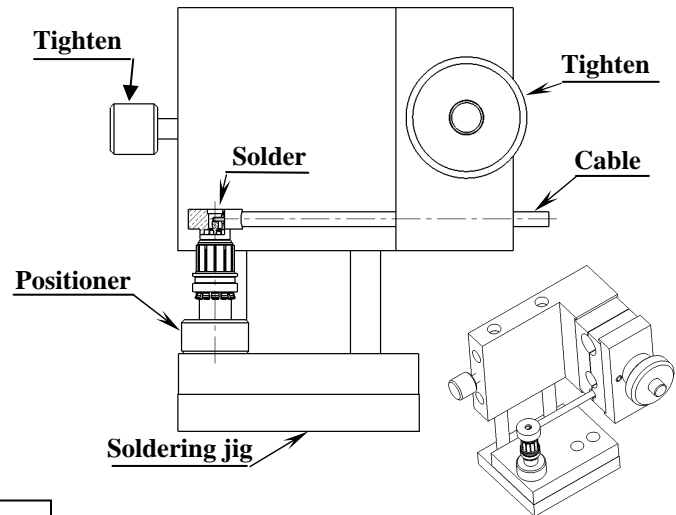
- 1** Strip the cable .  
Clean the cable .  
The iron temperature shall not exceed 250°C max



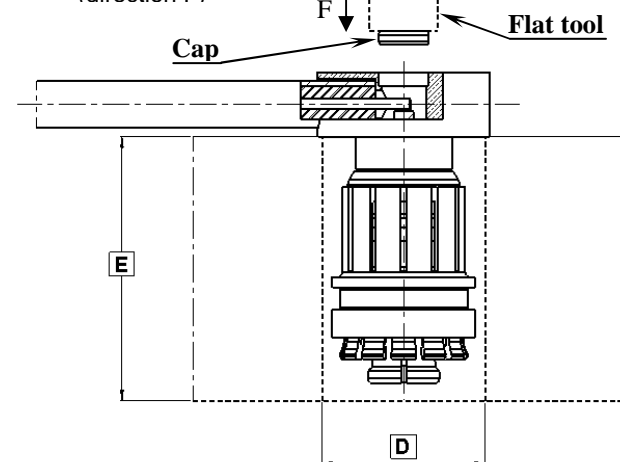
- 2** Check the orientation of the "U shape" of the center contact and align if necessary.  
Insert the assembly in the soldering jig and tighten.  
Slide cable into connector until it bottoms against the body and tighten.  
Solder the body onto the cable .



- 3** After cooling remove the cable assembly from the jig.  
Slide the body in position unlocked into the positioner until its bottoms against the positioner .  
Slide cable assembly into the jig and tighten.  
Solder the center contact.  
After cooling remove cable assembly from the jig.



- 4** Place cable assembly into a dia D = 6.85 +/-0.1 and thickness E = 12.3 +/-0.1 .  
Place cable assembly below a flat pressing tool .  
Press-fit the cap until it bottoms against the body . (direction F)



Issue : 1407A A

In the effort to improve our products, we reserve the right to make changes judged to be necessary.



## X-ON Electronics

Largest Supplier of Electrical and Electronic Components

*Click to view similar products for [RF Connectors / Coaxial Connectors](#) category:*

*Click to view products by [Radiall](#) manufacturer:*

Other Similar products are found below :

[8915-1511-000](#) [89674-0827](#) [6001-7071-019](#) [6002-7051-003](#) [6002-7551-202](#) [6059674-1](#) [619550-1](#) [630059-000](#) [M39030/3-01N](#) [6500-7071-046](#) [6769](#) [CX050L2AQ](#) [7002-1541-010](#) [7002-1542-011](#) [7004-1512-000](#) [7009-1511-004](#) [7010-1511-000](#) [7029-1511-060](#) [7101-1541-010](#) [7101-1571-002](#) [7105-1521-002](#) [7145-1521-002](#) [7203-1571-003](#) [7209-1511-011](#) [7210-1511-015](#) [7210-1511-019](#) [73137-5015](#) [73216-2241](#) [73404-2300](#) [7405-1521-005](#) [7405-1521-802](#) [8527](#) [8547](#) [FS11V](#) [877931](#) [8808-1511-001](#) [9074-9513-000](#) [9101-9573-002](#) [910A205F](#) [9130-9573-002](#) [PL11SC-026](#) [PL375-33](#) [PL40-5](#) [PL74C-221](#) [PL75MC-217](#) [PL803-7](#) [1200690078](#) [1-201144-1](#) [R107003010W](#) [R110A172100](#)