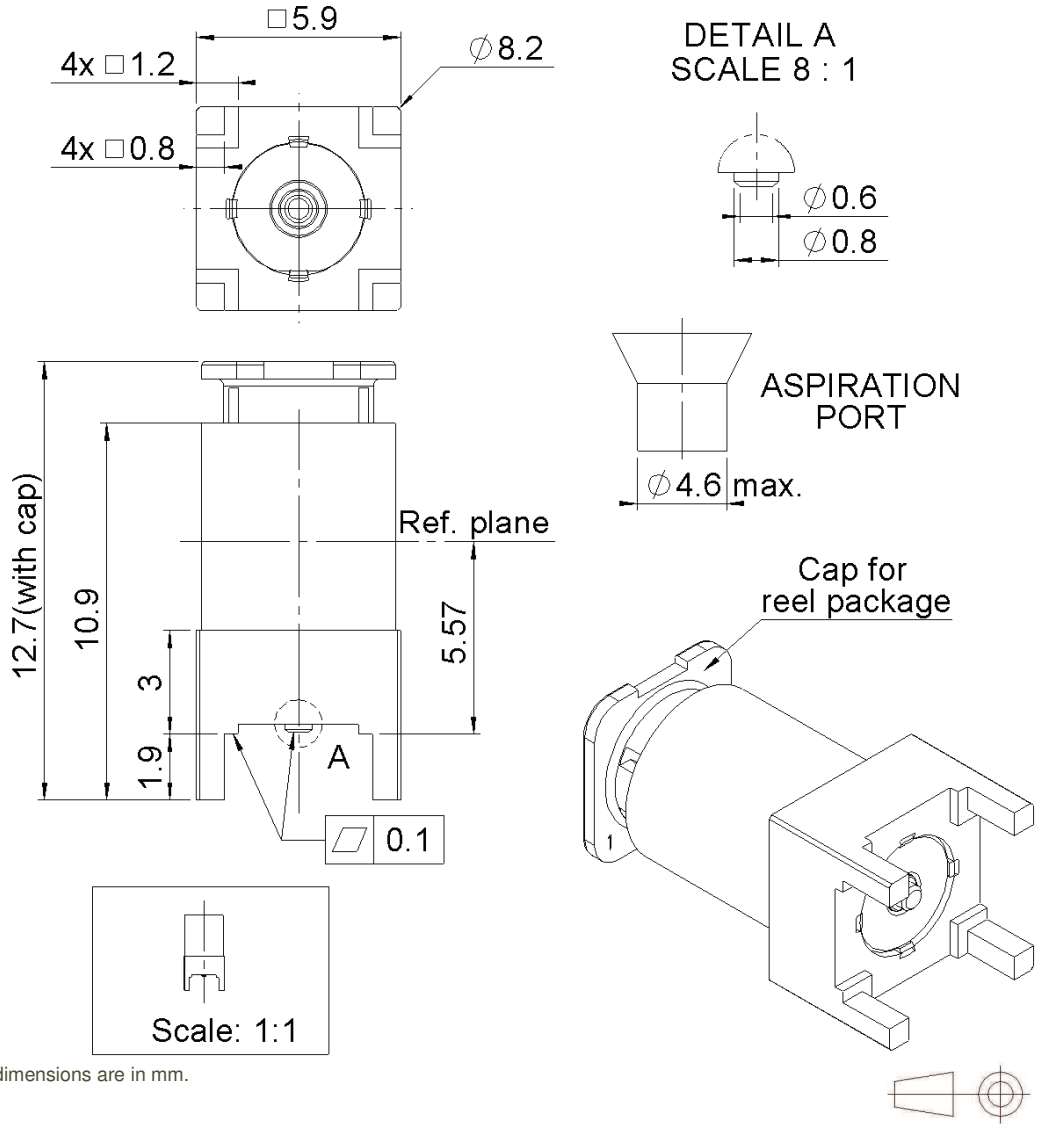


PAGE 1/5	ISSUE 1307D	SERIES SMP-MAX	PART NUMBER R222M00090
----------	-------------	----------------	------------------------



All dimensions are in mm.

COMPONENTS	MATERIALS	PLATING (µm)
Body	BRASS	NPGR
Center contact	BRASS	NPGR
Outer contact		
Insulator	PTFE/LCP/PEEK	
Gasket		
Others parts	PTFE/LCP/PEEK	
-	-	-
-	-	-

PAGE 2/5	ISSUE 1307D	SERIES SMP-MAX	PART NUMBER R222M00090
----------	-------------	----------------	------------------------

PACKAGING

Standard	Unit	Other
350	Contact us	Contact us

ELECTRICAL CHARACTERISTICS

Impedance		50	Ω
Frequency		0-6	GHz
VSWR	1.04* +	0.0200	x F(GHz) Maxi
Insertion loss		0.05*	√F(GHz) dB Maxi
RF leakage	- (NA	- F(GHz)) dB Maxi
Voltage rating		335	Veff Maxi
Dielectric withstanding voltage		1000	Veff mini
Insulation resistance		5000	MΩ mini

MECHANICAL CHARACTERISTICS

Center contact retention			
Axial force – Mating End		7	N mini
Axial force – Opposite end		7	N mini
Torque		NA	N.cm mini
Recommended torque			
Mating		NA	N.cm
Panel nut		NA	N.cm
Mating life		100	Cycles mini
Weight		1.4200	g

ENVIRONMENTAL

Operating temperature	-55/+165	°C
Hermetic seal	NA	Atm.cm3/s
Panel leakage	NA	

SPECIFICATION

OTHER CHARACTERISTICS

Assembly instruction:

Others:

***Coaxial Transmission Line Only**

Power handling(typical)

>300W@2.7GHz at 25°C; >200W@2.7GHz at 85°C

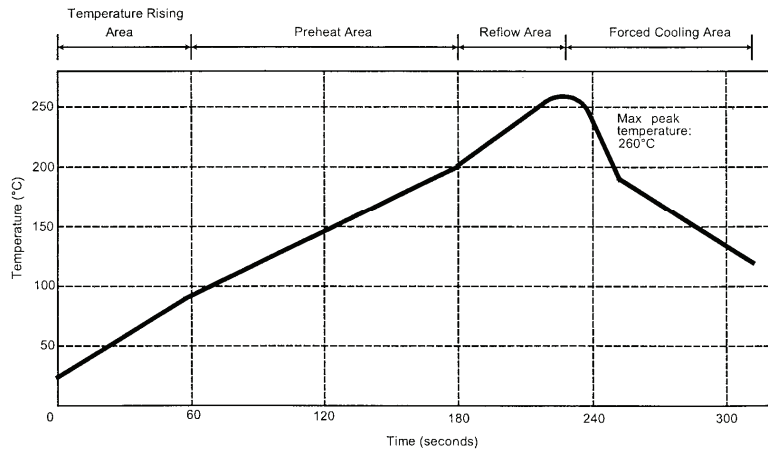
PAGE 3/5	ISSUE 1307D	SERIES SMP-MAX	PART NUMBER R222M00090
----------	-------------	----------------	------------------------

SOLDER PROCEDURE

1. Deposit solder paste 'SnAg4Cu0.5' on mounting zone by screen printing application. We recommend a low residue flux. We advise a thickness of 150 micromm (5.850 microinch). Verify that the edges of the zone are clean.
2. Placement of the receptacle on the mounting zone with an automatic machine of 'pick and place' type. A video camera is recommended for positioning of the component. Adhesive agents must not be used on the receptacle.
3. This process of soldering has been tested with convection oven .Below please find, the typical profile to use.
4. The cleaning of printed circuit boards is not obliged.

Verification of solder joints and position of the component by visual inspection.

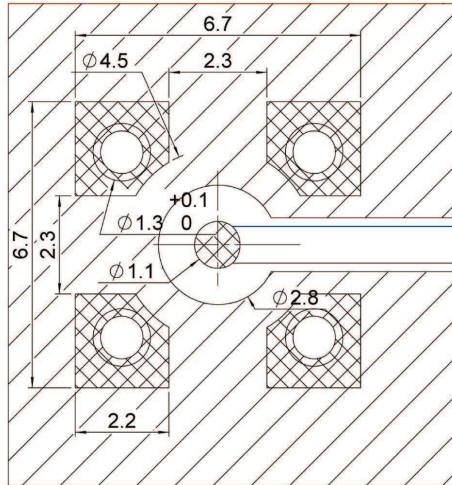
TEMPERATURE PROFILE





Parameter	Value	Unit
Temperature rising Area	1 - 4	°C/sec
Max Peak Temperature	260	°C
Max dwell time @260°C	10	sec
Min dwell time @235°C	20	sec
Max dwell time @235°C	60	sec
Temperature drop in cooling Area	-1 to - 4	°C/sec
Max dwell time above 100°C	420	sec

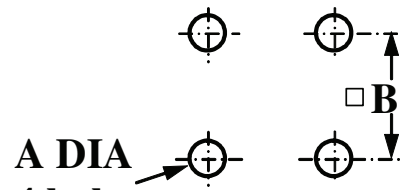
PAGE 4/5	ISSUE 1307D	SERIES SMP-MAX	PART NUMBER R222M00090
----------	-------------	----------------	------------------------

PCB



 Lands for solder paste
 Pattern

PANEL CUT OUT



A DIA
4 holes

	mm	
	Maxi	mini
A	1.4	1.3
B	5.13	5.03

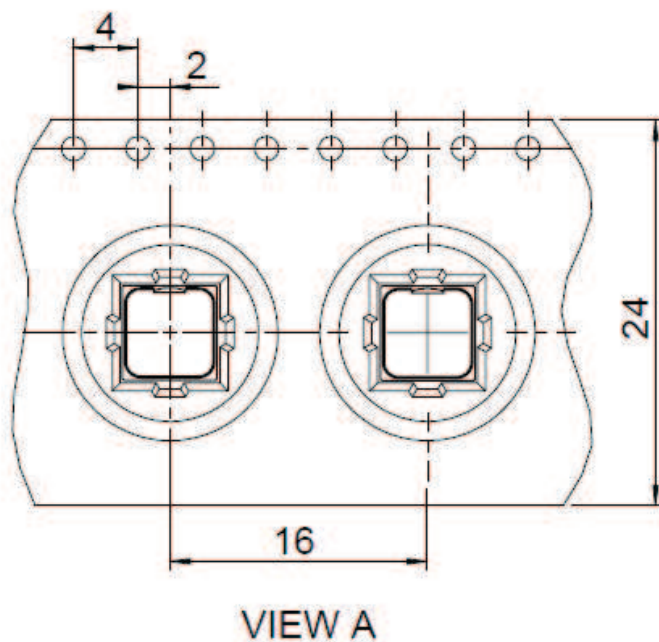
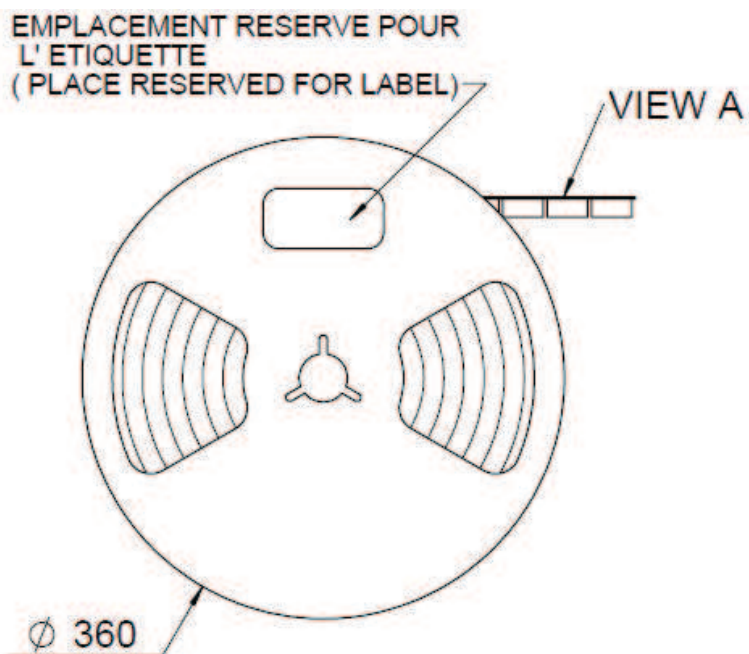
NOTE: Due to the potential large variation of performance depending on PCB and line parameters, we recommend the user to process a RF analyze of the connector mounted on his PCB

Shadow of receptacle for video camera



PAGE 5/5	ISSUE 1307D	SERIES SMP-MAX	PART NUMBER R222M00090
----------	-------------	----------------	------------------------

PACKAGE



X-ON Electronics

Largest Supplier of Electrical and Electronic Components

Click to view similar products for [RF Connectors / Coaxial Connectors](#) category:

Click to view products by [Radiall](#) manufacturer:

Other Similar products are found below :

[8915-1511-000](#) [89674-0827](#) [6001-7071-019](#) [6002-7051-003](#) [6002-7551-202](#) [6059674-1](#) [619550-1](#) [630059-000](#) [M39030/3-01N](#) [6500-7071-046](#) [6769](#) [CX050L2AQ](#) [7002-1541-010](#) [7002-1542-011](#) [7004-1512-000](#) [7009-1511-004](#) [7010-1511-000](#) [7029-1511-060](#) [7101-1541-010](#) [7101-1571-002](#) [7145-1521-002](#) [7203-1571-003](#) [7209-1511-011](#) [7210-1511-015](#) [7210-1511-019](#) [73137-5015](#) [73216-2241](#) [73404-2300](#) [7405-1521-005](#) [7405-1521-802](#) [8527](#) [8547](#) [FS11V](#) [877931](#) [9049-9513-000](#) [9074-9513-000](#) [9101-9573-002](#) [910A205F](#) [9130-9573-002](#) [PL11SC-026](#) [PL375-33](#) [PL40-5](#) [PL74C-221](#) [PL75MC-217](#) [PL803-7](#) [980-8666-005](#) [1200690078](#) [1-201144-1](#) [R107003010W](#) [R110A172100](#)