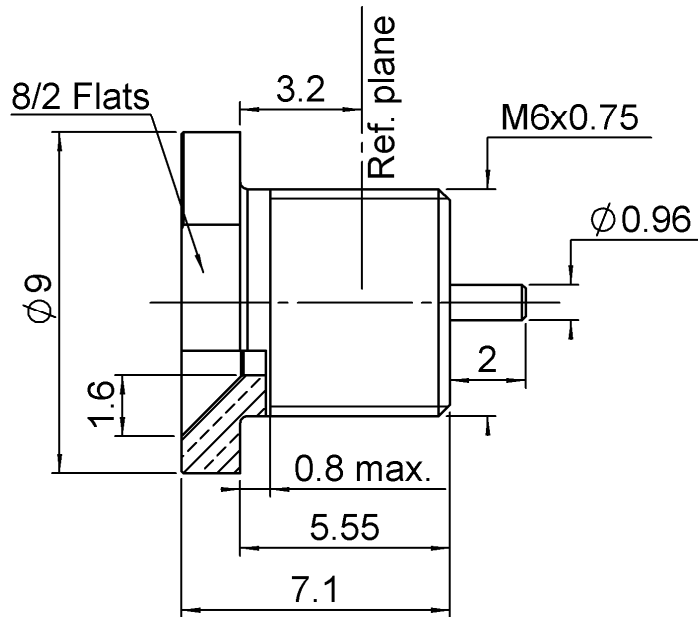


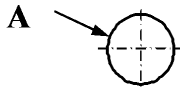
**SCREW-ON MALE RECEPTACLE**  
**SLIDE TYPE - WITH CYLINDRICAL CONTACT**

**R222.M10.700**

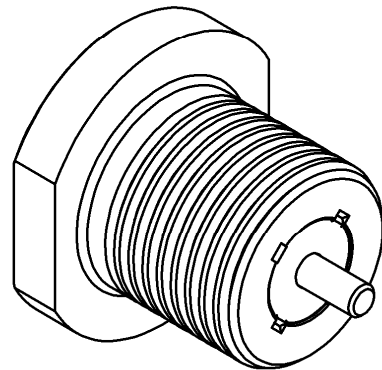
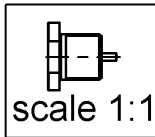
Series : SMP-MAX



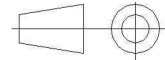
**PANEL CUT OUT**



	mm
A	M6x0.75



All dimensions are in mm.



COMPONENTS	MATERIALS	PLATING (µm)
BODY	BRASS	NPGR
CENTER CONTACT	BRASS	NPGR
OUTER CONTACT		
INSULATOR	PTFE	
GASKET		
OTHERS PARTS		
-	-	-
-	-	-

Issue : 1107 A

In the effort to improve our products, we reserve the right to make changes judged to be necessary.



**SCREW-ON MALE RECEPTACLE**

**R222.M10.700**

**SLIDE TYPE - WITH CYLINDRICAL CONTACT**

Series : **SMP-MAX**

**PACKAGING**

**SPECIFICATION**

Standard	Unit	Other
<b>100</b>	<b>'W' option</b>	<b>Contact us</b>

**ELECTRICAL CHARACTERISTICS**

**ENVIRONMENTAL**

Impedance	<b>50</b>	$\Omega$
Frequency	<b>0-6</b>	GHz
VSWR	<b>1.25*</b> + <b>0,0000</b>	x F(GHz) Maxi
Insertion loss	<b>0.15*</b>	$\sqrt{F}$ (GHz) dB Maxi
RF leakage	- ( <b>NA</b> )	- F(GHz)) dB Maxi
Voltage rating	<b>335</b>	Veff Maxi
Dielectric withstanding voltage	<b>1000</b>	Veff mini
Insulation resistance	<b>5000</b>	M $\Omega$ mini

Operating temperature	<b>-55/+165</b>	$^{\circ}$ C
Hermetic seal	<b>NA</b>	Atm.cm3/s
Panel leakage	<b>NA</b>	

**OTHER CHARACTERISTICS**

Assembly instruction

Others :

\*VSWR:up to 3GHz; 3-6GHz,1.35 max

\*Coaxial Transmission Line Only

\*Slide type receptacle+Bullet+Snap type receptacle

Typical VSWR(Board to Board connection):

0-3GHz, 1.2max

Power handling (typical) :

>300W@2.7GHz at 25 $^{\circ}$ C: >200W@2.7GHz at 85 $^{\circ}$ C

Radial working angle: 3 $^{\circ}$ min

Axial working range: 2mm

**MECHANICAL CHARACTERISTICS**

Center contact retention		
Axial force – Mating end	<b>7</b>	N mini
Axial force – Opposite end	<b>7</b>	N mini
Torque	<b>NA</b>	N.cm mini
Recommended torque		
Mating	<b>NA</b>	N.cm
Panel nut	<b>100</b>	N.cm
Mating life	<b>100</b>	Cycles mini
Weight	<b>1,4170</b>	g

Issue : 1107 A

In the effort to improve our products, we reserve the right to make changes judged to be necessary.



## X-ON Electronics

Largest Supplier of Electrical and Electronic Components

*Click to view similar products for [RF Connectors / Coaxial Connectors](#) category:*

*Click to view products by [Radiall](#) manufacturer:*

Other Similar products are found below :

[8915-1511-000](#) [89674-0827](#) [6001-7071-019](#) [6002-7051-003](#) [6002-7551-202](#) [6059674-1](#) [619550-1](#) [630059-000](#) [M39030/3-01N](#) [6500-7071-046](#) [6769](#) [CX050L2AQ](#) [7002-1541-010](#) [7002-1542-011](#) [7004-1512-000](#) [7009-1511-004](#) [7010-1511-000](#) [7029-1511-060](#) [7101-1541-010](#) [7101-1571-002](#) [7145-1521-002](#) [7203-1571-003](#) [7209-1511-011](#) [7210-1511-015](#) [7210-1511-019](#) [73137-5015](#) [73216-2241](#) [73404-2300](#) [7405-1521-005](#) [7405-1521-802](#) [8527](#) [8547](#) [FS11V](#) [877931](#) [8808-1511-001](#) [9074-9513-000](#) [9101-9573-002](#) [910A205F](#) [9130-9573-002](#) [PL11SC-026](#) [PL375-33](#) [PL40-5](#) [PL74C-221](#) [PL75MC-217](#) [PL803-7](#) [1200690078](#) [1-201144-1](#) [R107003010W](#) [R110A172100](#) [R112186000](#)