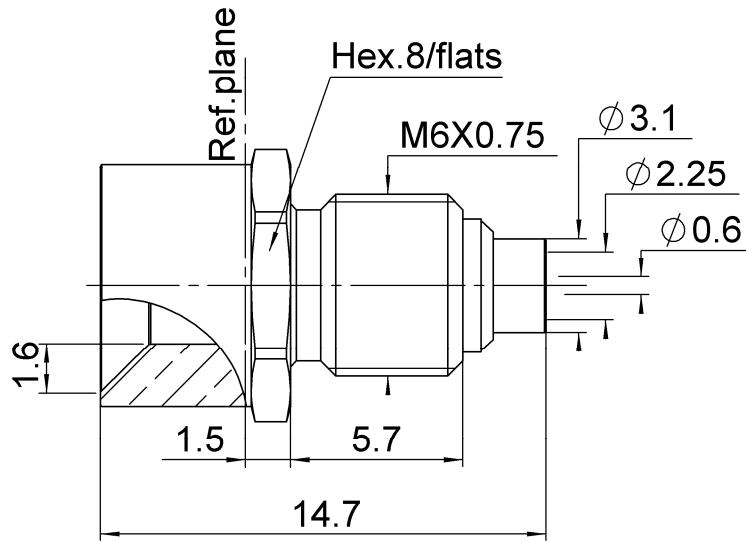


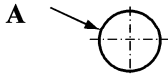
**SCREW ON STRAIGHT MALE JACK SOLDER TYPE**  
**SLIDE TYPE - CABLE .085**

**R222.M20.700**

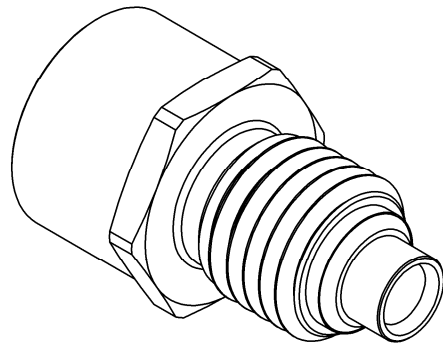
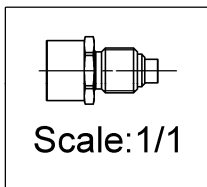
Series : SMP-MAX



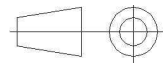
**PANEL CUT OUT**



mm	
Maxi	mini
A	M6×0.75



All dimensions are in mm.



COMPONENTS	MATERIALS	PLATING (µm)
BODY	BRASS	BBR, GOLD OVER NICKEL
CENTER CONTACT	BRASS	NPGR
OUTER CONTACT		
INSULATOR	PTFE	
GASKET		
OTHERS PARTS		
-	-	-
-	-	-

Issue : 1107 A

In the effort to improve our products, we reserve the right to make changes judged to be necessary.



**SCREW ON STRAIGHT MALE JACK SOLDER TYPE**

**R222.M20.700**

**SLIDE TYPE - CABLE .085**

Series : **SMP-MAX**

**PACKAGING**

Standard	Unit	Other
<b>100</b>	<b>'W' option</b>	<b>Contact us</b>

**SPECIFICATION**

**ELECTRICAL CHARACTERISTICS**

Impedance	<b>50</b>	$\Omega$
Frequency	<b>0-6</b>	GHz
VSWR	<b>1.25* + 0,0000</b>	x F(GHz) Maxi
Insertion loss	<b>0.15*</b>	$\sqrt{F}$ (GHz) dB Maxi
RF leakage	- ( <b>NA</b> )	- F(GHz)) dB Maxi
Voltage rating	<b>335</b>	Veff Maxi
Dielectric withstanding voltage	<b>750</b>	Veff mini
Insulation resistance	<b>5000</b>	M $\Omega$ mini

**CABLE ASSEMBLY**

Stripping	a	b	c	d	e	f
mm	2,00	0,00	0,00	0,00	1,00	0,00

Assembly instruction :

Recommended cable(s)  
RG 405  
KS 1

Characteristics indicated on this data sheet are those that can be achieved with the highest performance cable. Intrinsic limitations of the cable may diminish the performance of the assembly

Cable retention

- pull off **155** N mini
- torque **NA** N.cm

**MECHANICAL CHARACTERISTICS**

Center contact retention		
Axial force – Mating end	<b>NA</b>	N mini
Axial force – Opposite end	<b>NA</b>	N mini
Torque	<b>NA</b>	N.cm mini

**TOOLING**

Part Number	Description	Hexagon
.	.	.
R282.740.020	SOLDERING MOUNTING	
R282.744.430	POSITIONER FOR SOLDERING SMP-MAX MALE	

Recommended torque		
Mating	<b>NA</b>	N.cm
Panel nut	<b>100</b>	N.cm
Clamp nut	<b>NA</b>	N.cm
A/F clamp nut	<b>0,0000</b>	mm

Mating life	<b>100</b>	Cycles mini
Weight	<b>3,0450</b>	g

**OTHER CHARACTERISTICS**

- \* VSWR: up to 3GHz; 3-6GHz, 1.35max
- \*Slide type connector+Bullet+Snap type receptacle

Radial working angle: 3°min  
Axial working range: 2mm

**ENVIRONMENTAL**

Operating temperature	<b>-55/+165</b>	° C
Hermetic seal	<b>NA</b>	Atm.cm3/s
Panel leakage	<b>NA</b>	

Issue : **1107 A**

In the effort to improve our products, we reserve the right to make changes judged to be necessary.

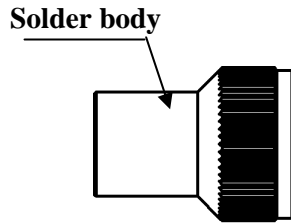
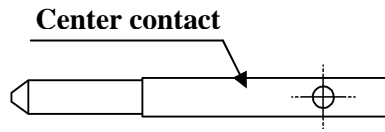


**SCREW ON STRAIGHT MALE JACK SOLDER TYPE**  
**SLIDE TYPE - CABLE .085**

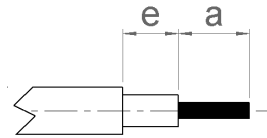
**R222.M20.700**

Series : SMP-MAX

**COMPONENTS**

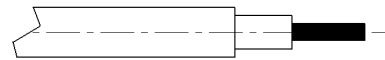


**STRIPPING DIMENSIONS**



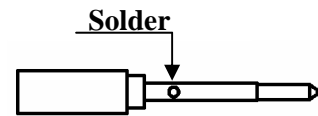
1

Cable stripping.



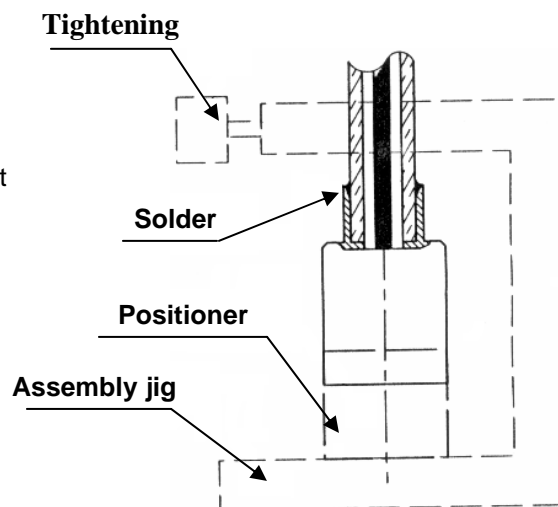
2

Tin centre contact solder pot.  
 Solder centre contact on cable inner conductor.  
 Clean solder.



3

Put positioner R282.744.430 on the soldering jig.  
 Introduce cable into the connector body until contact with the body shoulder.  
 Place the sub assembly into the assembly jig R282 740 020 (or equivalent).  
 Put 3 rings of solder around the cable and solder.  
 Let the assembly cool down before removing it from the jig.  
 Clean solder.



Issue : 1107 A

In the effort to improve our products, we reserve the right to make changes judged to be necessary.



## X-ON Electronics

Largest Supplier of Electrical and Electronic Components

*Click to view similar products for [RF Connectors / Coaxial Connectors](#) category:*

*Click to view products by [Radiall](#) manufacturer:*

Other Similar products are found below :

[8915-1511-000](#) [89674-0827](#) [6001-7071-019](#) [6002-7051-003](#) [6002-7551-202](#) [6059674-1](#) [619550-1](#) [630059-000](#) [M39030/3-01N](#) [6500-7071-046](#) [6769](#) [CX050L2AQ](#) [7002-1541-010](#) [7002-1542-011](#) [7004-1512-000](#) [7009-1511-004](#) [7010-1511-000](#) [7029-1511-060](#) [7101-1541-010](#) [7101-1571-002](#) [7145-1521-002](#) [7203-1571-003](#) [7209-1511-011](#) [7210-1511-015](#) [7210-1511-019](#) [73137-5015](#) [73216-2241](#) [73404-2300](#) [7405-1521-005](#) [7405-1521-802](#) [8527](#) [8547](#) [FS11V](#) [877931](#) [8808-1511-001](#) [9049-9513-000](#) [9074-9513-000](#) [9101-9573-002](#) [910A205F](#) [9130-9573-002](#) [PL11SC-026](#) [PL375-33](#) [PL40-5](#) [PL74C-221](#) [PL75MC-217](#) [PL803-7](#) [980-8666-005](#) [1200690078](#) [1-201144-1](#) [R107003010W](#)