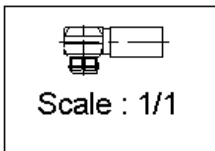
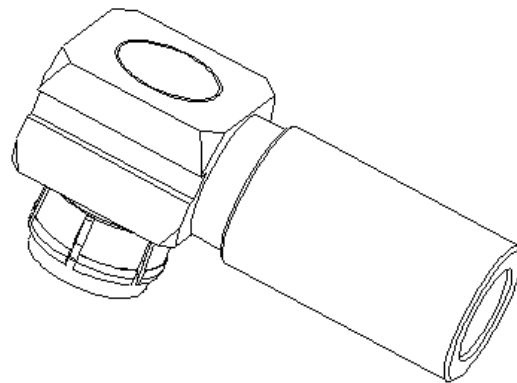
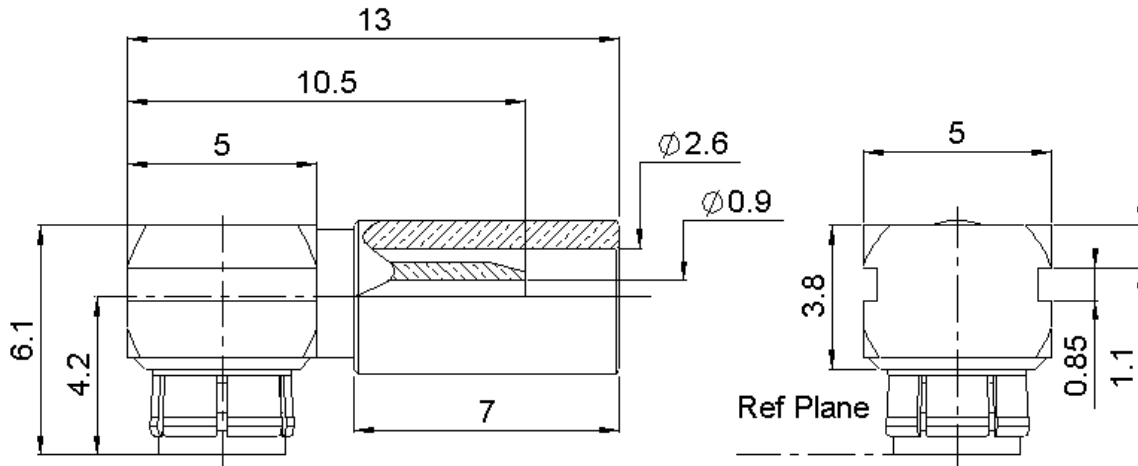


RIGHT ANGLE PLUG CRIMP TYPE

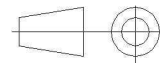
R223.181.000

CABLE 2/50S

Series : MMBX



All dimensions are in mm.



COMPONENTS	MATERIALS	PLATING (µm)
BODY	BRASS	NPGR
CENTER CONTACT	BERYLLIUM COPPER	NPGR
OUTER CONTACT	BERYLLIUM COPPER	NPGR
INSULATOR	PTFE	
GASKET		
OTHERS PARTS	BRASS	
.	.	.
.	.	.

Issue : 0735 B

In the effort to improve our products, we reserve the right to make changes judged to be necessary.



RIGHT ANGLE PLUG CRIMP TYPE

R223.181.000

CABLE 2/50S

Series : MMBX

PACKAGING

Standard	Unit	Other
100	'W' option	Contact us

SPECIFICATION

ELECTRICAL CHARACTERISTICS

Impedance		50	Ω
Frequency		0-12.4	GHz
VSWR	1.22 +	0,0000	x F(GHz) Maxi
Insertion loss		0.18	\sqrt{F} (GHz) dB Maxi
RF leakage	- (100	- F(GHz)) dB Maxi
Voltage rating		165	Veff Maxi
Dielectric withstanding voltage		500	Veff mini
Insulation resistance		1000	M Ω mini

CABLE ASSEMBLY

Stripping	a	b	c	d	e	f
mm	1,50	4,50	9,00	0,00	7,50	0,00

Assembly instruction :

Recommended cable(s)
 RG 178
 RG 196

Characteristics indicated on this data sheet are those that can be achieved with the highest performance cable. Intrinsic limitations of the cable may diminish the performance of the assembly

Cable retention

- pull off	58 N mini
- torque	NA N.cm

MECHANICAL CHARACTERISTICS

Center contact retention		
Axial force – Mating end	10	N mini
Axial force – Opposite end	10	N mini
Torque	NA	N.cm mini

TOOLING

Part Number	Description	Hexagon
.	.	.
R282.235.905	CRIMPING DIES	3.3
R282.868.000	EXTRACTION ASSEMBLY TOOL	
R282.293.000	CRIMPING TOOL M22520/5-01	

Recommended torque		
Mating	NA	N.cm
Panel nut	NA	N.cm
Clamp nut	NA	N.cm
A/F clamp nut	0,0000	mm

Mating life	100	Cycles mini
Weight	1,2640	g

OTHER CHARACTERISTICS

to 6 GHz
 Interface MMBX only up to 2.5GHz

ENVIRONMENTAL

Operating temperature	-55/+155	$^{\circ}$ C
Hermetic seal	NA	Atm.cm3/s
Panel leakage	NA	

Issue : 0735 B

In the effort to improve our products, we reserve the right to make changes judged to be necessary.



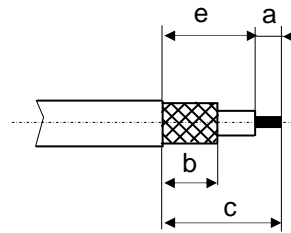
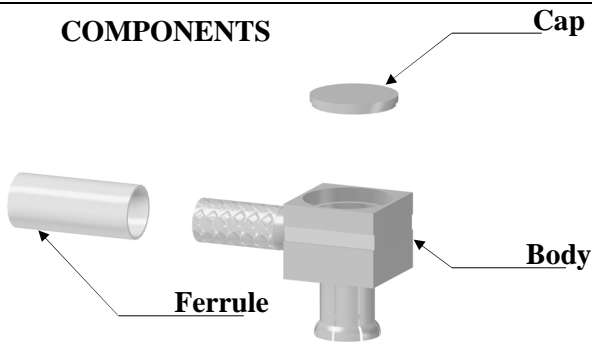
RIGHT ANGLE PLUG CRIMP TYPE

R223.181.000

CABLE 2/50S

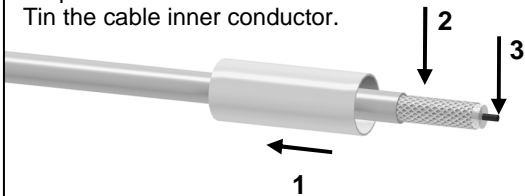
Series : MMBX

COMPONENTS



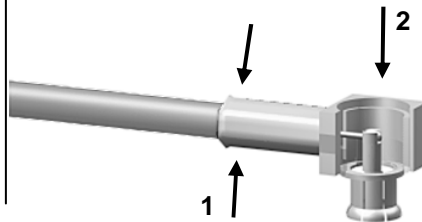
1

Slide the ferrule onto the cable.
Strip the cable.
Tin the cable inner conductor.



4

Crimp the ferrule with crimping tool (see connector TDS).
Solder the inner conductor.



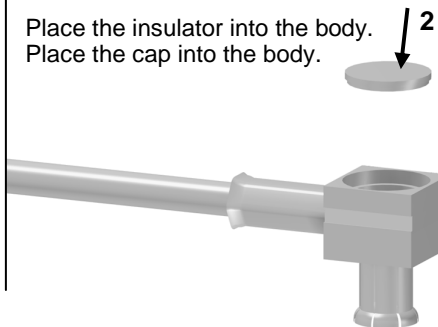
2

Fan the braid.



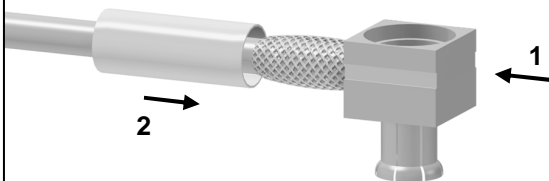
5

Place the insulator into the body.
Place the cap into the body.



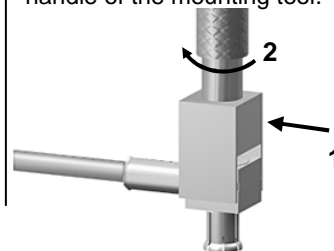
3

Push the connector body under the braid.
Slide the ferrule over the braid.



6

Slide mounting tool R282.868.000 onto the body grooves.
Drive the cap into rear opening of body by rotating the handle of the mounting tool.



Issue : 0735 B

In the effort to improve our products, we reserve the right to make changes judged to be necessary.



X-ON Electronics

Largest Supplier of Electrical and Electronic Components

Click to view similar products for [RF Connectors / Coaxial Connectors](#) category:

Click to view products by [Radiall](#) manufacturer:

Other Similar products are found below :

[8915-1511-000](#) [89674-0827](#) [6001-7071-019](#) [6002-7051-003](#) [6002-7551-202](#) [6059674-1](#) [619550-1](#) [630059-000](#) [M39030/3-01N](#) [6500-7071-046](#) [6769](#) [CX050L2AQ](#) [7002-1541-010](#) [7002-1542-011](#) [7004-1512-000](#) [7009-1511-004](#) [7010-1511-000](#) [7029-1511-060](#) [7101-1541-010](#) [7101-1571-002](#) [7145-1521-002](#) [7203-1571-003](#) [7209-1511-011](#) [7210-1511-015](#) [7210-1511-019](#) [73137-5015](#) [73216-2241](#) [73404-2300](#) [7405-1521-005](#) [7405-1521-802](#) [8527](#) [8547](#) [FS11V](#) [877931](#) [8808-1511-001](#) [9049-9513-000](#) [9074-9513-000](#) [9101-9573-002](#) [910A205F](#) [9130-9573-002](#) [PL11SC-026](#) [PL375-33](#) [PL40-5](#) [PL74C-221](#) [PL75MC-217](#) [PL803-7](#) [980-8666-005](#) [1200690078](#) [1-201144-1](#) [R107003010W](#)