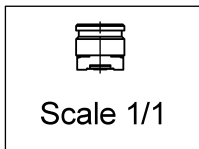
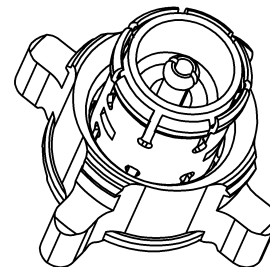
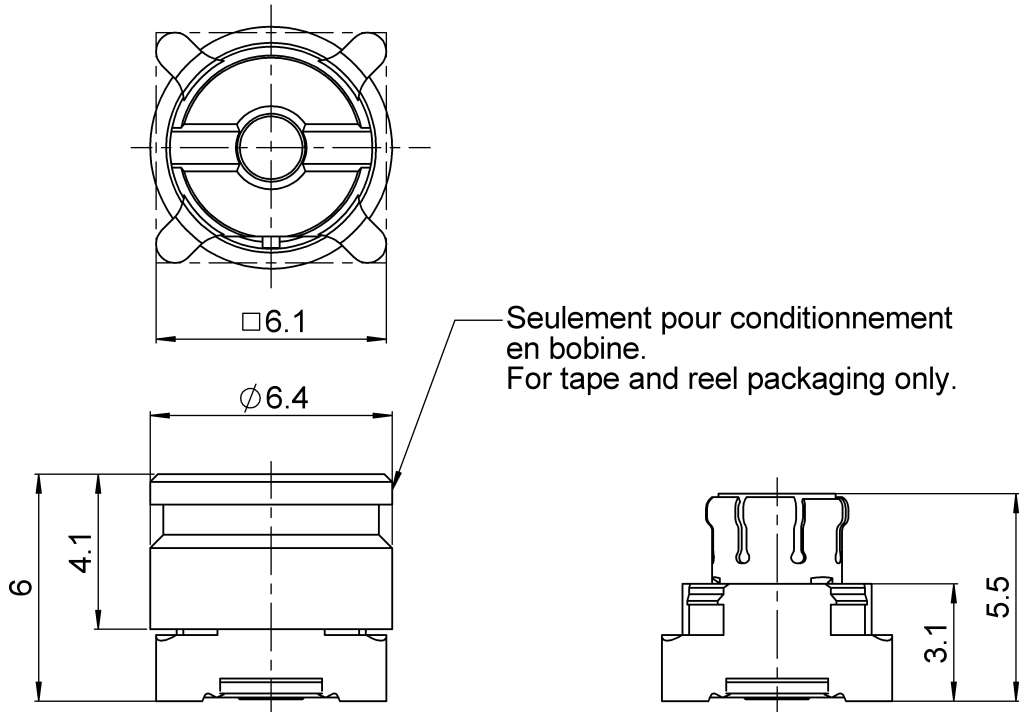
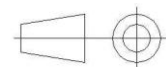


PAGE 1/5	ISSUE 25-01-16D	SERIES MMBX	PART NUMBER R223434800
----------	-----------------	-------------	------------------------



All dimensions are in mm.



COMPONENTS	MATERIALS	PLATING (μm)
Body	<b>BERYLLIUM COPPER; BRASS</b>	<b>NPGR</b>
Center contact	<b>BERYLLIUM COPPER; BRASS</b>	<b>NPGR</b>
Outer contact	-	
Insulator	<b>LIQUID CRYSTAL POLYMER</b>	
Gasket		
Others parts	<b>PTFE</b>	
-	-	-
-	-	-

PAGE 2/5	ISSUE <b>25-01-16D</b>	SERIES <b>MMBX</b>	<b>PART NUMBER R223434800</b>
----------	------------------------	--------------------	-------------------------------

**PACKAGING**

Standard	Unit	Other
<b>750</b>	<b>Contact us</b>	<b>Contact us</b>

**ELECTRICAL CHARACTERISTICS**

Impedance		<b>50</b>	Ω	
Frequency		<b>0-12.4</b>	GHz	
VSWR	<b>1.065*</b>	<b>+</b>	<b>0.0000</b>	x F(GHz) Maxi
Insertion loss			<b>0.12</b>	√F(GHz) dB Maxi
RF leakage	-	(	<b>100**</b>	- F(GHz)) dB Maxi
Voltage rating			<b>330</b>	Veff Maxi
Dielectric withstanding voltage			<b>1000</b>	Veff mini
Insulation resistance			<b>1000</b>	MΩ mini

**MECHANICAL CHARACTERISTICS**

<b>Center contact retention</b>				
Axial force – Mating End		<b>10</b>	N mini	
Axial force – Opposite end		<b>10</b>	N mini	
Torque		<b>NA</b>	N.cm mini	
<b>Recommended torque</b>				
Mating		<b>NA</b>	N.cm	
Panel nut		<b>NA</b>	N.cm	
Mating life		<b>500</b>	Cycles mini	
Weight		<b>0.5440</b>	g	

**ENVIRONMENTAL**

Operating temperature	<b>-55/+155</b>	°C	
Hermetic seal	<b>NA</b>	Atm.cm3/s	
Panel leakage	<b>NA</b>		

**SPECIFICATION**

**OTHER CHARACTERISTICS**

Assembly instruction:

Others:

**\*to 2GHz (1.106 --- 2 to 6GHz)**

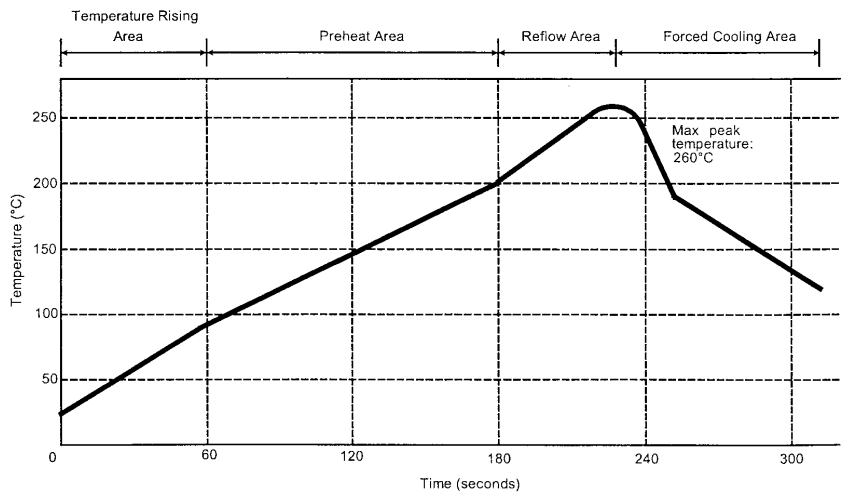
**\*\*Interface only, up to 2.5GHz**

PAGE 3/5	ISSUE <b>25-01-16D</b>	SERIES <b>MMBX</b>	PART NUMBER <b>R223434800</b>
----------	------------------------	--------------------	-------------------------------

## SOLDER PROCEDURE OF MMBX RECEPTACLE IN INDUSTRIAL ENVIRONMENT

1. Deposit solder paste 'SnAg4Cu0.5' on mounting zone by screen printing application.  
We recommend a low residue flux.  
We advise a thickness of 150 micromm ( 5.850 microinch ). Verify that the edges of the zone are clean.
  
2. Placement of the receptacle on the mounting zone with an automatic machine of 'pick and place' type.  
  
A video camera is recommended for positioning of the component.  
  
Adhesive agents must not be used on the receptacle.
  
3. This process of soldering has been tested with convection oven.  
Below please find, the typical profile to use.
  
4. The cleaning of printed circuit boards is not obliged.
  
5. Verification of solder joints and position of the component by visual inspection.

### TEMPERATURE PROFILE

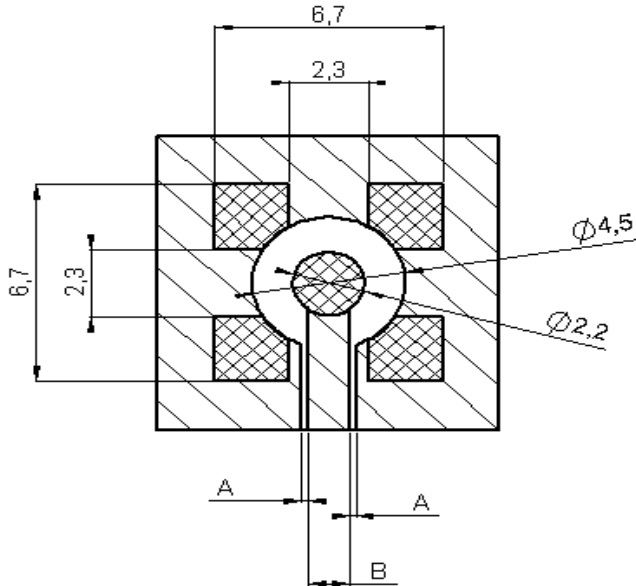


Parameter	Value	Unit
Temperature rising Area	1 - 4	°C/sec
Max Peak Temperature	260	°C
Max dwell time @260°C	10	sec
Min dwell time @235°C	20	sec
Max dwell time @235°C	60	sec
Temperature drop in cooling Area	-1 to - 4	°C/sec
Max dwell time above 100°C	420	sec

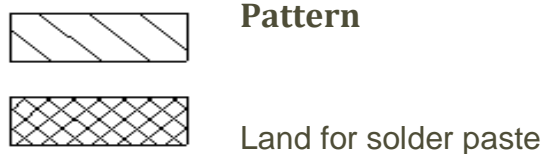
PAGE 4/5	ISSUE 25-01-16D	SERIES MMBX	PART NUMBER R223434800
----------	-----------------	-------------	------------------------

# MMBX SERIES INFORMATIONS

## PCB



**COPLANAR LINE**  
 Pattern and signal are on the same side  
 The material of PCB is epoxy resin (FR4)  
 . (Er = 4.6)  
 The solder resist should be printed

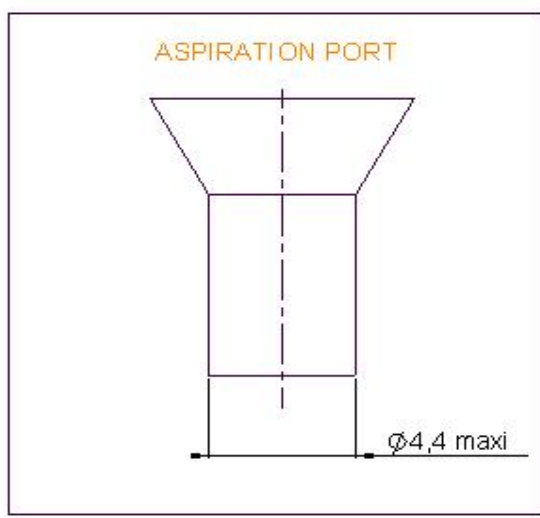


APPLICATION 75Ω  
 WITH B = 0,55mm

PCB thickness (mm)	Coplanar ligne A (mm)
0,8	0,350
1,0	0,360
1,2	0,365
1,6	0,375

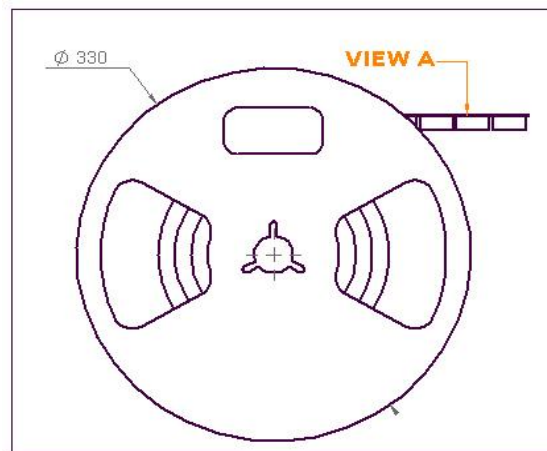
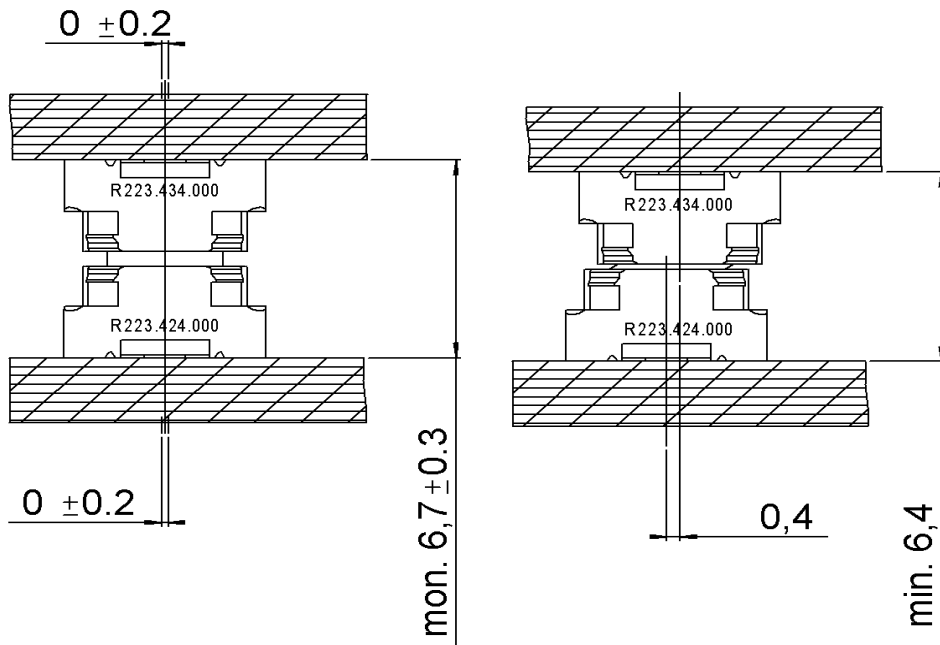
APPLICATION 50Ω  
 WITH B = 1,2mm

PCB thickness (mm)	Coplanar ligne A (mm)
0,8	0,190
1,0	0,200
1,2	0,205
1,6	0,210

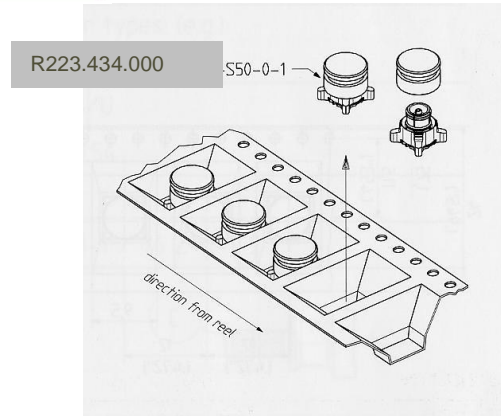
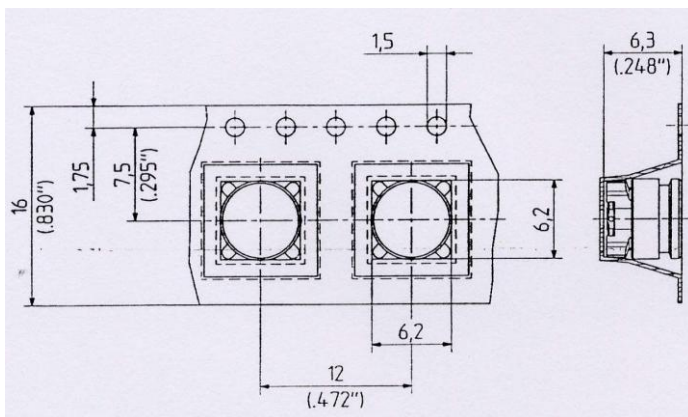


PAGE 5/5	ISSUE 25-01-16D	SERIES MMBX	PART NUMBER R223434800
----------	-----------------	-------------	------------------------

# MMBX SERIES INFORMATIONS



A VIEW



## X-ON Electronics

Largest Supplier of Electrical and Electronic Components

*Click to view similar products for [RF Connectors / Coaxial Connectors](#) category:*

*Click to view products by [Radiall](#) manufacturer:*

Other Similar products are found below :

[8915-1511-000](#) [89674-0827](#) [6001-7071-019](#) [6002-7051-003](#) [6002-7551-202](#) [6059674-1](#) [619550-1](#) [630059-000](#) [M39030/3-01N](#) [6500-7071-046](#) [6769](#) [CX050L2AQ](#) [7002-1541-010](#) [7002-1542-011](#) [7004-1512-000](#) [7009-1511-004](#) [7010-1511-000](#) [7029-1511-060](#) [7101-1541-010](#) [7101-1571-002](#) [7145-1521-002](#) [7203-1571-003](#) [7209-1511-011](#) [7210-1511-015](#) [7210-1511-019](#) [73137-5015](#) [73216-2241](#) [73404-2300](#) [7405-1521-005](#) [7405-1521-802](#) [8527](#) [8547](#) [FS11V](#) [877931](#) [8808-1511-001](#) [9049-9513-000](#) [9074-9513-000](#) [9101-9573-002](#) [910A205F](#) [9130-9573-002](#) [PL11SC-026](#) [PL375-33](#) [PL40-5](#) [PL74C-221](#) [PL75MC-217](#) [PL803-7](#) [1200690078](#) [1-201144-1](#) [R107003010W](#) [R110A172100](#)