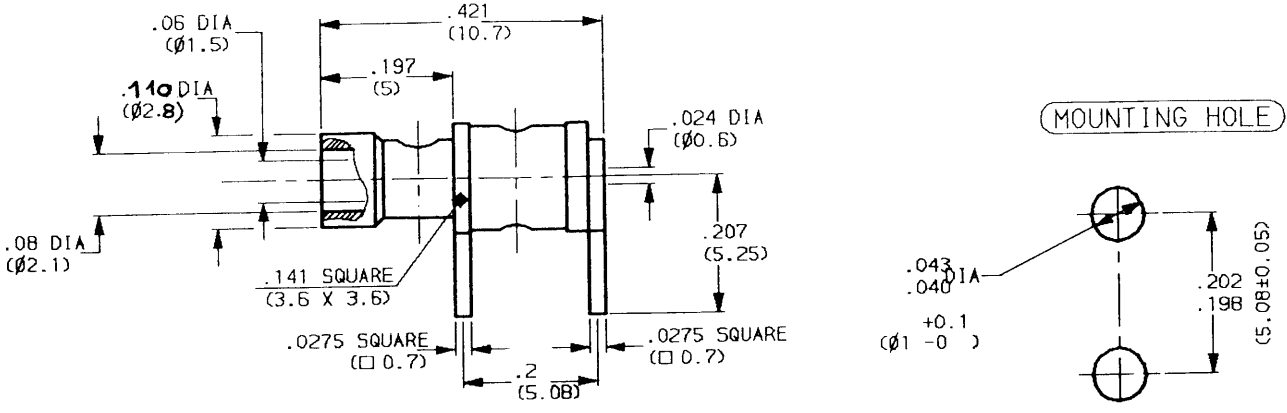


RIGHT ANGLE DIELECTRIC FEEDTHROUGH FOR P.C.B , CABLE 2/50

SERIES: MCX

01 / 02



WEIGHT 0 oz (..... g)

Cable : RG 178/U , RG 196/U

CHARACTERISTICS

| | | | |
|---------------------------------|--------------------------------|----------------------------|----------------------------|
| NOMINAL IMPEDANCE | 50 Ω | STANDARDISATION | - |
| FREQUENCY RANGE | 0-3 GHz | | - |
| TEMPERATURE RATING | -55/+155 °C | | - |
| VSWR | NA Max | | - |
| RF INSERTION LOSS | NA dB Max | CABLE RETENTION | 7.09 Lb Max 32 N Max |
| VOLTAGE RATING | 250 Vrms | CENTER CONTACT RETENTION | |
| DIELECTRIC WITHSTANDING VOLTAGE | 750 Vrms | Axial force - mating end | 0 Lb Max NA N Max |
| INSULATION RESISTANCE | 1000 MΩ | Axial force - opposite end | 0 Lb Max NA N Max |
| HERMETIC SEAL | NA cc/s cm ³ /s | Torque (Max) | 0.1329 Inch.oz 1.5 cm.N |
| LEAKAGE (pressurized only) | 0 psi NA kg/cm ² | MATING TORQUE RECOMMENDED | 0 Inch. Lb NA cm.N |
| - | - | - | - |
| - | - | - | - |

CONSTRUCTION

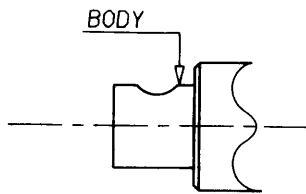
| CONNECTOR PARTS | MATERIALS | FINISH |
|-----------------|-----------|------------------|
| Body | Brass | Gold over nickel |
| Outer contact | - | - |
| Center contact | Brass | Gold over nickel |
| Insulators | PTFE | - |
| - | - | - |
| - | - | - |
| - | - | - |
| - | - | - |
| - | - | - |

| ISSUE | REVISION No | DESCRIPTION | BY | DATE |
|-------|-------------|---------------------|--------|----------|
| 9347 | 93.10.009 | .106 DIA → .110 DIA | BERTHE | 23.11.93 |

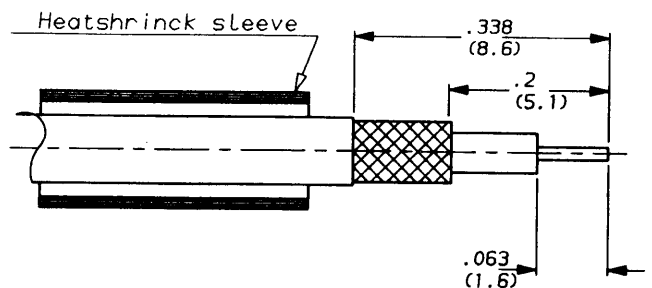
Initiated on 13-02-89
Superseded on _____
The information given here is subject to change without notice. Design changes may be in order to improve the product.



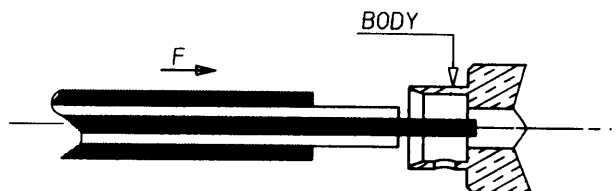
RIGHT ANGLE DIELECTRIC FEEDTHROUGH FOR
 P.C.B , CABLE 2/50



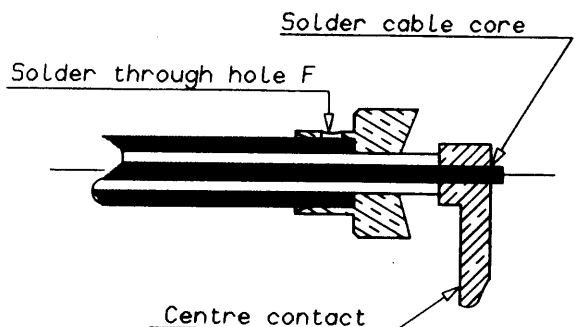
- 1-1 Slide the heatshrink sleeve on the cable .
- 1-2 Strip the cable .



- 2-1 Introduce cable into the connector body until contact with it (according to F direction)



- 3-1 Solder braid through hole F
- 3-2 Solder cable core into the centre contact .
- 3-3 Slide heatshrink sleeve bottoms body shoulder .
- 3-4 Heatshrink the heatshrinkable sleeve between 275°F(135°C) and 482°F(250°C)



| IND | No MODIF | OBJET | VISA | DATE |
|-----|----------|-------|------|------|
| | | | | |
| | | | | |
| | | | | |

Creation Date 19 04 89
 Mise a jour Date _____

Ces renseignements sont donnés a titre indicatif. Dans le but constant d'améliorer nos produits, nous nous réservons le droit d'apporter toutes modifications jugées utiles.



101, Rue Ph. Hoffmann - Z.I. Ouest
 93116 ROSNY/S/BOIS Cedex (France)
 Tel. : (1) 48 54 80 40
 Fax : (1) 48 54 63 63
 Telex: Radia A 220673 F

X-ON Electronics

Largest Supplier of Electrical and Electronic Components

Click to view similar products for [RF Connectors / Coaxial Connectors](#) category:

Click to view products by [Radiall](#) manufacturer:

Other Similar products are found below :

[8915-1511-000](#) [89674-0827](#) [6001-7071-019](#) [6002-7051-003](#) [6002-7551-202](#) [6059674-1](#) [619550-1](#) [630059-000](#) [M39030/3-01N](#) [6500-7071-046](#) [6769](#) [CX050L2AQ](#) [7002-1541-010](#) [7002-1542-011](#) [7004-1512-000](#) [7009-1511-004](#) [7010-1511-000](#) [7029-1511-060](#) [7101-1541-010](#) [7101-1571-002](#) [7145-1521-002](#) [7203-1571-003](#) [7209-1511-011](#) [7210-1511-015](#) [7210-1511-019](#) [73137-5015](#) [73216-2241](#) [73404-2300](#) [7405-1521-005](#) [7405-1521-802](#) [8527](#) [8547](#) [FS11V](#) [877931](#) [8808-1511-001](#) [9049-9513-000](#) [9074-9513-000](#) [9101-9573-002](#) [910A205F](#) [9130-9573-002](#) [PL11SC-026](#) [PL375-33](#) [PL40-5](#) [PL74C-221](#) [PL75MC-217](#) [PL803-7](#) [1200690078](#) [1-201144-1](#) [R107003010W](#) [R110A172100](#)