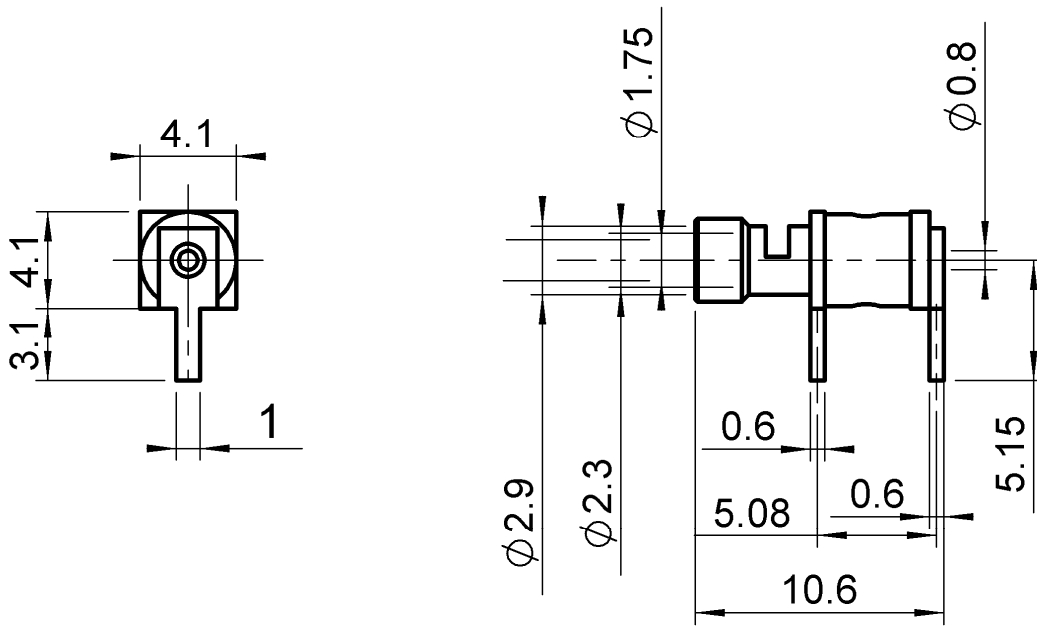


NON MAGNETIC RIGHT ANGLE FEEDTHROUGH

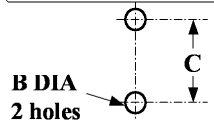
R280.220.027

SOLDER FOR PCB CABLE 2.6/50+75S

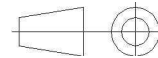
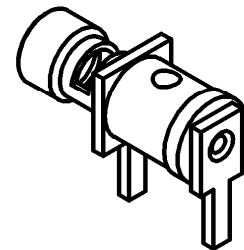
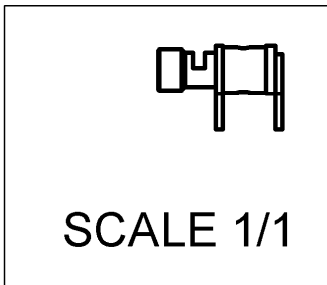
Series : ACC-COAX



PANEL CUT OUT



mm		
	Maxi	mini
B	1.5	1.4
C	5.13	5.03



All dimensions are in mm.

COMPONENTS	MATERIALS	PLATING (µm)
BODY	NON MAGNETIC BRONZE	GBR 2
CENTER CONTACT	NON MAGNETIC BRONZE	GBR 2
OUTER CONTACT	-	-
INSULATOR	PTFE	-
GASKET	-	-
OTHERS PARTS	-	-
-	-	-
-	-	-

Issue : 1012 A

In the effort to improve our products, we reserve the right to make changes judged to be necessary



NON MAGNETIC RIGHT ANGLE FEEDTHROUGH

R280.220.027

SOLDER FOR PCB CABLE 2.6/50+75S

Series : ACC-COAX

PACKAGING

Standard	Unit	Other
1		Contact us

SPECIFICATION

CABLE ASSEMBLY

Stripping	a	b	c	d	e	f
mm	3	3	9.5	0	3.5	0

ELECTRICAL CHARACTERISTICS

Impedance		50	Ω
Frequency		DC-3	GHz
VSWR	NA +	0.000	x F(GHz) Maxi
Insertion loss		NA	\sqrt{F} (GHz) dB Maxi
RF leakage	- (NA	-F(GHz)) dB Maxi
Voltage rating		335	Veff Maxi
Dielectric withstanding voltage		1000	Veff mini
Insulation resistance		1000	M Ω mini

Assembly instruction :

Recommended cable(s)
 NON MAGNETIC CABLE
 RG 179 AMAG
 RG 316 AMAG

Cable retention

- pull off	120	N mini
- torque	NA	N.cm

MECHANICAL CHARACTERISTICS

Recommended torque			
Panel nut		NA	N.cm
Clamp nut		NA	N.cm
A/F clamp nut		0.000	mm
Mating life		0	Cycles mini
Weight		0,4900	g

TOOLING

Part Number	Description	Hexagon
.	.	.

OTHER CHARACTERISTICS

Distorsion of the magnetic field
 <0.5 ppm at 10mm at Bo=1.5 Tesla
 Non magnetic component

ENVIRONMENTAL

Operating temperature	-55/+155	$^{\circ}$ C
Panel leakage	NA	

Issue : 1012 A

In the effort to improve our products, we reserve the right to make changes judged to be necessary



NON MAGNETIC RIGHT ANGLE FEEDTHROUGH

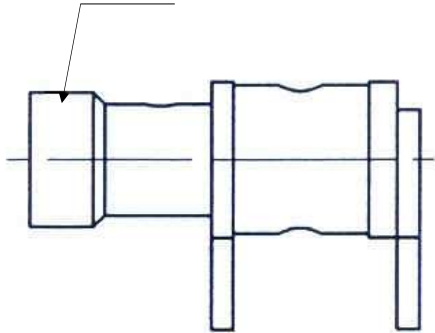
R280.220.027

SOLDER FOR PCB CABLE 2.6/50+75S

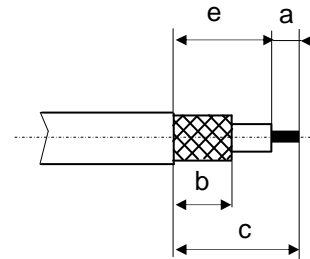
Series : ACC-COAX

COMPONENTS

BODY



STRIPPING DIMENSIONS

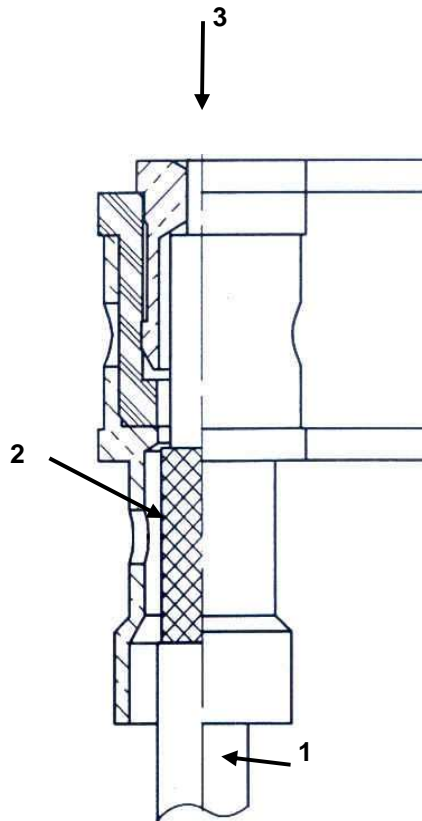


1

Strip the cable

2

Introduce cable into the connector body until contact with it.
Solder braid
Solder cable core



Issue : 1012 A

In the effort to improve our products, we reserve the right to make changes judged to be necessary

X-ON Electronics

Largest Supplier of Electrical and Electronic Components

Click to view similar products for [RF Connectors / Coaxial Connectors](#) category:

Click to view products by [Radiall](#) manufacturer:

Other Similar products are found below :

[8915-1511-000](#) [89674-0827](#) [6001-7071-019](#) [6002-7051-003](#) [6002-7551-202](#) [6059674-1](#) [619550-1](#) [630059-000](#) [M39030/3-01N](#) [6500-7071-046](#) [6769](#) [CX050L2AQ](#) [7002-1541-010](#) [7002-1542-011](#) [7004-1512-000](#) [7009-1511-004](#) [7010-1511-000](#) [7029-1511-060](#) [7101-1541-010](#) [7101-1571-002](#) [7145-1521-002](#) [7203-1571-003](#) [7209-1511-011](#) [7210-1511-015](#) [7210-1511-019](#) [73137-5015](#) [73216-2241](#) [73404-2300](#) [7405-1521-005](#) [7405-1521-802](#) [8527](#) [8547](#) [FS11V](#) [877931](#) [8808-1511-001](#) [9049-9513-000](#) [9074-9513-000](#) [9101-9573-002](#) [910A205F](#) [9130-9573-002](#) [PL11SC-026](#) [PL375-33](#) [PL40-5](#) [PL74C-221](#) [PL75MC-217](#) [PL803-7](#) [1200690078](#) [1-201144-1](#) [R107003010W](#) [R110A172100](#)