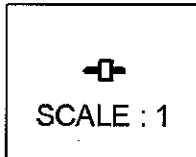
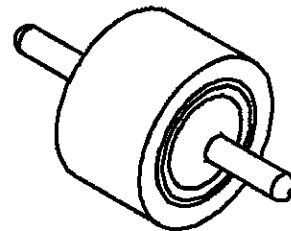
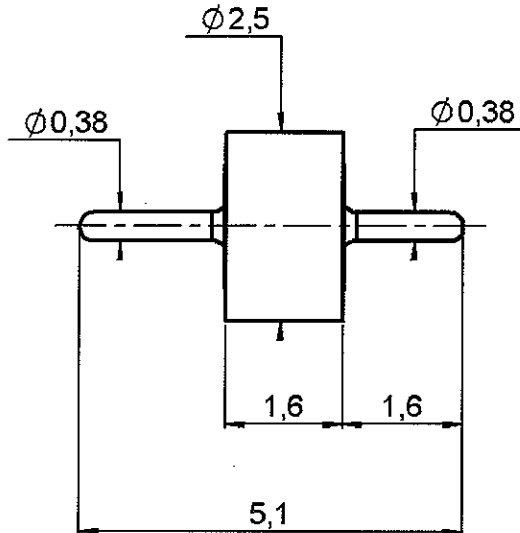


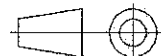
GLASS BEAD

R280.752.000

Series : ACC-COAX



All dimensions are in mm.



COMPONENTS	MATERIALS	PLATINGS (μm)
BODY	FERRO-NICKEL	GOLD 1.27 OVER NICKEL 1.27
CENTER CONTACT	FERRO-NICKEL	GOLD 1.27 OVER NICKEL 1.27
OUTER CONTACT	-	-
INSULATOR	GLASS	-
GASKET	-	-
OTHERS PARTS	-	-

Operating temperature : $-65/+200$ °C

Weight : 0,0440 g

Others characteristics : -

Issue : 0436 A

In the effort to improve our products, we reserve the right to make changes judged to be necessary.



RADIALL®

GLASS BEAD

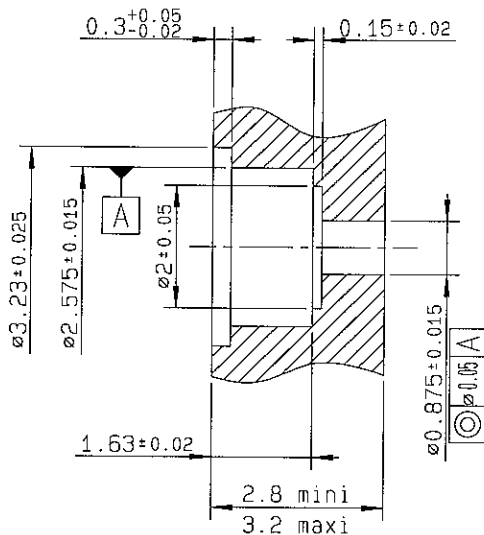
R280.752.000

Series : ACC-COAX

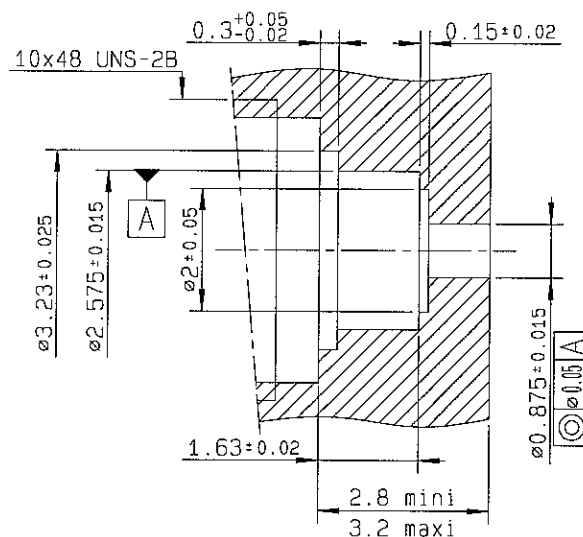
ADDITIONAL INFORMATIONS
MOUNTING INSTRUCTIONS

1 - MOUNTING HOLE

FLANGE SHROUD



THREAD-IN SHROUD

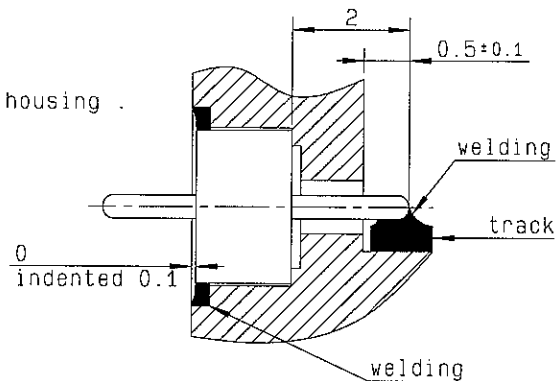


2 - ASSEMBLY INSTRUCTIONS

2-1 - Introduce the glass bead into its housing .

2-2 - Weld the ring by putting a welding wire in the groove .

2-3 - Weld the pin on the track .
Beware of putting too much welding !



IMPORTANT: for maximum RF characteristics the link track/pin must be as thin as possible. We advise you to respect rigourously the 0.5+0.1 dimension, by welding accurately the bead pin directly on the track .

X-ON Electronics

Largest Supplier of Electrical and Electronic Components

Click to view similar products for [RF Connector Accessories](#) category:

Click to view products by [Radiall](#) manufacturer:

Other Similar products are found below :

[89674-0712](#) [F702RX24](#) [FERRULE-174](#) [R141802000](#) [R141805000](#) [R141842000](#) [R161862000](#) [R161862000W](#) [R280752000](#) [R280907000](#)
[R694261906](#) [RFI21-13](#) [RFI75-13-D2](#) [RFI75-4-D2](#) [AX102906](#) [AX102907](#) [18097-0013](#) [HP-375](#) [HP-500](#) [2098-0294-00](#) [2098-3251-94](#) [KA-](#)
[81-05](#) [89674-0805](#) [F1](#) [FERRULE-223](#) [202102-11](#) [213337-1](#) [220222-2](#) [24092671A](#) [24092678A](#) [R280468000](#) [R280510000](#) [R282862060](#)
[RFI155-1](#) [RFI25-12-D3](#) [RFI25-5](#) [RFI25-5-D3](#) [RFI75-12-D2](#) [RFI75-2-D2](#) [RFI75-4-D3](#) [RFI77-6](#) [360HS001M2508M6](#) [4-1532137-4](#) [5-21085-](#)
[0](#) [105274-1000](#) [111062-0490](#) [112122-SOD-LUG](#) [112-NUT-KNURL](#) [IPP-2014](#) [R280490020](#)