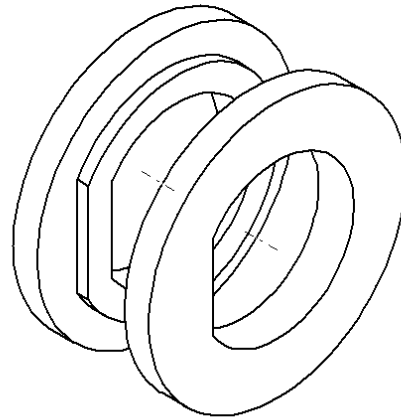
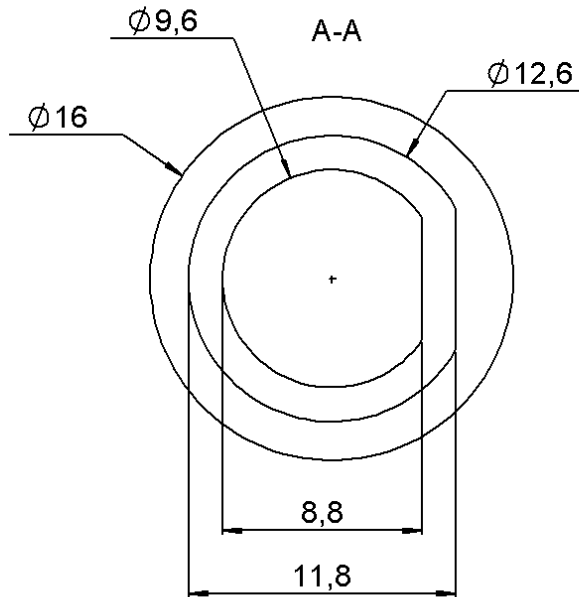
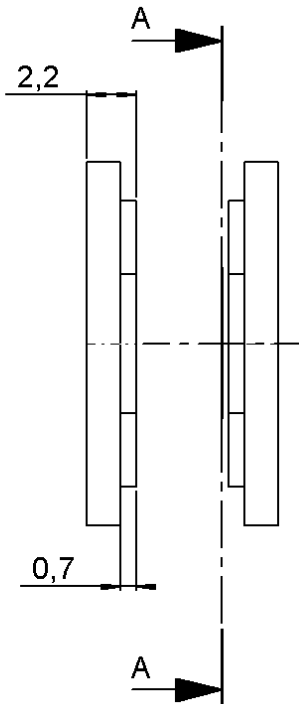


**TWO INSULATED WASHERS**

**PACKAGING PER 100**

**R280.902.000**

Series : ACC-COAX



All dimensions are in mm.



COMPONENTS	MATERIALS	PLATING ( $\mu\text{m}$ )
BODY	white Nylon 20% glass fiber	-
CENTER CONTACT	-	-
OUTER CONTACT	-	-
INSULATOR	-	-
GASKET	-	-
OTHERS PARTS	-	-
-	-	-
-	-	-

Issue : 0726 A

In the effort to improve our products, we reserve the right to make changes judged to be necessary



**TWO INSULATED WASHERS**

**PACKAGING PER 100**

**R280.902.000**

Series : ACC-COAX

**PACKAGING**

Standard	Unit	Other
	'W' option	Contact us

**SPECIFICATION**

**CABLE ASSEMBLY**

Stripping	a	b	c	d	e	f
mm						

**ELECTRICAL CHARACTERISTICS**

Impedance		$\Omega$
Frequency		GHz
VSWR	+	x F(GHz) Maxi
Insertion loss		$\sqrt{F}$ (GHz) dB Maxi
RF leakage	- (	-F(GHz)) dB Maxi
Voltage rating		Veff Maxi
Dielectric withstanding voltage		Veff mini
Insulation resistance		M $\Omega$ mini

Assembly instruction :

Recommended cable(s)

**MECHANICAL CHARACTERISTICS**

Recommended torque		
Panel nut		N.cm
Clamp nut		N.cm
A/F clamp nut		mm
Mating life		Cycles mini
Weight	<b>0,5300</b>	g

Cable retention

- pull off

N mini

- torque

N.cm

**TOOLING**

Part Number	Description	Hexagon
.	.	.

**OTHER CHARACTERISTICS**

-

**ENVIRONMENTAL**

Operating temperature	-	$^{\circ}$ C
Panel leakage		

Issue : 0726 A

In the effort to improve our products, we reserve the right to make changes judged to be necessary



## X-ON Electronics

Largest Supplier of Electrical and Electronic Components

*Click to view similar products for [Screws & Fasteners](#) category:*

*Click to view products by [Radiall](#) manufacturer:*

Other Similar products are found below :

[5721-1440-1/4-SS](#) [593503FX](#) [0098.0094](#) [0098.9206](#) [0098.9219](#) [0098.9262](#) [596-2114-013](#) [59781-6](#) [0098.0026](#) [0098.9210](#) [0098.9212](#) [60227-01](#) [60227-04](#) [60227-08](#) [60687-01](#) [LOCK WASHER Black](#) [618-00001](#) [62153-03](#) [62153-11](#) [M316-KSSTMCZ100](#) [M3440-SS](#) [M3442-SS](#) [M3448-SS](#) [6292-1](#) [6-306105-9](#) [6-306131-4](#) [690432-1](#) [699161-000](#) [7230-3](#) [7244](#) [7248-1](#) [7248-2](#) [73542-02](#) [CAPTIVE SHORT THUMBSCREW](#) [745564-1](#) [F1209](#) [751-00001](#) [7680](#) [809704-1](#) [8700](#) [8860220](#) [9047](#) [9521](#) [992326-6](#) [992763-3](#) [1-18024-0](#) [1-18028-2](#) [A168P1](#) [A495P1](#) [1-24921-1](#) [125416-1](#) [1260](#)