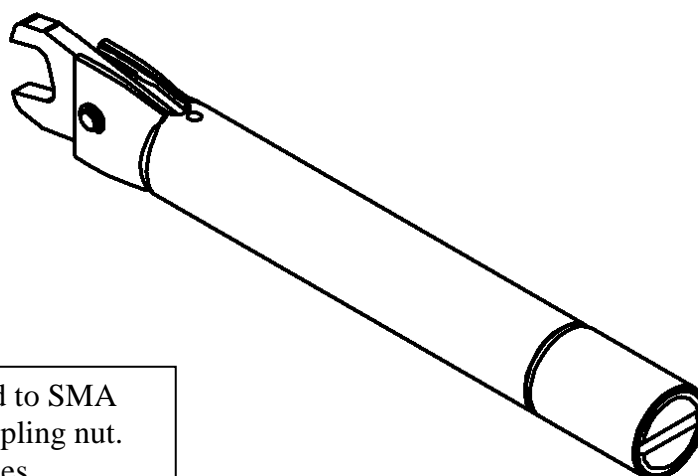
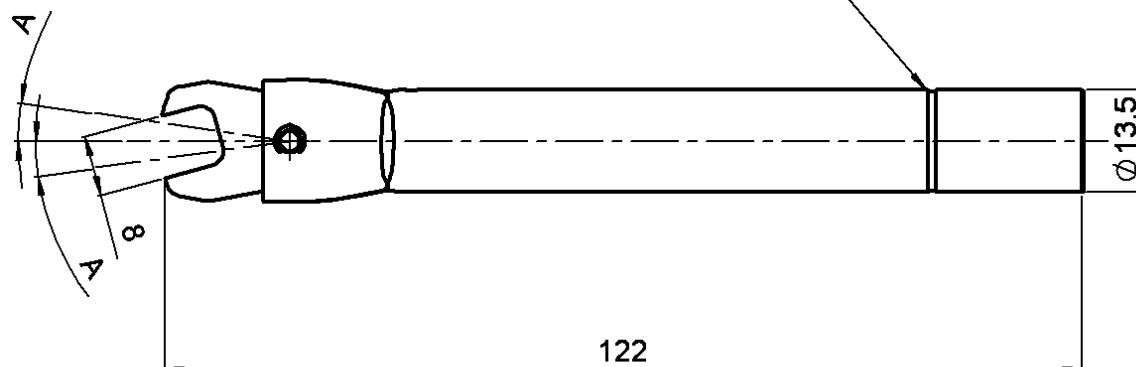


TORQUE WRENCH**R282.320.030****8 MM - 60 N.cm**Series : **OUT**

SCALE : 1

Gorge pour controle du tarage
(Checking groove)

This wrench is designed to SMA
(Brass) connector's coupling nut.
Durability : 10 000cycles

OPERATION

The torque wrench is designed to automatically make a « click sound ».

The wrench will work the same in both directions.

Be careful : **DO NOT APPLY PRESSURE** to the wrench **AFTER** hearing the click sound, it will possibly damage the connector.

ENSURE PROPER TORQUE

Apply verification force at the groove level on the handle.

- Coupling torque 55N.cm at 65N.cm
- A A' angular sweep approximately 8°

Issue : 0825 B

In the effort to improve our products, we reserve the right to make changes judged to be necessary.



X-ON Electronics

Largest Supplier of Electrical and Electronic Components

Click to view similar products for [Spanners](#) category:

Click to view products by [Radiall](#) manufacturer:

Other Similar products are found below :

[74005](#) [74008](#) [1406504-3](#) [1406504-4](#) [1406504-5](#) [1406504-7](#) [1725859-2](#) [9965](#) [999-16625-001](#) [G70515-18](#) [1055265-1](#) [1055267-1](#) [1-1406504-0](#) [1055787-1](#) [DCH.91.251.PA](#) [TG70-18](#) [TG70](#) [G62748-11](#) [DPH.99.005.2K](#) [DCP.91.045.TN](#) [1055512-1](#) [1055276-1](#) [R282303020](#) [TA-0456](#) [DCA.91.149.0TN](#) [TA-0436](#) [TA-0398](#) [TOL-222901](#) [74_Z-0-0-193](#) [294GB-5069-17-N](#) [74_Z-0-0-2](#) [523200-4](#) [294GB-5070-25-A](#) [74_Z-0-0-79](#) [294GB-5070-17-A](#) [74_Z-0-0-321](#) [TOL-171801](#) [PR23350](#) [1490262-2](#) [9968](#) [AC24VS](#) [80117](#) [DCN.91.149.0TK](#) [BT-A-6010CAGE](#) [R282340000](#) [BT-BS-609WT](#) [BT-A-6000B](#) [R282303000](#) [BT-BS-610R](#) [BT-BS-610RT](#)