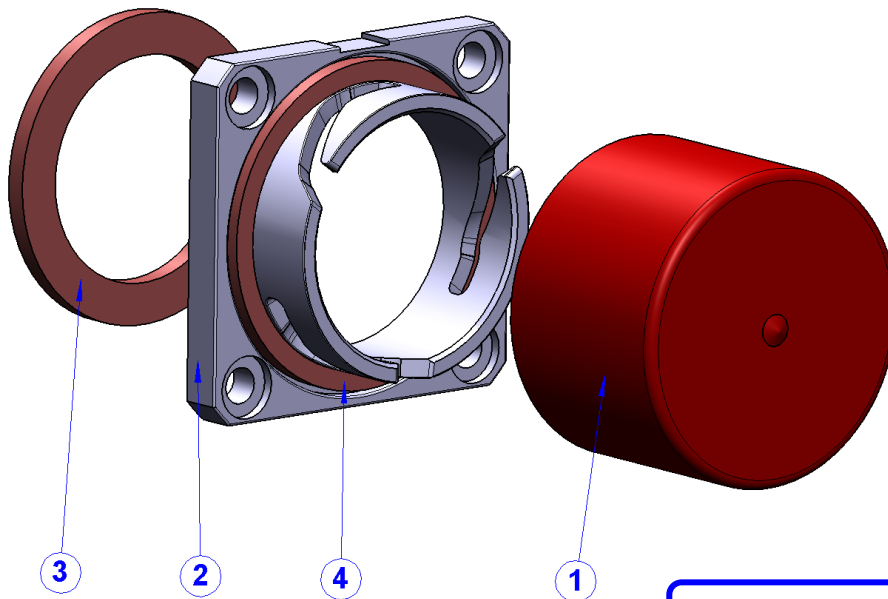


Dimensions in mm


PATENT PENDING

DESCRIPTION

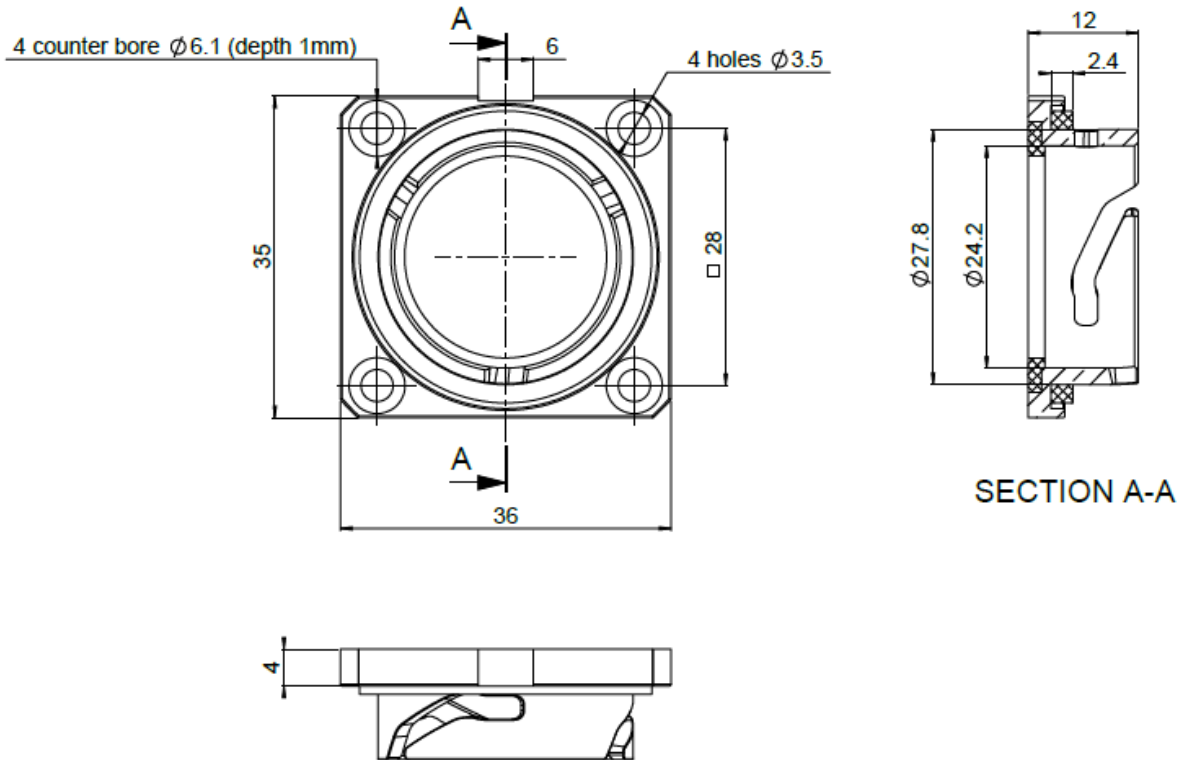
REP	COMPONENT	MATERIALS	PLATING
1	PROTECTION CAP	PLASTIC (colour red)	
2	RECEPTACLE BODY	BRASS	TIN NICKEL OVER COPPER
3	GASKET PANEL SEALING	SILICONE + anti-fungus treatment	
4	GASKET CONNECTION SEALING	SILICONE + anti-fungus treatment	

GENERAL CHARACTERISTICS

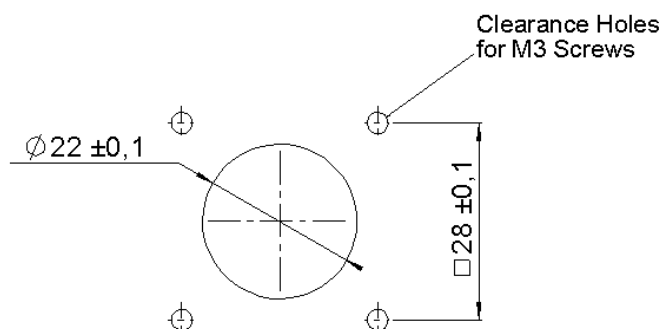
Mechanical : Endurance	100 mating cycles
Vibrations	in accordance with IEC 61300-2-1 IEC 60721-3-4 class 4M5 ETSI EN 300 019-2-4
Environmental: Protection Operating temperature	IP65 (plugged with mated part) -40°C to + 85°C
Weight :	33g

CREATION N°:Project : EPC0812 Name: RV Date: 26/07/2010 Appr.: BD	24-12-18C	Revise the packing number C84 to C56	A YANG	S JIANG	RADIALL® 101, rue P. Hoffmann 93116 ROSNY/BOIS FRANCE Tel : (33) 0149353535 Fax : (33) 0148546363
	18-10-18C	Change thickness from 2 to 2.4 of gasket	K MAO	S JIANG	
	1336C	Add anti-fungus treatment on the gaskets	TJL	GM	
	1113 B	Update	MR	BD	
	1042 B	New protection cap	RV	BD	
	Issue	Revisions	Name	Appr.	

Dimensions in mm



PANEL CUT OUT :



PACKAGING :

56 pieces in one cardboard box (volume = 5 L)

<p>CREATION N°:Project : EPC0812 Name: RV Date: 26/07/2010 Appr.: BD</p>	24-12-18C	Revise the packing number C84 to C56	A YANG	S JIANG	<p>RADIALL® 101, rue P. Hoffmann 93116 ROSNY/BOIS FRANCE Tel : (33) 0149353535 Fax : (33) 0148546363</p>
	18-10-18C	Change thickness from 2 to 2.4 of gasket	K MAO	S JIANG	
	1336C	Add anti-fungus treatment on the gaskets	TJL	GM	
	1113 B	Update	MR	BD	
	1042 B	New protection cap	RV	BD	
	Issue	Revisions	Name	Appr.	

X-ON Electronics

Largest Supplier of Electrical and Electronic Components

Click to view similar products for [Fibre Optic Connectors](#) category:

Click to view products by [Radiall](#) manufacturer:

Other Similar products are found below :

[0004700001](#) [6100-R](#) [6313](#) [F709034706](#) [F709722200](#) [F709730000](#) [F718183204](#) [F727403500](#) [F727752800](#) [8119](#) [9440F20-27S-190](#) [944-120-6001](#) [9441F10SL-3S](#) [9444W28-21S](#) [9444W36-10S](#) [9446F10SL-4S](#) [9446W20-16S](#) [953-101-5310-P](#) [954-101-57202B](#) [A0270169](#) [12-9122](#) [12-5702](#) [AX101713](#) [AX102420](#) [AX103923](#) [AX104024](#) [AX104193](#) [AX104230](#) [AX104498](#) [AX104562](#) [AX105203-B25](#) [AX105205-S1](#) [EHSC2M](#) [181-011-126](#) [181-011-S](#) [181-057-126](#) [HRFC-R2\(40\)](#) [NKSOPBUY](#) [20500002116](#) [2064996-1](#) [20800001065](#) [2170](#) [9132](#) [2612](#) [2620](#) [9291](#) [9440F16-10S](#) [9440F20-18S](#) [9442W14S-10P](#) [9446F16-10S-190](#)