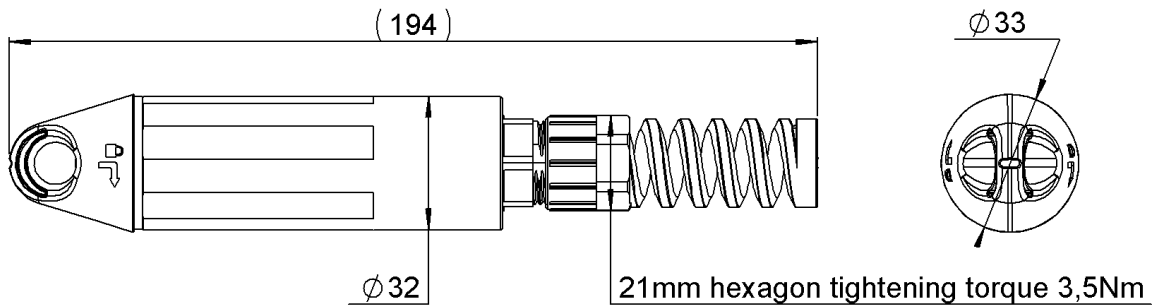
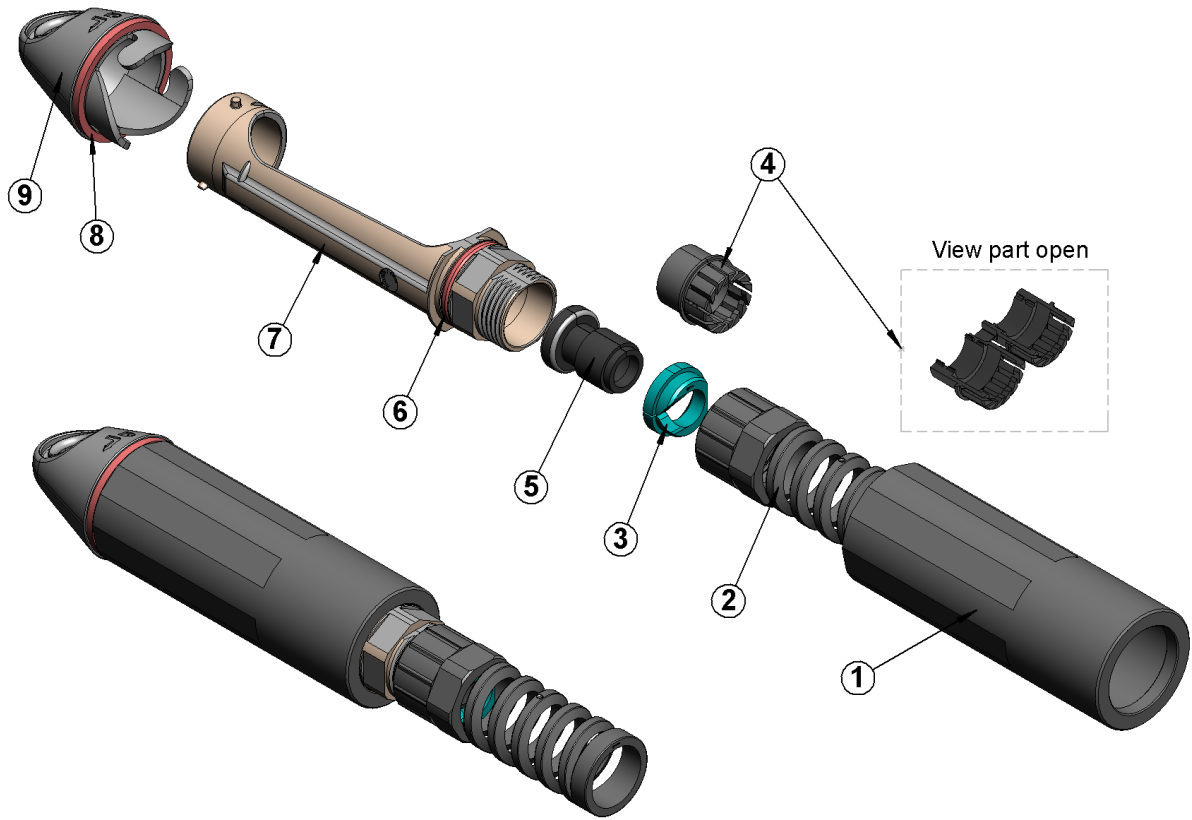


PAGE 1/6	ISSUE 04-01-19C	SERIES R2CT	PART NUMBER R2CT115000
----------	-----------------	-------------	------------------------



All dimensions are in mm. Tolerances according ISO 2768 m-H

DESCRIPTION

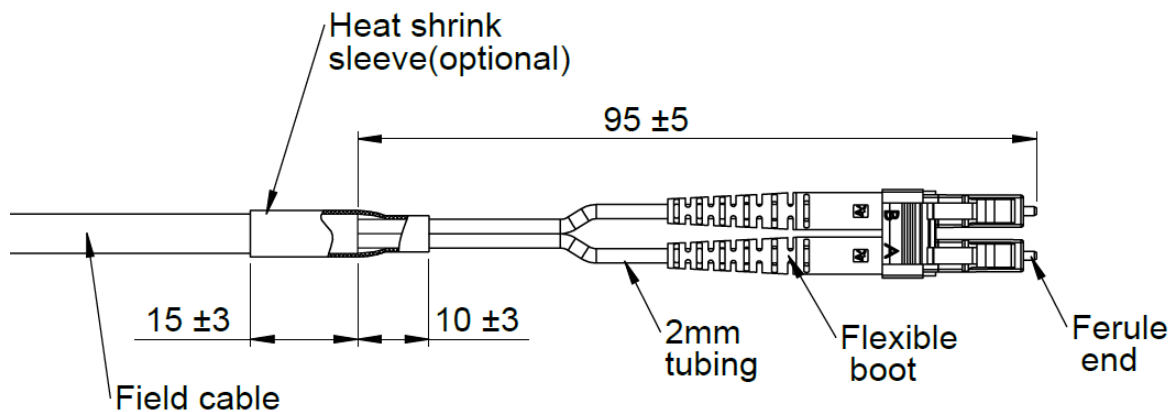
REP	COMPONENT	MATERIALS	PLATING
1	COUPLING NUT	ALUMINIUM	NONE
2	NUT TAIL OF PIG	PA6.6 GF	NA
3	TIGHTENING CONE	PA6.6	NA
4	CLAMP NUT ELASTIC SHELL	PA6.6	NA
5	CLAMP SPLIT GASKET	NITRILE (NBR)	NA
6	O-RING BODY GASKET	SILICONE	NA
7	PLUG BODY	ZAMAK	NICKEL
8	GASKET SEALING CAP	SILICONE	NA
9	PLUG PROTECTION CAP	PBT GF	NA

PAGE 2/6	ISSUE 04-01-19C	SERIES R2CT	PART NUMBER R2CT115000
----------	-----------------	-------------	------------------------

GENERAL CHARACTERISTICS

Mechanical Mating endurance Tensile load Vibration	IEC 61300-2-2 IEC 61300-2-4 -	100 cycles 200N compliant
Environmental Protection class Operating temperature RoHS	IEC 60529 IEC 61300-2-22 -	IP65 -40°C to +85°C Compliant
Compatibility	All types of optical cable assemblies with field cable : LC duplex, multimode or singlemode Diameter of field cable: 4,8 to 7 mm. For other cable diameter, contact us.	
Packaging	Unitary plastic bag 180mm*130mm	

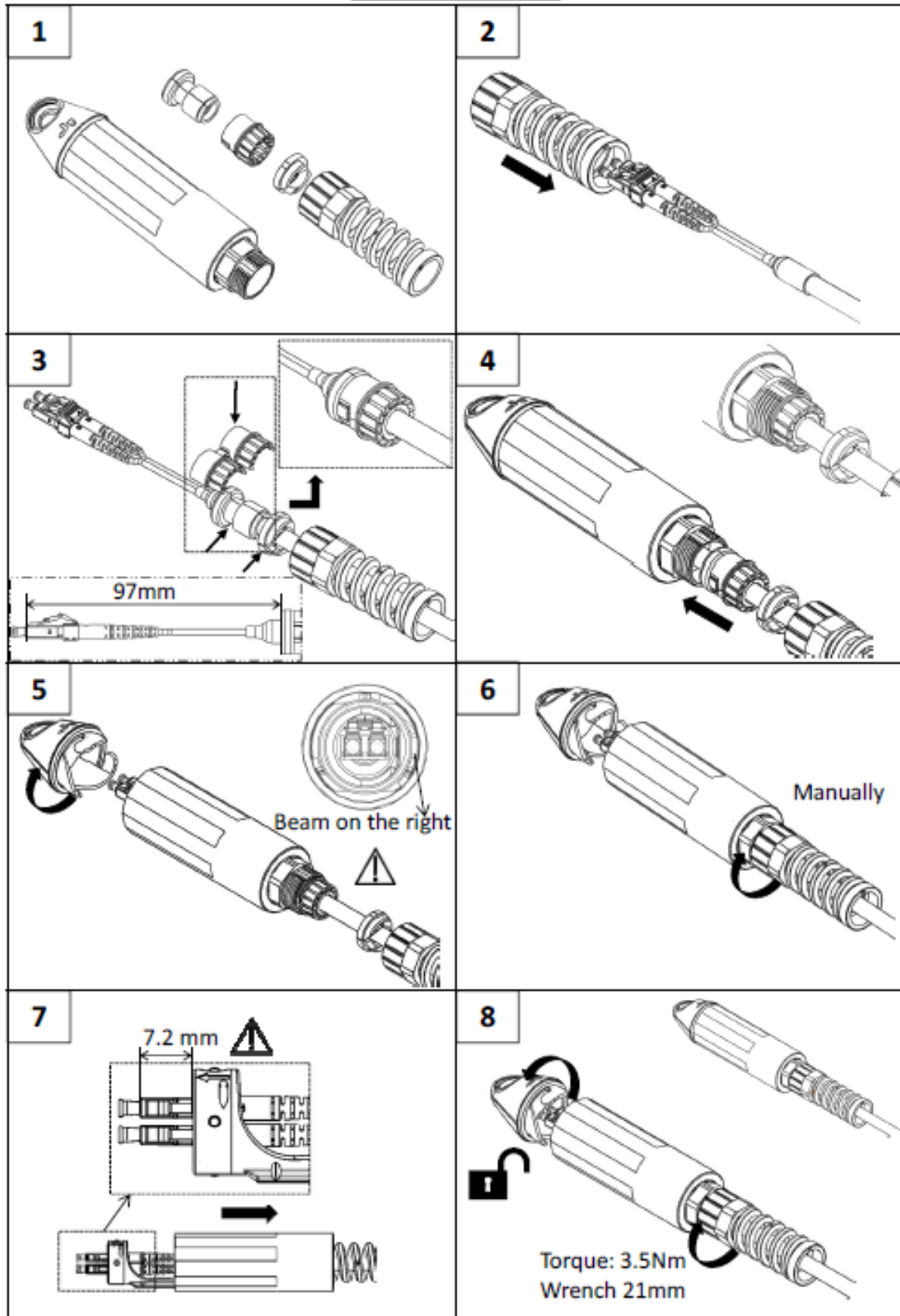
FAN OUT DIMENSIONS



VALIDATION PLAN

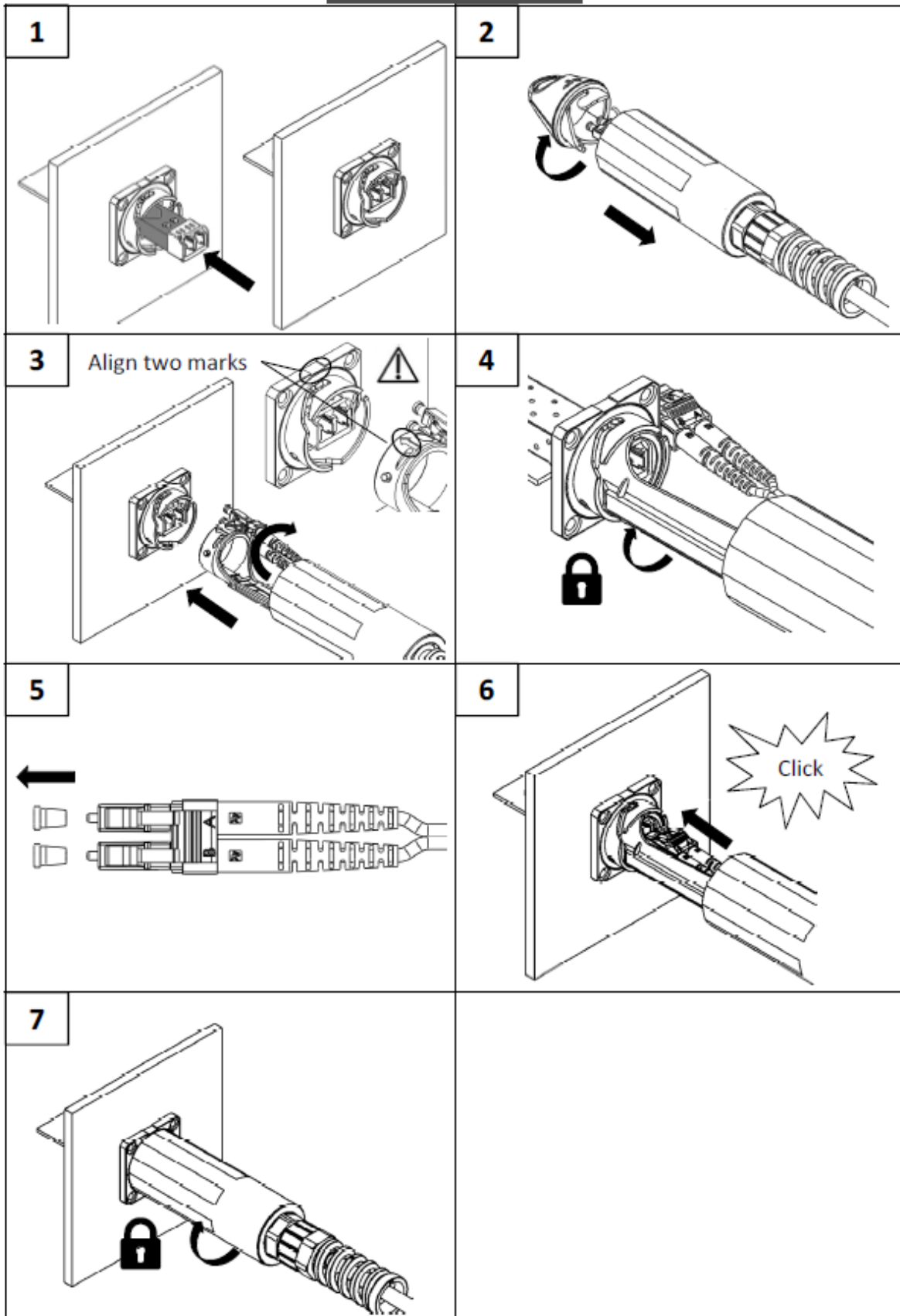
<i>Parameter</i>	<i>Specification</i>
OPTICAL	
Insertion Loss	IEC 61300-3-4
Return Loss	IEC 61300-3-6
MECHANICAL	
Mating Endurance	IEC 61300-2-2
Vibrations	IEC 61300-2-1
Shocks	IEC 61300-2-9
ENVIRONMENTAL	
Ingress Protection	IEC 60529
Temperature cycling	IEC 61300-2-22
Salt Mist	IEC 61300-2-26

ASSEMBLY INSTRUCTION



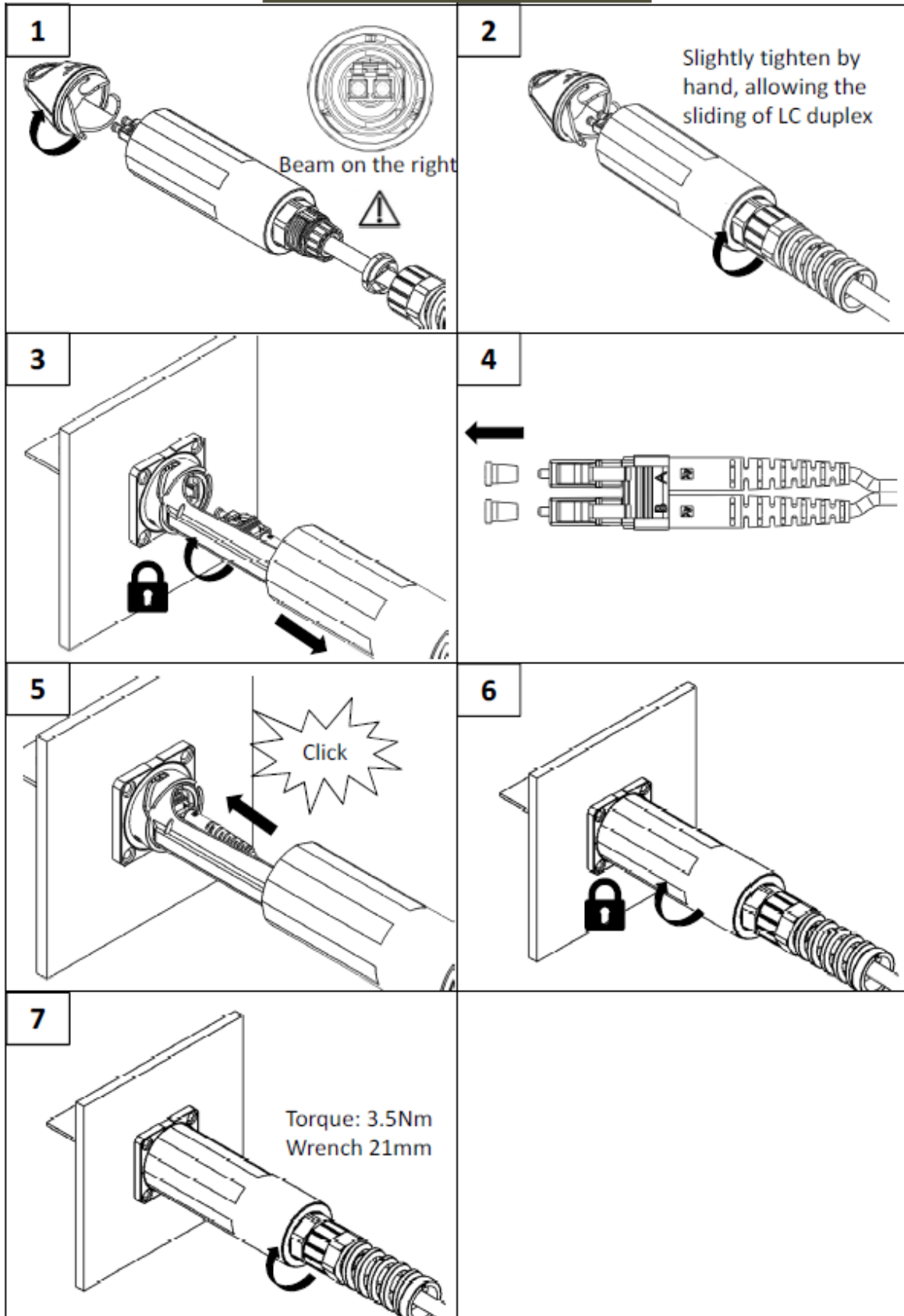
PAGE 4/6	ISSUE 04-01-19C	SERIES R2CT	PART NUMBER R2CT115000
----------	-----------------	-------------	------------------------

MATING SEQUENCE – OPTION 1



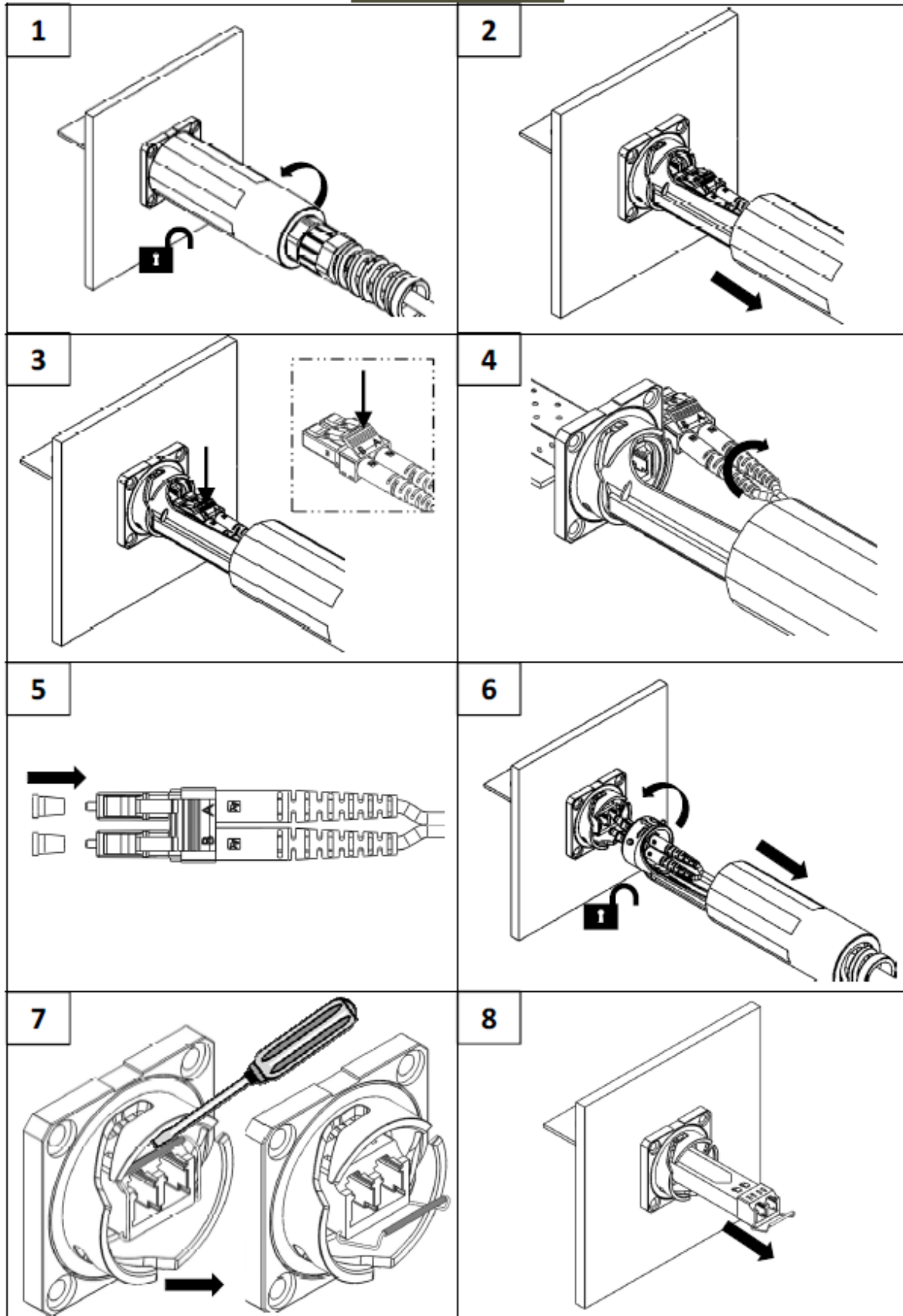
PAGE 5/6	ISSUE 04-01-19C	SERIES R2CT	PART NUMBER R2CT115000
----------	-----------------	-------------	------------------------

ASSEMBLY AND MATING SEQUENCE - OPTION 2



PAGE 6/6	ISSUE 04-01-19C	SERIES R2CT	PART NUMBER R2CT115000
----------	-----------------	-------------	------------------------

DISASSEMBLY SEQUENCE



X-ON Electronics

Largest Supplier of Electrical and Electronic Components

Click to view similar products for [Fibre Optic Connectors](#) category:

Click to view products by [Radiall](#) manufacturer:

Other Similar products are found below :

[0004700001](#) [6100-R](#) [6313](#) [F709034706](#) [F709722200](#) [F709730000](#) [F718183204](#) [F727403500](#) [F727752800](#) [8119](#) [9440F20-27S-190](#) [944-120-6001](#) [9441F10SL-3S](#) [9444W28-21S](#) [9444W36-10S](#) [9446F10SL-4S](#) [9446W20-16S](#) [953-101-5310-P](#) [954-101-57202B](#) [A0270169](#) [12-9122](#) [12-5702](#) [AX101713](#) [AX102420](#) [AX103923](#) [AX104024](#) [AX104193](#) [AX104230](#) [AX104498](#) [AX104562](#) [AX105203-B25](#) [AX105205-S1](#) [EHSC2M](#) [181-011-126](#) [181-011-S](#) [181-057-126](#) [HRFC-R2\(40\)](#) [NKSOPBUY](#) [20500002116](#) [2064996-1](#) [20800001065](#) [2170](#) [9132](#) [2612](#) [2620](#) [9291](#) [9440F16-10S](#) [9440F20-18S](#) [9446F16-10S-190](#) [953-106-50231](#)