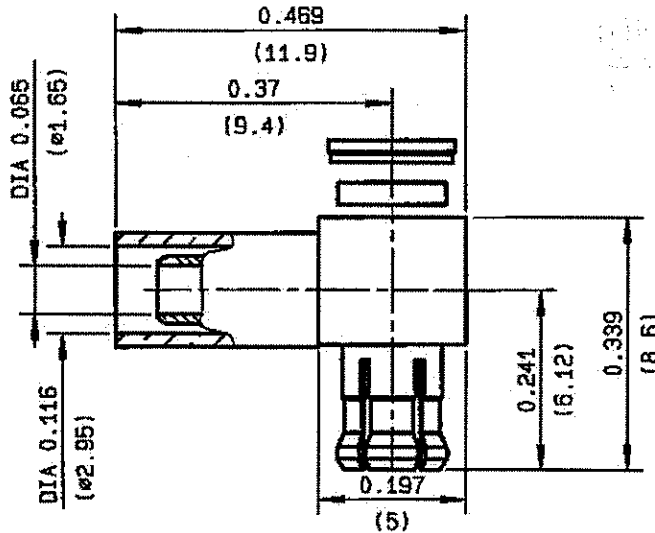


RIGHT ANGLE R-MCX PLUG CRIMP TYPE CABLE 2.6/50 S - PACK. 100	R300.113.100 SERIES DIVERS
--	---



NOMINAL IMPEDANCE	50 Ω	CABLES : KX 22A
FREQUENCY RANGE	0-6 GHz	RB 174
TEMPERATURE RATING	-55/+155 °C	RB 188
V.S.W.R	1.10 + .075 x F(GHz)Maxi	RB 316
RF INSERTION LOSS	0.1 \sqrt{F} (GHz) dB Maxi	
VOLTAGE RATING	170 Veff Maxi	
DIELECTRIC WITHSTANDING VOLTAGE	500 Veff Mini	
INSULATION RESISTANCE	1000 M Ω Mini	OTHERS CHARACTERISTICS
HERMETIC SEAL	NA Atm.cm ³ /s	CABLE RETENTION
LEAKAGE (pressurized only)	NA	53 N Mini
MECHANICAL DURABILITY	500 Cycles	CENTER CONTACT RETENTION
WEIGHT	1.1 gr	Axial force - mating end
SPECIFICATION		10 N Mini
		Axial force - opposite end
		10 N Mini
		Torque
		NA cm.N Mini
		RECOMMENDED TORQUES
		Mating
		NA cm.N
		Panel nut
		NA cm.N
		Clamp nut
		NA cm.N

CONNECTOR PARTS	MATERIALS	FINISH	(all values are given in micrometers)
BODY	BRASS	GOLD 0.2 OVER NICKEL 2	
OUTER CONTACT	BERYLLIUM COPPER	GOLD 0.5 OVER NICKEL 2	
CENTER CONTACT	BRASS	GOLD 1.3 OVER NICKEL 2	
INSULATOR	PTFE	-	
GASKET	-	-	
OTHERS PIECES	-	-	

ISSUE	CREATION DATE	FILE PART-NUMBER	
0825 A01	01/03/1999	98-0104-329	

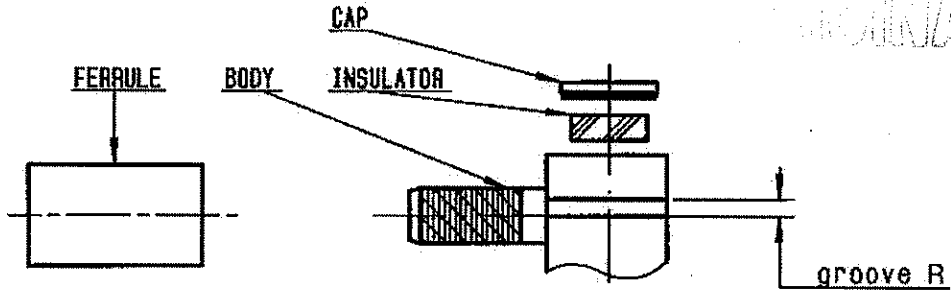
The information given here is subject to change without notice.
Design changes may be in order to improve the product.

Connect to the future

RAMBERT

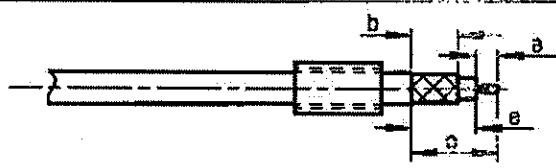


R300.113.100
 ISSUE 0825 A01 SERIES DIVERS



①

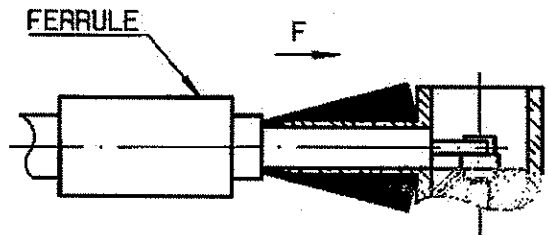
Slide onto the cable the ferrule .
 Strip the cable .
 Tin cable inner conductor .



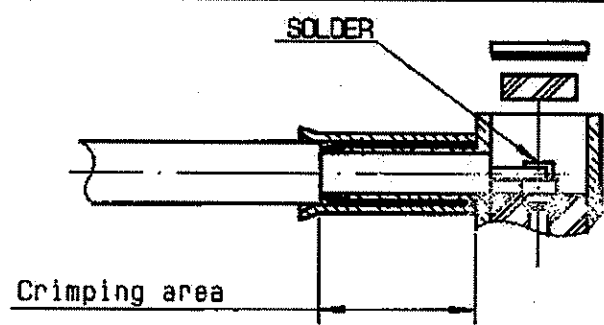
Stripping	a	b	c	d	e
inch	0.079	0.197	0.315	0	0.36
mm	2	5	8		6

②

Fan the braid .
 Push connector body under the braid .
 Slide the ferrule on the braid
 (in direction F)

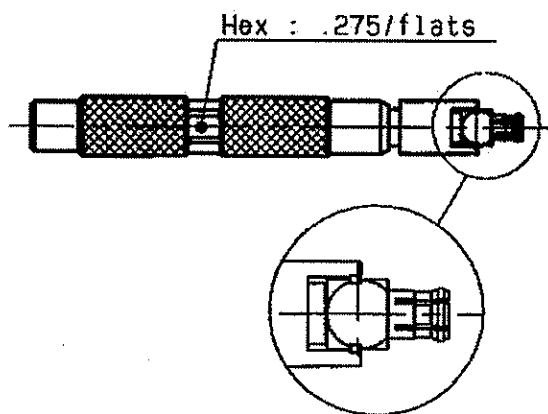


Crimp the ferrule with crimping tool R282 271 000 (Hex. : .128) or crimping tool R 282 293 000 (M22520/5-01) + dies R 282 235 003 (M22520/5-03)
 Solder inner conductor .
 Introduce the insulator into the body .
 Press fit the cap .



④

Slide mounting tool R282 868 onto the body grooves.
 Press fit the cap turning tool handle with adapted wrench .275 (AF) (cap in the same plan than square face).



RAMBERT

X-ON Electronics

Largest Supplier of Electrical and Electronic Components

Click to view similar products for [RF Connectors / Coaxial Connectors](#) category:

Click to view products by [Radiall](#) manufacturer:

Other Similar products are found below :

[8915-1511-000](#) [89674-0827](#) [6001-7071-019](#) [6002-7051-003](#) [6002-7551-202](#) [6059674-1](#) [619550-1](#) [630059-000](#) [M39030/3-01N](#) [6500-7071-046](#) [6769](#) [CX050L2AQ](#) [7002-1541-010](#) [7002-1542-011](#) [7004-1512-000](#) [7009-1511-004](#) [7010-1511-000](#) [7029-1511-060](#) [7101-1541-010](#) [7101-1571-002](#) [7145-1521-002](#) [7203-1571-003](#) [7209-1511-011](#) [7210-1511-015](#) [7210-1511-019](#) [73137-5015](#) [73216-2241](#) [73404-2300](#) [7405-1521-005](#) [7405-1521-802](#) [8527](#) [8547](#) [FS11V](#) [877931](#) [8808-1511-001](#) [9049-9513-000](#) [9074-9513-000](#) [9101-9573-002](#) [910A205F](#) [9130-9573-002](#) [PL11SC-026](#) [PL375-33](#) [PL40-5](#) [PL74C-221](#) [PL75MC-217](#) [PL803-7](#) [980-8666-005](#) [1200690078](#) [1-201144-1](#) [R107003010W](#)