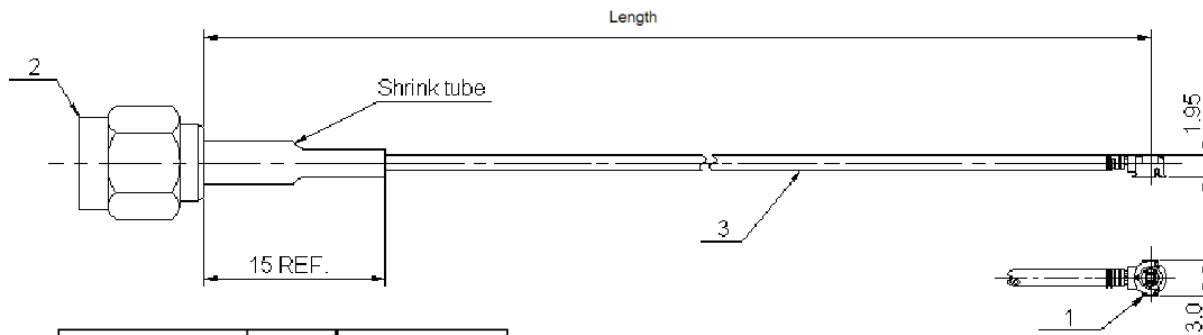


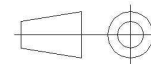
PLUG MML H2.5-PLUG SMA	R302.255.002 XXX
CABLE 1.33/50S-BR,LENGTH=XXX MM	Series : MML



Length=XXX	Step	Tolerance
30 to 100	10	±2
110 to 200		±3
225 to 300	25	±5
325 to 400		±10

E.g. XXX=070 means length is 70±2, the part number is R302.255.002 070

All dimensions are in mm.



- * 1 * Connector A : **MML H2.5 PLUG (gold plated)**
- * 2 * Connector B : **SMA PLUG(gold plated)**
- * 3 * Cable : **1.33/50S BLACK**

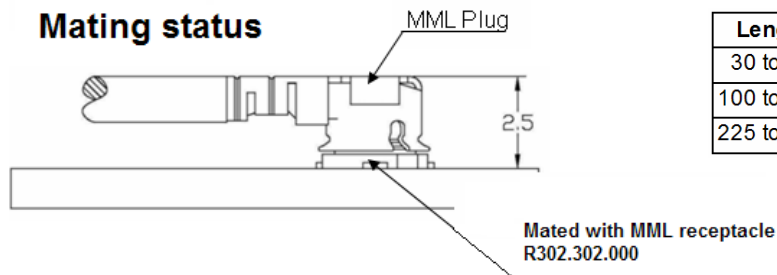
ELECTRICAL CHARACTERISTICS

Impedance	50 Ω
Frequency	0-6 GHz
Operating temperature	-40/+90 ° C
VSWR	1.3 ** + 0.00 x F(GHz) Maxi
Insertion loss	0.73* √F(GHz) dB Maxi
Voltage rating	250 Veff Maxi
Dielectric withstanding voltage	300 Veff mini
Insulation resistance	500 MΩ mini

SPECIFICATION

Weight	3* g
Cable retention	4 N mini
Mating life	30 Cycles
Others : **VSWR up to 3GHz	1.3 max
	up to 6GHz 1.5 max

Mating status



Length	*Insertion loss(Maxi)	*Weight(Maxi)
30 to 90	0.73 dB	3.00 g
100 to 200	1.16 dB	3.50 g
225 to 400	2.02 dB	4.00 g

Edition : 1337 A

Design changes may be in order to improve the product.

This document contains proprietary information and such information shall not be disclosed to any third party for any purpose whatsoever or used for manufacturing purposes without prior written agreement from RADIALL



X-ON Electronics

Largest Supplier of Electrical and Electronic Components

Click to view similar products for [RF Cable Assemblies](#) category:

Click to view products by [Radiall](#) manufacturer:

Other Similar products are found below :

[73-6352-10](#) [73-6353-3](#) [R285001001](#) [R288940004](#) [145111-05-12.00](#) [1661-C-24](#) [1801171170914KE](#) [24P104C24J1-012](#) [24P104C24P1-006](#)
[24P104C24P1-018](#) [24P204C24J1-003](#) [172-2150-EX](#) [1800920920914PJ](#) [FCB-3030-ALT](#) [21117-046](#) [21117-050](#) [PCX-24-50](#) [24P103C24P2-](#)
[003](#) [25P203C25P2-003](#) [R284008001](#) [R285001021](#) [R285426000](#) [R288940003](#) [4814-BB-24](#) [5260-72](#) [JT2N1-CL1-1F](#) [DLP-COAX1](#) [4814-K-](#)
[48](#) [115101-09-06.00](#) [CCNTN2-MM-LL335-26](#) [73-6351-25](#) [73-6352-3](#) [73-6353-25](#) [1800920920610PJ](#) [GD0BQ0BQ024.0](#) [1-3636-600-5210](#)
[TL8A-11SMA-11SMA-01500-51](#) [R284C0351060](#) [R288940009](#) [R284C0351028](#) [R288940002](#) [9702-1SL-1](#) [PT82NSMA](#) [73-6353-10](#)
[R285020301W](#) [PCX-18-50](#) [Minibend-9](#) [Minibend-4](#) [BNC TO SMA Cable](#) [MIKROE-274](#)