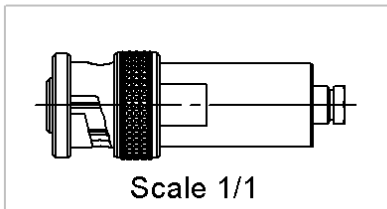
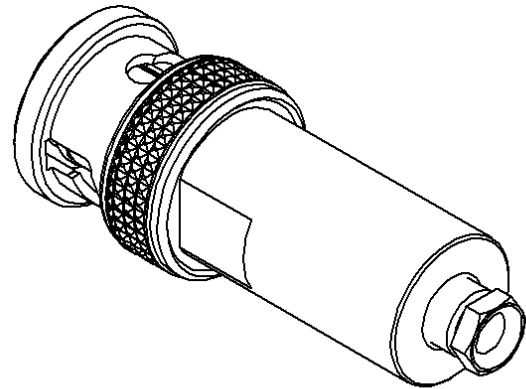
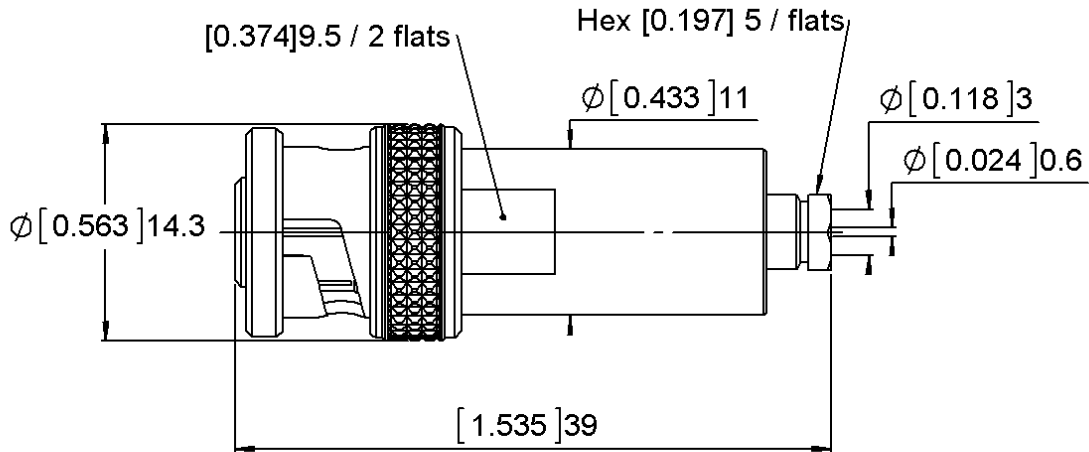
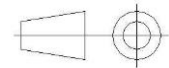


PAGE 1/3	ISSUE 1449 B	SERIES <b>BNC-HT / MHV</b>	PART NUMBER <b>R316004000</b>
----------	--------------	----------------------------	-------------------------------



All dimensions are in mm.



COMPONENTS	MATERIALS	PLATING (μm)
Body	<b>BRASS</b>	<b>NICKEL2</b>
Center contact	<b>BRASS</b>	<b>-SILVER</b>
Outer contact	-	-
Insulator	<b>PTFE</b>	
Gasket	-	
Others parts	<b>BRASS</b>	<b>NICKEL2</b>
-	-	-
-	-	-

PAGE <b>2/3</b>	ISSUE <b>1449 B</b>	SERIES <b>BNC-HT / MHV</b>	PART NUMBER <b>R316004000</b>
-----------------	---------------------	----------------------------	-------------------------------

### PACKAGING

Standard	Unit	Other
<b>100</b>	<b>Contact us</b>	<b>Contact us</b>

### ELECTRICAL CHARACTERISTICS

Impedance	<b>50</b>	$\Omega$
Frequency	<b>0-2</b>	GHz
VSWR	<b>1.2 + 0.2000</b>	x F(GHz) Maxi
Insertion loss	-	$\sqrt{F}$ (GHz) dB Maxi
RF leakage	- (	- F(GHz)) dB Maxi
Voltage rating	-	Veff Maxi
Dielectric withstanding voltage	<b>6000*</b>	Veff mini
Insulation resistance	-	M $\Omega$ mini

### MECHANICAL CHARACTERISTICS

Center contact retention		
Axial force – Mating End	<b>NA</b>	N mini
Axial force – Opposite end	<b>NA</b>	N mini
Torque		N.cm mini
Recommended torque		
Mating	<b>0</b>	N.cm
Panel nut	<b>0</b>	N.cm
Clamp nut	<b>40</b>	N.cm
A/F clamp nut	<b>5.0000</b>	mm
Mating life	<b>500</b>	Cycles mini
Weight	<b>19.9200</b>	g

### ENVIRONMENTAL

Operating temperature	<b>-55/+155</b>	$^{\circ}\text{C}$
Hermetic seal	-	Atm.cm3/s
Panel leakage	-	

### SPECIFICATION

### CABLE ASSEMBLY

Stripping	a	b	c	d	e	f
mm	<b>0</b>	<b>0</b>	<b>0</b>	<b>0</b>	<b>0</b>	<b>0</b>

Assembly instruction:

Recommended cable(s)

**RG174**

Characteristics indicated on this data sheet are those that can be achieved with the highest performance cable. Intrinsic limitations of the cable may diminish the performance of the assembly

Cable retention

- pull off	<b>110</b>	N mini
- torque	<b>NA</b>	N.cm

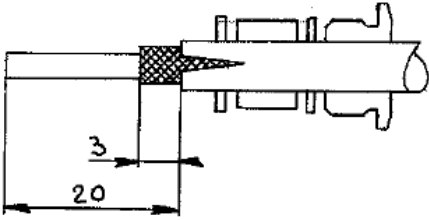
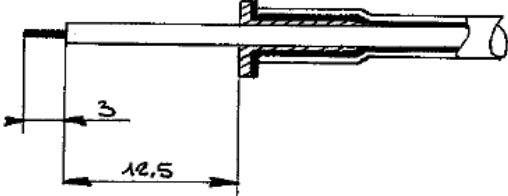
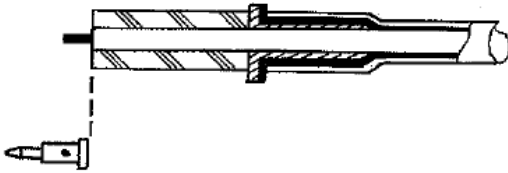
### TOOLING

Part Number	Description	Hexagon
.	.	.

### OTHER CHARACTERISTICS

**\*Test frequency at 60Hz;  
10 KVeff for mated pair**

PAGE 3/3	ISSUE 1449 B	SERIES BNC-HT / MHV	PART NUMBER R316004000
----------	--------------	---------------------	------------------------

<ul style="list-style-type: none"> <li>- Dénuder le câble.</li> <li>- Fente facultative de la gaine.</li> </ul>		<p>Strip off the cable. Optional slot on sheath.</p>
<ul style="list-style-type: none"> <li>- Monter la bague serre-tresse.</li> <li>- Couper la tresse au diamètre du serre-tresse.</li> <li>- Dénuder l'âme.</li> </ul>		<p>Assemble the braid clamp. Cut braid to braid-clamp diameter. Strip off core.</p>
<ul style="list-style-type: none"> <li>- Monter l'isolant d'adaptation.</li> <li>- Souder la broche en appui sur le diélectrique.</li> <li>- Monter dans le corps du connecteur et bloquer le bouchon presse-étoupe.</li> </ul>		<p>Assemble adaptation insert. Solder pin contact against dielectric. Mount assembly in connector body and lock cable clamp.</p>

## X-ON Electronics

Largest Supplier of Electrical and Electronic Components

*Click to view similar products for [RF Connectors / Coaxial Connectors](#) category:*

*Click to view products by [Radiall](#) manufacturer:*

Other Similar products are found below :

[8915-1511-000](#) [89674-0827](#) [6001-7071-019](#) [6002-7051-003](#) [6002-7551-202](#) [6059674-1](#) [619550-1](#) [630059-000](#) [M39030/3-01N](#) [6500-7071-046](#) [6769](#) [CX050L2AQ](#) [7002-1541-010](#) [7002-1542-011](#) [7004-1512-000](#) [7009-1511-004](#) [7010-1511-000](#) [7029-1511-060](#) [7101-1541-010](#) [7101-1571-002](#) [7145-1521-002](#) [7203-1571-003](#) [7209-1511-011](#) [7210-1511-015](#) [7210-1511-019](#) [73137-5015](#) [73216-2241](#) [73404-2300](#) [7405-1521-005](#) [7405-1521-802](#) [8527](#) [8547](#) [FS11V](#) [877931](#) [8808-1511-001](#) [9074-9513-000](#) [9101-9573-002](#) [910A205F](#) [9130-9573-002](#) [PL11SC-026](#) [PL375-33](#) [PL40-5](#) [PL74C-221](#) [PL75MC-217](#) [PL803-7](#) [1200690078](#) [1-201144-1](#) [R107003010W](#) [R110A172100](#) [R112186000](#)