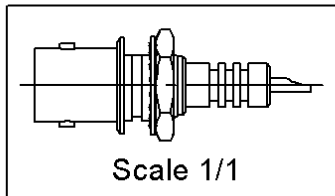
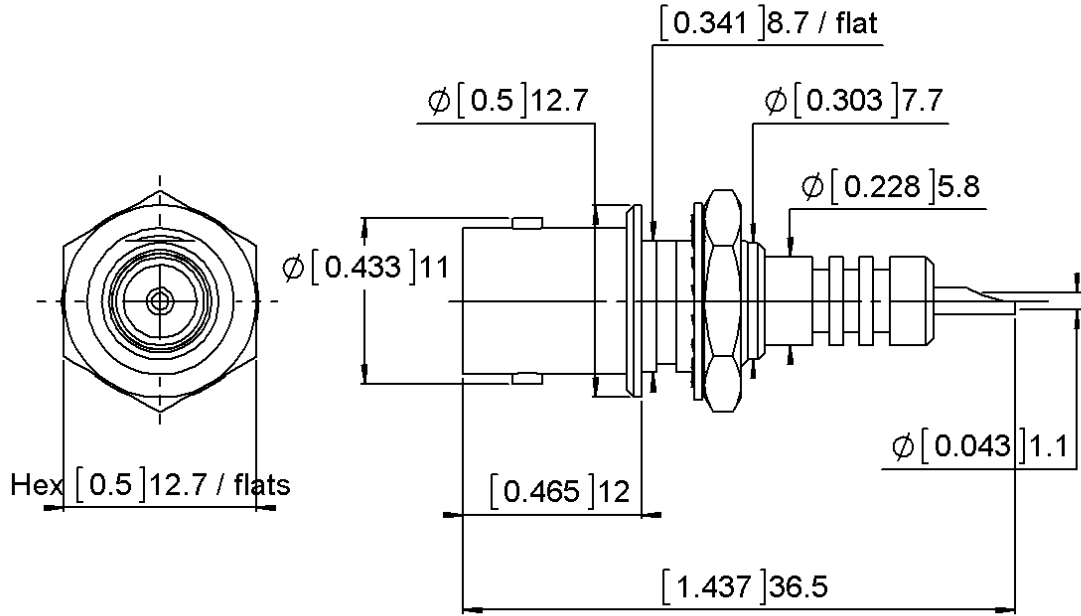
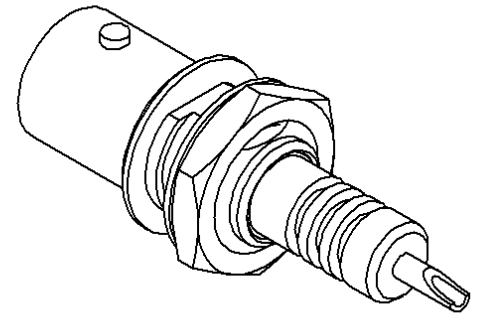
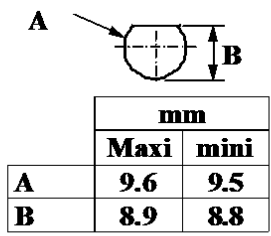


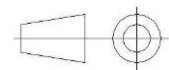
PAGE 1/2	ISSUE 19-04-17Q	SERIES BNC-HT / MHV	PART NUMBER R316553000
----------	-----------------	---------------------	------------------------



**PANEL CUT OUT**



All dimensions are in mm. Tolerances according ISO 2768 m-H



COMPONENTS	MATERIALS	PLATING (µm)
Body	<b>BRASS.</b>	<b>NICKEL2</b>
Center contact	<b>BERYLLIUM COPPER</b>	<b>Silver</b>
Outer contact	-	-
Insulator	<b>PTFE</b>	-
Gasket	-	-
Others parts	<b>BRASS,BRONZE</b>	<b>NICKEL2</b>
-	-	-
-	-	-

PAGE 2/2	ISSUE 19-04-17Q	SERIES BNC-HT / MHV	PART NUMBER R316553000
----------	-----------------	---------------------	------------------------

**PACKAGING**

Standard	Unit	Other
100	Contact us	Contact us

**ELECTRICAL CHARACTERISTICS**

Impedance		<b>50</b>	Ω
Frequency		<b>0-2</b>	GHz
VSWR	<b>1.2*</b> +	<b>0,2000</b>	x F(GHz) Maxi
Insertion loss		<b>NA</b>	√F(GHz) dB Maxi
RF leakage	- (	<b>NA</b>	- F(GHz) dB Maxi
Voltage rating		<b>NA</b>	Veff Maxi
Dielectric withstanding voltage		<b>6000**</b>	Veff mini
Insulation resistance		<b>NA</b>	MΩ mini

**ENVIRONMENTAL**

Operating temperature	<b>-55/+155</b>	°C
Hermetic seal	<b>NA</b>	Atm.cm3/s
Panel leakage	<b>NA</b>	

**MECHANICAL CHARACTERISTICS**

Center contact retention			
Axial force – Mating End		<b>27</b>	N mini
Axial force – Opposite end		<b>27</b>	N mini
Torque		<b>0</b>	N.cm mini
Recommended torque			
Mating		<b>0</b>	N.cm
Panel nut		<b>320</b>	N.cm
Mating life		<b>500</b>	Cycles mini
Weight		<b>7,6100</b>	g

**SPECIFICATION**

**OTHER CHARACTERISTICS**

Assembly instruction:

Others:

**\*Coaxial line transmission only**

**\*\*Test frequency at 60Hz;**

**10 KVeff for mated pair**

## X-ON Electronics

Largest Supplier of Electrical and Electronic Components

*Click to view similar products for [RF Connectors / Coaxial Connectors](#) category:*

*Click to view products by [Radiall](#) manufacturer:*

Other Similar products are found below :

[8915-1511-000](#) [89674-0827](#) [6001-7071-019](#) [6002-7051-003](#) [6002-7551-202](#) [6059674-1](#) [619550-1](#) [630059-000](#) [M39030/3-01N](#) [6500-7071-046](#) [6769](#) [CX050L2AQ](#) [7002-1541-010](#) [7002-1542-011](#) [7004-1512-000](#) [7009-1511-004](#) [7010-1511-000](#) [7029-1511-060](#) [7101-1541-010](#) [7101-1571-002](#) [7145-1521-002](#) [7203-1571-003](#) [7209-1511-011](#) [7210-1511-015](#) [7210-1511-019](#) [73137-5015](#) [73216-2241](#) [73404-2300](#) [7405-1521-005](#) [7405-1521-802](#) [8527](#) [8547](#) [FS11V](#) [877931](#) [8808-1511-001](#) [9049-9513-000](#) [9074-9513-000](#) [9101-9573-002](#) [910A205F](#) [9130-9573-002](#) [PL11SC-026](#) [PL375-33](#) [PL40-5](#) [PL74C-221](#) [PL75MC-217](#) [PL803-7](#) [980-8666-005](#) [1200690078](#) [1-201144-1](#) [R107003010W](#)