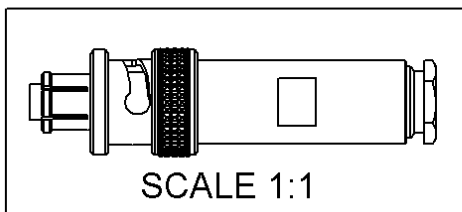
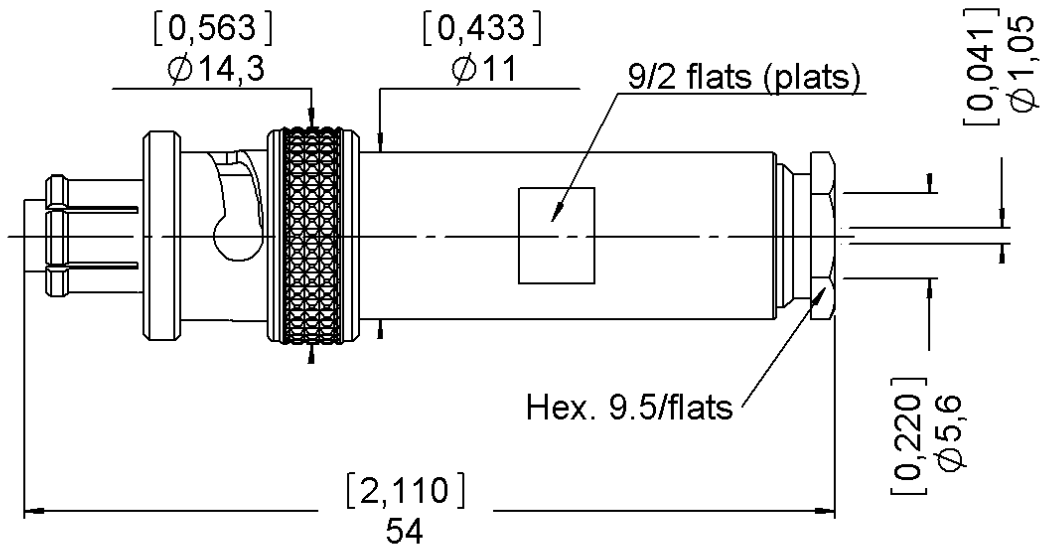


PAGE 1/3	ISSUE 16-03-16P	SERIES SHV	PART NUMBER R317005000
----------	-----------------	------------	------------------------



All dimensions are in mm.

COMPONENTS	MATERIALS	PLATING (µm)
Body	BRASS	NICKEL
Center contact	BERYLLIUM COPPER	GOLD OVER NICKEL
Outer contact	BERYLLIUM COPPER	NICKEL
Insulator	PTFE	
Gasket	SILICONE RUBBER	
Others parts	BRASS	NICKEL
-	-	-
-	-	-

PAGE 2/3	ISSUE 16-03-16P	SERIES SHV	PART NUMBER R317005000
-----------------	------------------------	-------------------	-------------------------------

PACKAGING

Standard	Unit	Other
1	Contact us	Contact us

ELECTRICAL CHARACTERISTICS

Impedance	50	Ω
Frequency	0-2	GHz
VSWR	1.2 + 0,3000	x F(GHz) Maxi
Insertion loss	NA	\sqrt{F} (GHz) dB Maxi
RF leakage	- (NA)	- F(GHz)) dB Maxi
Voltage rating	**	Veff Maxi
Dielectric withstanding voltage	10000*	Veff mini
Insulation resistance	5000	M Ω mini

MECHANICAL CHARACTERISTICS

Center contact retention		
Axial force – Mating End	27	N mini
Axial force – Opposite end	27	N mini
Torque	NA	N.cm mini
Recommended torque		
Mating	NA	N.cm
Panel nut	NA	N.cm
Clamp nut	150	N.cm
A/F clamp nut	9,5000	mm
Mating life	500	Cycles mini
Weight	25,0000	g

ENVIRONMENTAL

Operating temperature	-65/+165	$^{\circ}\text{C}$
Hermetic seal	NA	Atm.cm3/s
Panel leakage	NA	

SPECIFICATION

CABLE ASSEMBLY

Stripping	a	b	c	d	e	f
mm	3.5	25	0	0	20.5	0

Assembly instruction:

Recommended cable(s)

RG 142 BU
RG 58
KX 15

Characteristics indicated on this data sheet are those that can be achieved with the highest performance cable. Intrinsic limitations of the cable may diminish the performance of the assembly

Cable retention

- pull off	180	N mini
- torque	NA	N.cm

TOOLING

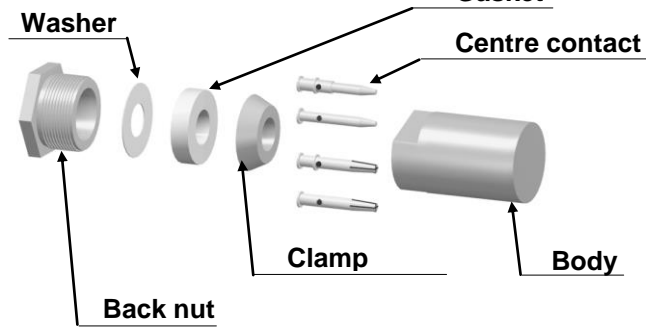
Part Number	Description	Hexagon
R282223000	CRIMPING TOOL	HEX 1.73
R282235011	CRIMPING DIES M22520/5-11	HEX 1.73
R282293000	CRIMPING TOOL M22520/5-01	

OTHER CHARACTERISTICS

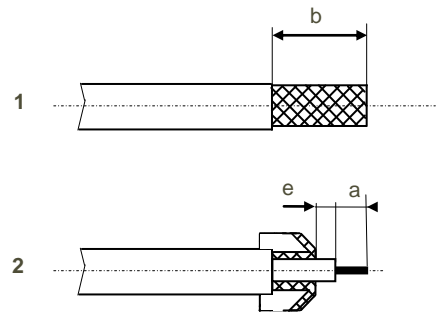
- ** 6000 V eff (DC)**
- ** 3500 V rms (AC)**
- * 12000 V - Coupled Connector**

PAGE 3/3	ISSUE 16-03-16P	SERIES SHV	PART NUMBER R317005000
----------	-----------------	------------	------------------------

COMPONENTS



STRIPPING DIMENSIONS



1

Strip the cable as shown in sketch 1.

4

Slide the back nut over the cable assembly.

2

Slide the clamp nut, the washer and the gasket onto the cable.
Slide the clamp braid sleeve over the braid.

5

Crimp or solder the centre contact onto the inner conductor (see TDS connector).

3

Fold the braid back and trim off the extra braid.
Trim dielectric back as shown in sketch 2.

6

Screw sub-assembly into the connector body with the adapted wrench.
Recommended coupling torque (see connector TDS).

X-ON Electronics

Largest Supplier of Electrical and Electronic Components

Click to view similar products for [RF Connectors / Coaxial Connectors](#) category:

Click to view products by [Radiall](#) manufacturer:

Other Similar products are found below :

[8915-1511-000](#) [89674-0827](#) [6001-7071-019](#) [6002-7051-003](#) [6002-7551-202](#) [6059674-1](#) [619550-1](#) [630059-000](#) [M39030/3-01N](#) [6500-7071-046](#) [6769](#) [CX050L2AQ](#) [7002-1541-010](#) [7002-1542-011](#) [7004-1512-000](#) [7009-1511-004](#) [7010-1511-000](#) [7029-1511-060](#) [7101-1541-010](#) [7101-1571-002](#) [7145-1521-002](#) [7203-1571-003](#) [7209-1511-011](#) [7210-1511-015](#) [7210-1511-019](#) [73137-5015](#) [73216-2241](#) [73404-2300](#) [7405-1521-005](#) [7405-1521-802](#) [8527](#) [8547](#) [FS11V](#) [877931](#) [9049-9513-000](#) [9074-9513-000](#) [9101-9573-002](#) [910A205F](#) [9130-9573-002](#) [PL11SC-026](#) [PL375-33](#) [PL40-5](#) [PL74C-221](#) [PL75MC-217](#) [PL803-7](#) [980-8666-005](#) [1200690078](#) [1-201144-1](#) [R107003010W](#) [R110A172100](#)