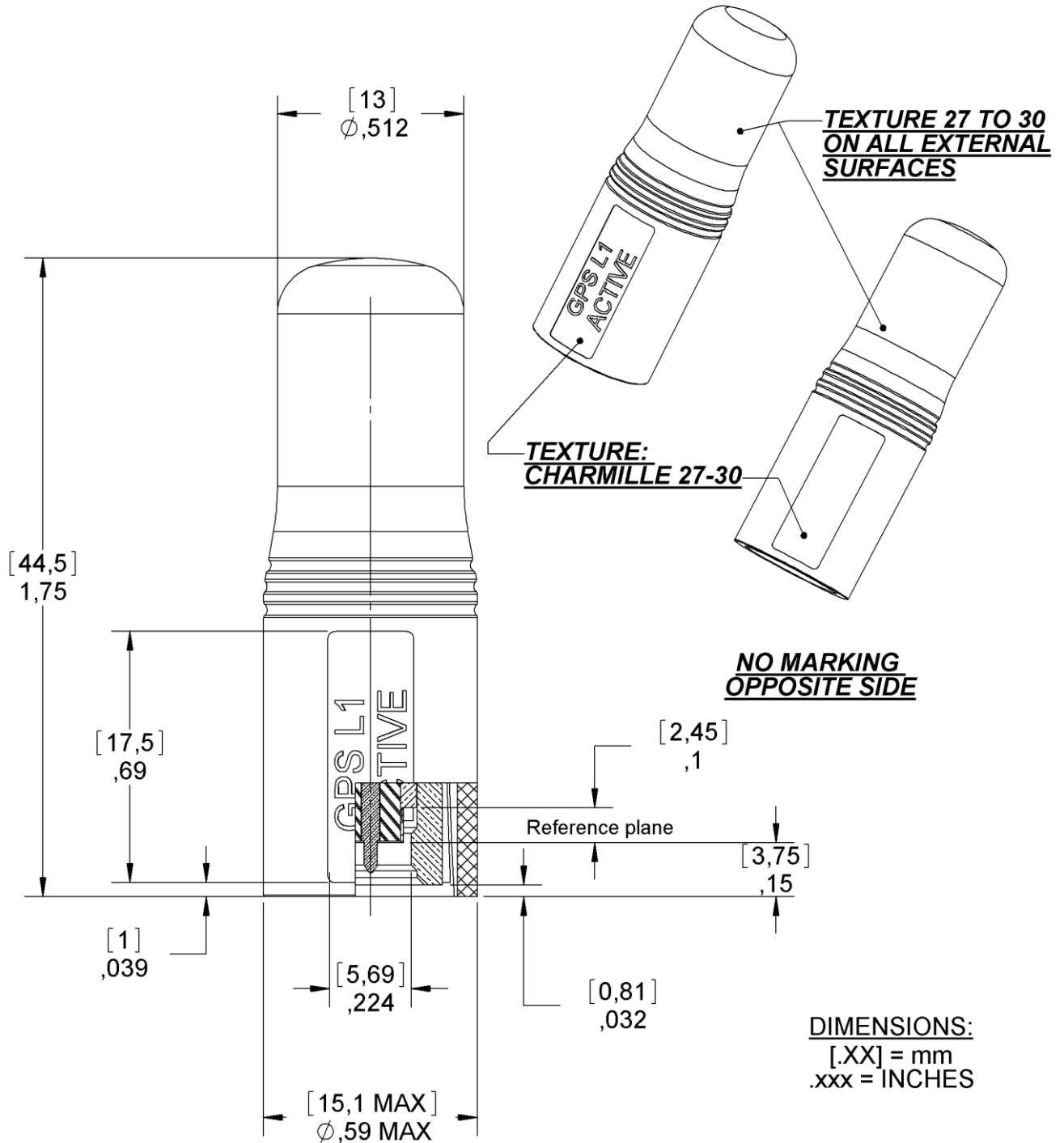


PAGE 1/3	ISSUE 251114A	SERIES ANTENNA	PART NUMBER R380.300.013
----------	---------------	-------------------	--------------------------



All dimensions are in [mm] / inches

PAGE 2/3	ISSUE 251114A	SERIES ANTENNA	PART NUMBER R380.300.013
----------	----------------------	--------------------------	---------------------------------

ELECTRICAL CHARACTERISTICS

Frequency :	GPS L1 (1575.42)	MHz
Nominal Impedance :	50	Ω
VSWR :	2.0:1	Typ
	2.5:1	Max
Gain :		
Radiating Element only :	-3	dBic \pm 1dB
Active Gain (LNA) :	16	dB typ
Polarization :	RHCP	
Radiation Pattern:	Hemi-spherical	
3 dB Beamwidth (both planes) :	120° x 120°	typ
P1 dB compression :	-14	dBm
Noise Figure (LNA alone) :	1.5	dB max
Supply Voltage :	3.3	V typ.
	3.0	V min
	3.5	V max
Current consumption :	8	mA typ
Connector type :	Male SMA	

MECHANICAL CHARACTERISTICS

Plastic radome :	PEI
Color :	BLACK
Texture :	Charmille 30
Weight :	30 g
Overall length :	<1.77 in <45 mm
Max Diameter	0.59 in 15.1 mm
RoHS Compliant:	Yes

ENVIRONMENTAL CHARACTERISTICS

Operating temperature :	-32/+55 °C IAW MIL-STD-810G meth 501.5 & 502.5, proc II
Storage temperature :	-55/+85 °C IAW MIL-STD-810G meth 501.5 & 502.5, proc I
Temperature Shocks	3 cycles -40/+70°C IAW MIL-STD-810G meth 503.5 , proc I
Altitude :	40,000 ft IAW MIL-STD-810G meth 500.5, proc I
Humidity :	Induced Hot Humid IAW MIL-STD-810G meth 507.5, proc II
Immersion (mated to radio)	20m, for 2h IAW MIL-STD-810G meth 512.5, proc I
Salt Fog :	96h (4x24h alternating wet & dry) IAW MIL-STD-810G meth 509.5
Solar Radiation:	10 cycles, 20/4h sun/dark IAW MIL-STD-810G meth 505.5, proc II
Transit Shocks :	26 drops from 1.2m high IAW MIL-STD-810G meth 516.6, proc IV
Fluid Contamination	Table 504.1-II MIL-STD-810G Meth 504.1, proc II

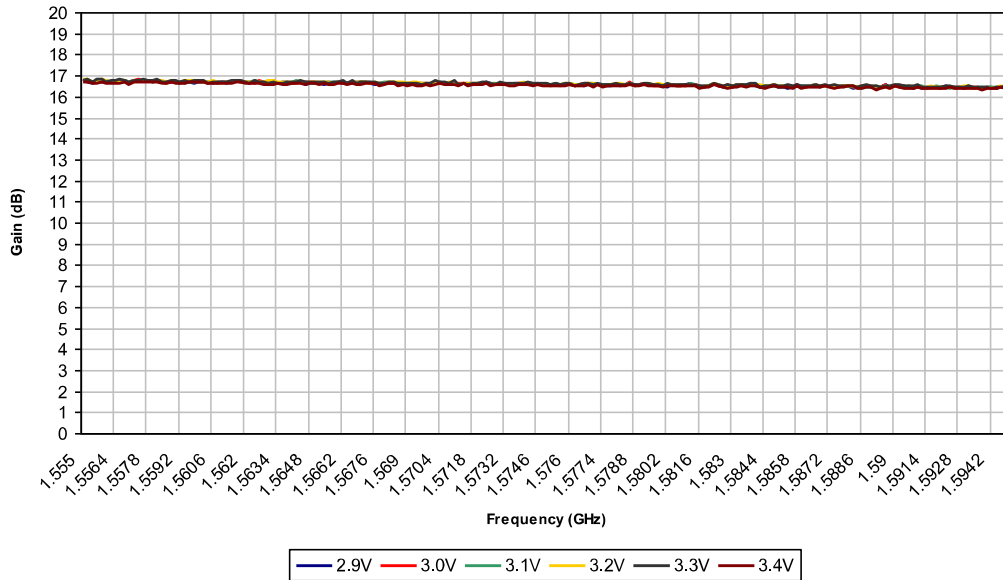


Figure 1: LNA Gain vs DC input voltage

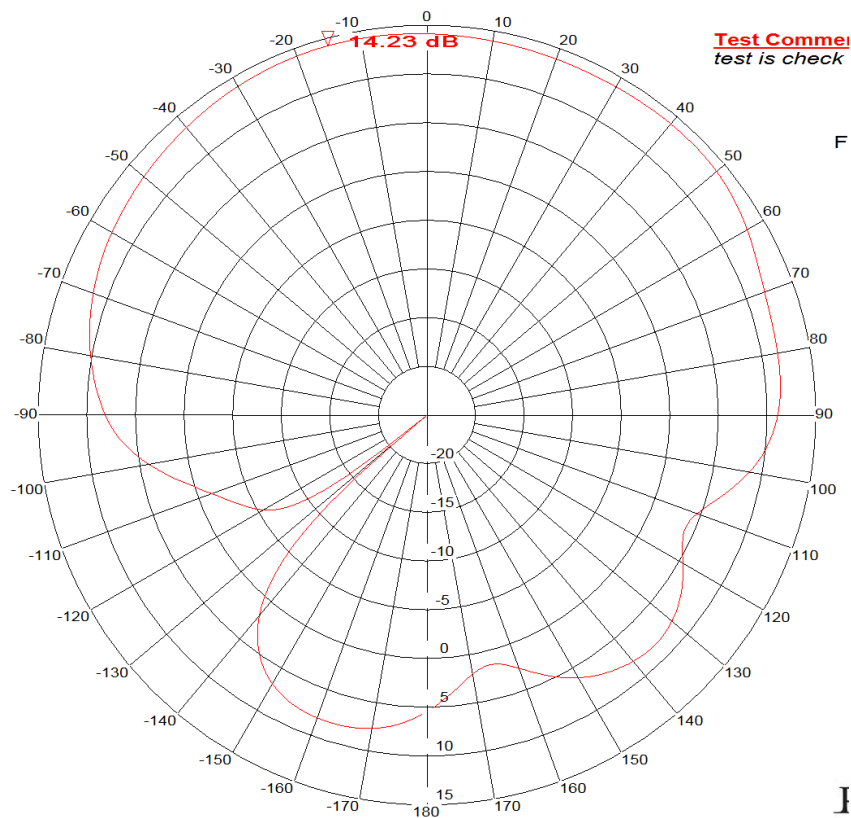


Figure 3: Typical elevation pattern in free space (RHCP)

X-ON Electronics

Largest Supplier of Electrical and Electronic Components

Click to view similar products for [Antennas](#) category:

Click to view products by [Radiall](#) manufacturer:

Other Similar products are found below :

[GAN30084EU](#) [930-033-R](#) [GW17.07.0250E](#) [1513563-1](#) [EXE902SM](#) [APAMPG-117](#) [MAF94383](#) [W3908B0100](#) [W6102B0100](#) [YE572113-30RSMM](#) [108-00014-50](#) [66089-2406](#) [SPDA17RP918](#) [A09-F8NF-M](#) [A09-F5NF-M](#) [RGFRA1903041A1T](#) [W3593B0100](#) [W3921B0100](#) [SIMNA-868](#) [SIMNA-915](#) [SIMNA-433](#) [W1044](#) [W1049B090](#) [A75-001](#) [WTL2449CQ1-FRSMM](#) [CPL9C](#) [EXB148BN](#) [0600-00060](#) [TRA9020S3PBN-001](#) [Y4503](#) [GD5W-28P-NF](#) [MA9-7N](#) [GD53-25](#) [GD5W-21P-NF](#) [C37](#) [MAF94051](#) [MA9-5N](#) [EXD420PL](#) [B1322NR](#) [QWFTB120](#) [MAF94271](#) [MAF94300](#) [GPSMB301](#) [FG4403](#) [AO-AGSM-OM54](#) [5200232](#) [MIKROE-2349](#) [WCM.01.0111](#) [MIKROE-2393](#) [MIKROE-2352](#)