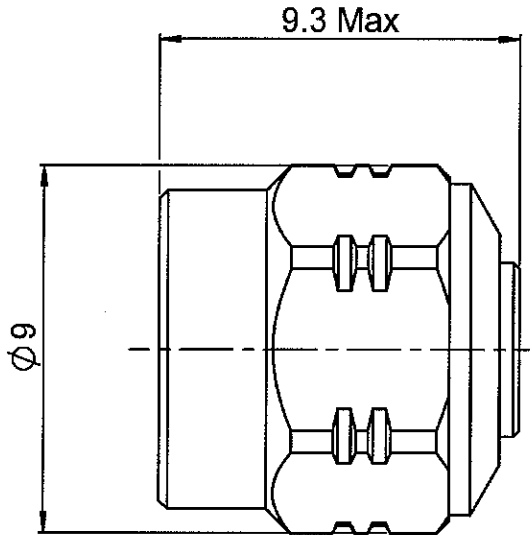


**COAXIAL TERMINATION SMA MALE**

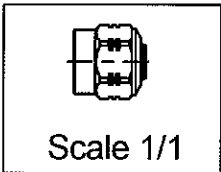
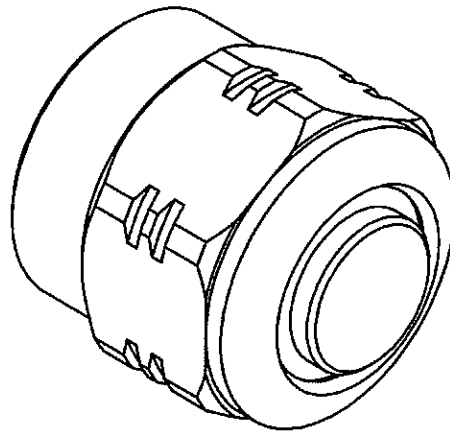
**1W 4GHZ PACK 500**

**R404.101.000**

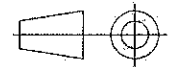
Series : **CHARGE**



Packaging by : 500  
 Single packaging : W option  
 Other : Contact us



dimensions are in mm.



COMPONENTS	MATERIALS	PLATINGS (µm)
BODY	BRASS	NICKEL 2
CENTER CONTACT	BRASS	GOLD 0.5 OVER NICKEL 2
OUTER CONTACT		
INSULATOR	PTFE	
GASKET	SILICONE RUBBER	
OTHERS PARTS	BRASS	BBR 2

Issue : 0449 E

In the effort to improve our products, we reserve the right to make changes judged to be necessary.



**COAXIAL TERMINATION SMA MALE**

**1W 4GHZ PACK 500**

**R404.101.000**

Series : **CHARGE**

**ELECTRICAL CHARACTERISTICS**

Frequency	DC-1	GHz	1-4	GHz	GHz	GHz	GHz
V.S.W.R	≤1.08		≤1.20		≤		≤

Impedance 50 Ω  
 Average power at 25°C 1 W  
 Peak power at 25°C 100 W

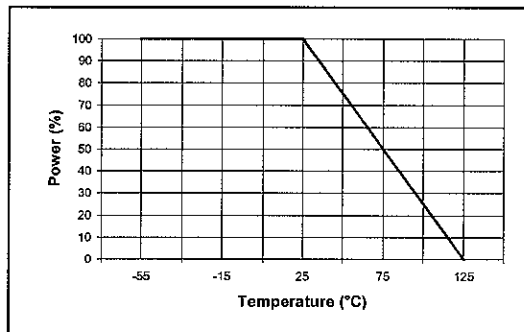
**MECHANICAL CHARACTERISTICS**

Connectors SMA Male  
 Coupling torque 60 N.cm  
 Mating life 100 Cycles mini.  
 Weight 1.000 g

**ENVIRONMENTAL**

Operating temperature range -55/+125 °C  
 Storage temperature range -55/+125 °C

Power derating  
 Versus temperature



**SPECIFICATION**

**OTHER CHARACTERISTICS**



## X-ON Electronics

Largest Supplier of Electrical and Electronic Components

*Click to view similar products for [RF Terminators](#) category:*

*Click to view products by [Radiall](#) manufacturer:*

Other Similar products are found below :

[M390303-02N](#) [M39030/3-04S](#) [M39030/3-09S](#) [M39030/3-11N](#) [TNG1-9-78-D3](#) [TNA2-50](#) [TNG1-6-78](#) [TNH1-1-50](#) [R404280000](#) [TNGFL1-1-78](#) [R4042N5000](#) [53S1RR-001N3](#) [142275](#) [56S1RR-001N4](#) [65\\_BNC-50-0-7/133\\_NE](#) [71S1RR-001N4](#) [02S17R-001D3](#) [R404240120](#) [R404260000](#) [HT-10-2](#) [FL LCX 50-OHM-RSMA](#) [M39030/3-04N](#) [TNA1-6-50](#) [131-3801-811](#) [TNA1-1-50](#) [65\\_N-50-0-51/113\\_NE](#) [65\\_BNC-50-0-2/133\\_NE](#) [65\\_N-50-0-1/133\\_NE](#) [65002\\_N-50-1/122\\_NE](#) [65\\_MMCX-50-0-31/111\\_OE](#) [18K15R-0.5E3](#) [2702702](#) [TRM-2161-M0-35M-02](#) [53S17R-001N3](#) [1100.19.0001](#) [6701.01.B](#) [18S24H-40ML5](#) [TRM-2053-M0-NNN-02](#) [R404759000](#) [M39030/6-02N](#) [TRM-2053-MC-NNN-02](#) [M39030/3-03S](#) [SF8012-6009](#) [6701.01.A](#) [65\\_MCX-50-0-4/111\\_NE](#) [65\\_716-50-0-2/003\\_-E](#) [65\\_SMB-50-0-1/111\\_NE](#) [M39030/3-12N](#) [82-5722-RFX](#) [8018-6174](#)