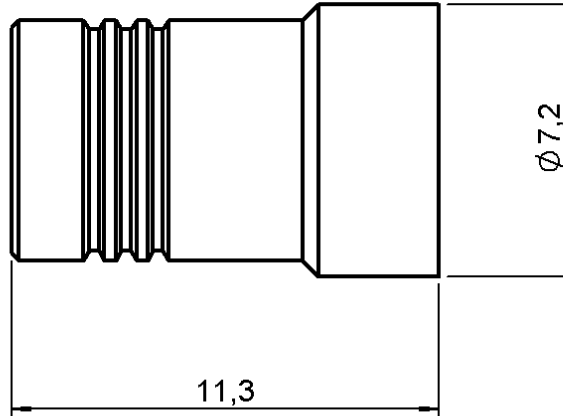


**SMB FEMALE TERMINATION**

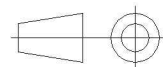
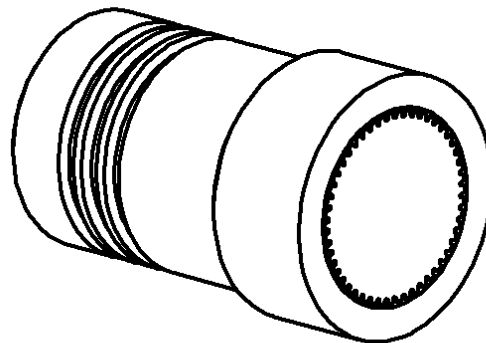
**R404.105.000**

**4 GHZ 1W 50 OHMS**

Series : **TERMINATION**



SCALE 1:1



All dimensions are in mm.

COMPONENTS	MATERIALS	PLATING(µm)
<b>BODY</b>	BRASS	NICKEL 2
<b>CENTER CONTACT</b>	BERYLLIUM COPPER	GOLD 1.3 OVER NICKEL2
<b>OUTER CONTACT</b>	BERYLLIUM COPPER	NICKEL 2
<b>INSULATOR</b>	PTFE	
<b>GASKET</b>	SILICONE	
<b>SUBSTRATE</b>	ALUMINA	
<b>RESISTOR</b>	THICK FILM	
<b>OTHERS PARTS</b>		

**Issue : 0843 A**

In the effort to improve our products, we reserve the right to make changes judged to be necessary.



**SMB FEMALE TERMINATION**

**R404.105.000**

**4 GHZ 1W 50 OHMS**

Series : **TERMINATION**

**ELECTRICAL CHARACTERISTICS**

Frequency (GHz)	DC - 1	1 - 4
V.S.W.R (≤)	1.08	1.20

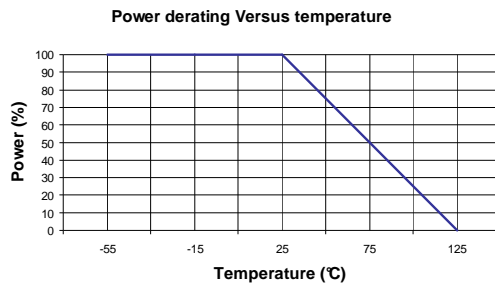
Operating Frequency Range	DC - 4	GHz
Impedance	50	Ω
DC Resistance	50	Ω ± 5%
Peak power at 25°C (1μs, 1%)	100	W
Average power at 25°C	1	W (Free Air Cooled)
		W (Conduction Cooled)

**MECHANICAL CHARACTERISTICS**

Connectors	SMB	Female	MIL C39012
Weight	2,3000 g		

**ENVIRONMENTAL CHARACTERISTICS**

Operating temperature range	-55 /+125 °C
Storage temperature range	-55 /+125 °C



**SPECIFICATION**

**OTHER CHARACTERISTICS**

Issue : 0843 A

In the effort to improve our products, we reserve the right to make changes judged to be necessary.



## X-ON Electronics

Largest Supplier of Electrical and Electronic Components

*Click to view similar products for [RF Terminators](#) category:*

*Click to view products by [Radiall](#) manufacturer:*

Other Similar products are found below :

[M39030/3-09S](#) [9620-9003-151](#) [R404105000](#) [M39030/3-01S](#) [M39030/3-04N](#) [M39030/3-11N](#) [M39030/3-11S](#) [TNA2-50](#) [R404280000](#)  
[R4042N5000](#) [32S17B-1.0E3](#) [28S1ER-001N5](#) [NF-C-1\(40\)](#) [53S1RR-001N3](#) [142275](#) [56S1RR-001N4](#) [18S15R-0.5E3](#) [32K17R-001E3](#)  
[65\\_BNC-50-0-7/133\\_NE](#) [71S1RR-001N4](#) [02S17R-001D3](#) [6500.19.A](#) [R404240120](#) [HT-50-1\(40\)](#) [NF-A-PJ-1\(40\)](#) [R404260000](#) [NF-TMJ-](#)  
[P\(50\)](#) [HT-10-2](#) [000-1075](#) [DCA-17-01](#) [27-9245](#) [M85049/124-13N](#) [R4041D1000](#) [1-221629-6](#) [SF8015-6007](#) [R4041D2121](#) [R4041D2000](#)  
[R4041D1121](#) [65\\_TNC-50-0-5/133\\_NE](#) [65010\\_N-50-1/199\\_NE](#) [65\\_N-75-0-11/133\\_NE](#) [6550.17.AA](#) [65\\_N-50-0-51/113\\_NE](#) [65\\_BNC-50-0-](#)  
[2/133\\_NE](#) [6560.41.AA](#) [65\\_QMA-50-0-4/111\\_NE](#) [65\\_N-50-0-1/133\\_NE](#) [65002\\_N-50-1/122\\_NE](#) [65\\_MMCX-50-0-31/111\\_OE](#) [65\\_SMB-50-](#)  
[0-31/111\\_NE](#)