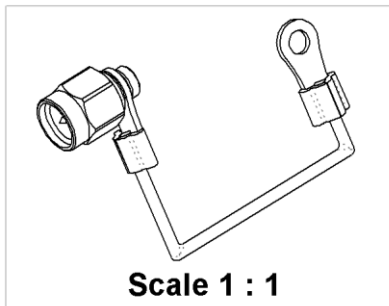
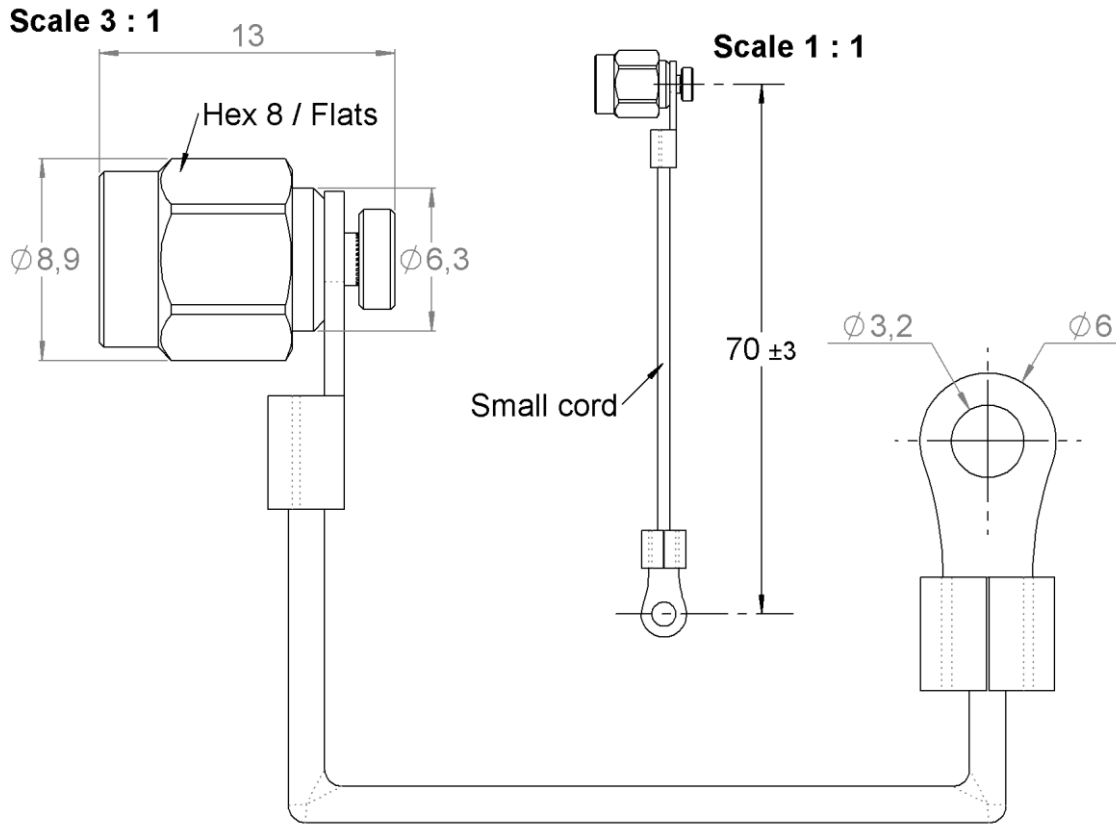
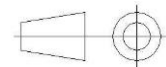


PAGE 1/2	ISSUE 16-11-18B	SERIES <b>TERMINATION</b>	PART NUMBER <b>R404N01121</b>
----------	-----------------	------------------------------	-------------------------------



All dimensions are in mm. Tolerances according ISO 2768 m-H



COMPONENTS	MATERIALS	PLATING (µm)
Body	<b>STAINLESS STEEL</b>	<b>PASSIVATED</b>
Center contact	<b>BRASS</b>	<b>GOLD 0.2 OVER NICKEL PHOSPHORUS 2</b>
Outer contact	<b>STAINLESS STEEL</b>	<b>GOLD 0.2 OVER NICKEL 2</b>
Insulator	<b>PTFE</b>	
Gasket	<b>SILICONE RUBBER</b>	
Substrate	<b>ALUMINA CERAMIC</b>	
Resistor	<b>THICK FILM</b>	
Others parts		

PAGE 2/2	ISSUE 16-11-18B	SERIES TERMINATION	PART NUMBER R404N01121
----------	-----------------	-----------------------	------------------------

ELECTRICAL CHARACTERISTICS

Frequency (GHz)	<b>DC - 8</b>	<b>8 - 12.4</b>	<b>12.4 - 18</b>
V.S.W.R ( $\leq$ )	<b>1.10</b>	<b>1.15</b>	<b>1.20</b>

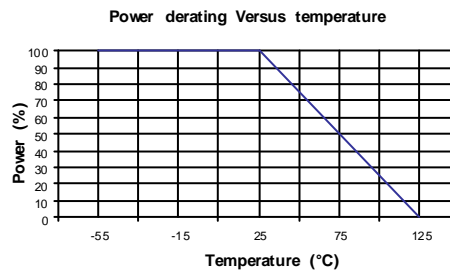
Operating Frequency Range	<b>DC - 18</b>	GHz
Impedance	<b>50</b>	$\Omega$
DC Resistance	<b>50</b>	$\Omega \pm 5\%$
Peak power at 25°C (1 $\mu$ s, 1%)	<b>100</b>	W
Average power at 25°C	<b>2<sup>(1)</sup></b>	W (Free Air Cooled)
		W (Conduction Cooled)

MECHANICAL CHARACTERISTICS

Connectors	<b>SMA</b>	<b>Male</b>	<b>MIL C 39012<sup>(2)</sup></b>
Weight	<b>4,3400</b> g		

ENVIRONMENTAL CHARACTERISTICS

Operating temperature range	<b>-55/+125</b>	°C
Storage temperature range	<b>-55/+125</b>	°C


SPECIFICATION
OTHER CHARACTERISTICS
**IP67 in mated conditions**

## Notes:

- (1) Compliant with endurance requirement per MIL DTL 39030
- (2) Insertion force of the female contact on the mating connector significantly exceeding the specifications of MIL C 39012 (13.2 N max with specified test gauge) could result in the permanent deterioration of the ceramic element of the termination and affect the center pin retention.

## X-ON Electronics

Largest Supplier of Electrical and Electronic Components

*Click to view similar products for [RF Terminators](#) category:*

*Click to view products by [Radiall](#) manufacturer:*

Other Similar products are found below :

[M390303-02N](#) [M39030/3-04S](#) [M39030/3-09S](#) [M39030/3-11N](#) [TNG1-9-78-D3](#) [TNA2-50](#) [TNG1-6-78](#) [TNH1-1-50](#) [TNGFL1-1-78](#)  
[R4042N5000](#) [53S1RR-001N3](#) [142275](#) [56S1RR-001N4](#) [65\\_BNC-50-0-7/133\\_NE](#) [71S1RR-001N4](#) [02S17R-001D3](#) [R404240120](#) [R404260000](#)  
[HT-10-2](#) [FL LCX 50-OHM-RSMA](#) [M39030/3-04N](#) [TNA1-6-50](#) [131-3801-811](#) [TNA1-1-50](#) [65\\_N-50-0-51/113\\_NE](#) [65\\_BNC-50-0-2/133\\_NE](#)  
[65\\_N-50-0-1/133\\_NE](#) [65002\\_N-50-1/122\\_NE](#) [65\\_MMCX-50-0-31/111\\_OE](#) [18K15R-0.5E3](#) [2702702](#) [TRM-2161-M0-35M-02](#) [53S17R-](#)  
[001N3](#) [1100.19.0001](#) [6701.01.B](#) [18S24H-40ML5](#) [TRM-2053-M0-NNN-02](#) [R404759000](#) [M39030/6-02N](#) [TRM-2080-M0-NNN-07](#) [TRM-](#)  
[2053-MC-NNN-02](#) [M39030/3-03S](#) [SF8012-6009](#) [6701.01.A](#) [65\\_MCX-50-0-4/111\\_NE](#) [65\\_716-50-0-2/003\\_-E](#) [65\\_SMB-50-0-1/111\\_NE](#)  
[M39030/3-12N](#) [82-5722-RFX](#) [8018-6174](#)