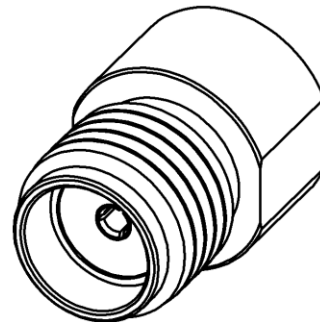
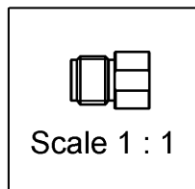
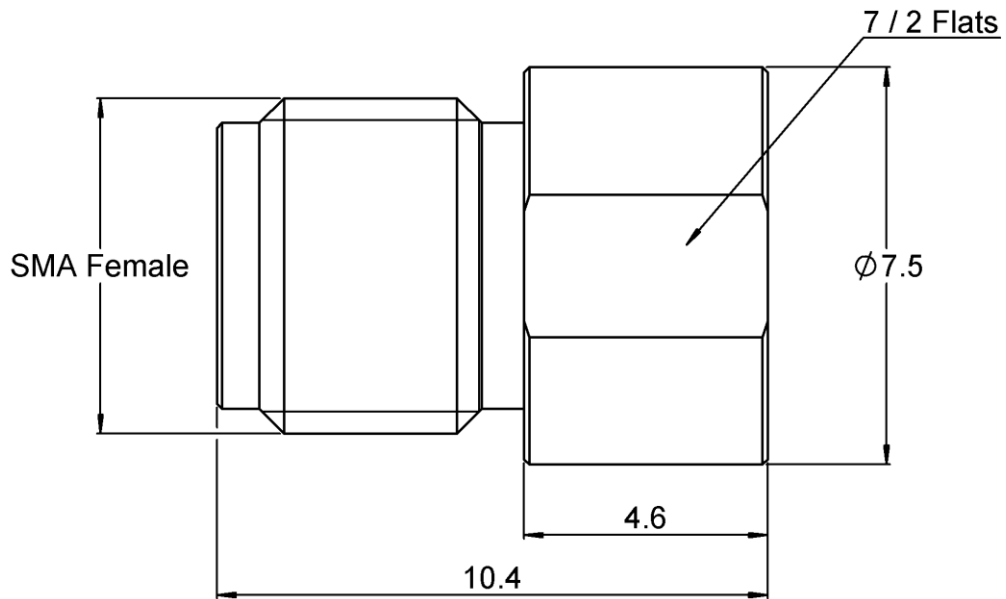
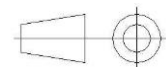


| | | | |
|----------|-----------------|------------------------------|-------------------------------|
| PAGE 1/2 | ISSUE 11-04-16A | SERIES TERMINATION | PART NUMBER R404N08000 |
|----------|-----------------|------------------------------|-------------------------------|



All dimensions are in mm.



| COMPONENTS | MATERIALS | PLATING (μm) |
|----------------|-------------------------|---------------------------|
| Body | STAINLESS STEEL | GOLD OVER NICKEL |
| Center contact | BERYLLIUM COPPER | GOLD OVER NICKEL |
| Outer contact | - | - |
| Insulator | PTFE | |
| Gasket | - | |
| Substrate | ALUMINA CERAMIC | |
| Resistor | THICK FILM | |
| Others parts | - | - |

| | | | |
|----------|-----------------|------------------------------|-------------------------------|
| PAGE 2/2 | ISSUE 11-04-16A | SERIES TERMINATION | PART NUMBER R404N08000 |
|----------|-----------------|------------------------------|-------------------------------|

ELECTRICAL CHARACTERISTICS

| | | | | |
|-----------------|---------------|-----------------|------------------|------------------|
| Frequency (GHz) | DC - 8 | 8 - 12.4 | 12.4 - 22 | 22 - 26.5 |
| V.S.W.R (≤) | 1.10 | 1.15 | 1.20 | 1.35 |

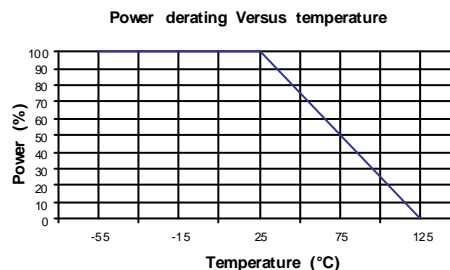
| | | |
|------------------------------|------------------|-----------------------|
| Operating Frequency Range | DC - 26.5 | GHz |
| Impedance | 50 | Ω |
| DC Resistance | 50 | Ω ± 5% |
| Peak power at 25°C (1μs, 1%) | 100 | W |
| Average power at 25°C | 1 | W (Free Air Cooled) |
| | | W (Conduction Cooled) |

MECHANICAL CHARACTERISTICS

| | | | |
|------------|---------------|---------------|--------------------|
| Connectors | SMA | Female | MIL C 39012 |
| Weight | 2,1400 | g | |

ENVIRONMENTAL CHARACTERISTICS

| | | |
|-----------------------------|-----------------|----|
| Operating temperature range | -55/+125 | °C |
| Storage temperature range | -55/+125 | °C |



SPECIFICATION

OTHER CHARACTERISTICS

IP67 in mated conditions

X-ON Electronics

Largest Supplier of Electrical and Electronic Components

Click to view similar products for [RF Terminators](#) category:

Click to view products by [Radiall](#) manufacturer:

Other Similar products are found below :

[M390303-02N](#) [M39030/3-04S](#) [M39030/3-09S](#) [M39030/3-11N](#) [TNG1-9-78-D3](#) [TNA2-50](#) [TNG1-6-78](#) [TNH1-1-50](#) [R404280000](#) [TNGFL1-1-78](#) [R4042N5000](#) [53S1RR-001N3](#) [142275](#) [56S1RR-001N4](#) [65_BNC-50-0-7/133_NE](#) [71S1RR-001N4](#) [02S17R-001D3](#) [R404240120](#) [R404260000](#) [HT-10-2](#) [FL LCX 50-OHM-RSMA](#) [M39030/3-04N](#) [TNA1-6-50](#) [131-3801-811](#) [TNA1-1-50](#) [65_N-50-0-51/113_NE](#) [65_BNC-50-0-2/133_NE](#) [65_N-50-0-1/133_NE](#) [65002_N-50-1/122_NE](#) [65_MMCX-50-0-31/111_OE](#) [18K15R-0.5E3](#) [2702702](#) [TRM-2161-M0-35M-02](#) [53S17R-001N3](#) [1100.19.0001](#) [18S24H-40ML5](#) [TRM-2053-M0-NNN-02](#) [R404759000](#) [M39030/6-02N](#) [TRM-2080-M0-NNN-07](#) [TRM-2053-MC-NNN-02](#) [M39030/3-03S](#) [SF8012-6009](#) [6701.01.A](#) [65_MCX-50-0-4/111_NE](#) [65_716-50-0-2/003_-E](#) [65_SMB-50-0-1/111_NE](#) [M39030/3-12N](#) [82-5722-RFX](#) [8018-6174](#)