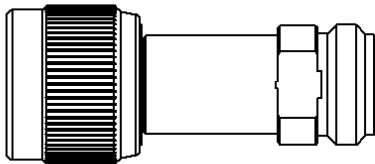
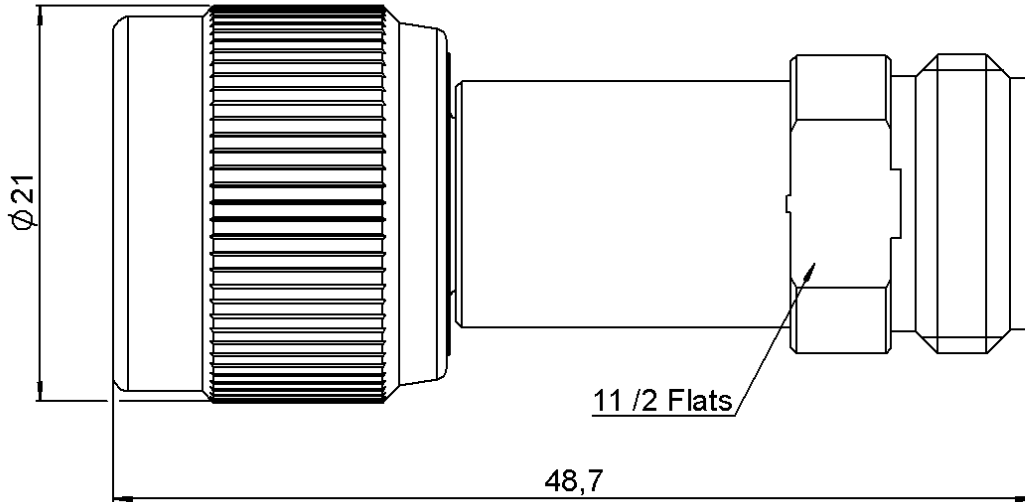


**N ATTENUATOR**  
**6 DB 2 GHZ 2W**

**R412.706.000**  
Series : **ATTENUATOR**



SCALE 1/1



All dimensions are in mm.



| COMPONENTS            | MATERIALS        | PLATING(µm)            |
|-----------------------|------------------|------------------------|
| BODY                  | BRASS            | NICKEL 5               |
| MALE CENTER CONTACT   | BERYLLIUM COPPER | GOLD 2.5 OVER NICKEL 1 |
| FEMALE CENTER CONTACT | BERYLLIUM COPPER | GOLD 2.5 OVER NICKEL 1 |
| OUTER CONTACT         | BRASS            | NICKEL 2               |
| INSULATOR             | PTFE             |                        |
| GASKET                | SILICONE RUBBER  |                        |
| SUBSTRATE             | ALUMINA          |                        |
| RESISTOR              | Thin film        |                        |
| OTHERS PARTS          |                  |                        |

Issue : 0821 T

In the effort to improve our products, we reserve the right to make changes judged to be necessary.



**N ATTENUATOR**  
**6 DB 2 GHZ 2W**

**R412.706.000**

Series : ATTENUATOR

**ELECTRICAL CHARACTERISTICS**

Frequency (GHz) DC - 2  
V.S.W.R (≤) 1.15  
Deviation(±dB) 0.35

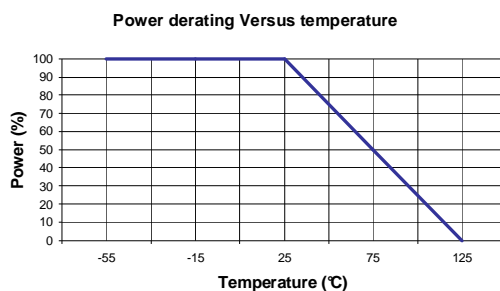
|                              |        |                       |
|------------------------------|--------|-----------------------|
| Operating Frequency Range    | DC - 2 | GHz                   |
| Impedance                    | 50     | Ω                     |
| Nominal Attenuation          | 6      | dB                    |
| Peak power at 25°C (1μs, 1%) | 100    | W                     |
| Average power at 25°C        | 2      | W (Free Air Cooled)   |
|                              |        | W (Conduction Cooled) |

**MECHANICAL CHARACTERISTICS**

|            |           |  |  |
|------------|-----------|--|--|
| Connectors | N         |  |  |
| Weight     | 59,9500 g |  |  |

**ENVIRONMENTAL CHARACTERISTICS**

|                             |              |
|-----------------------------|--------------|
| Operating temperature range | -55 /+125 °C |
| Storage temperature range   | -55 /+125 °C |



**SPECIFICATION**

**OTHER CHARACTERISTICS**

Issue : 0821 T

In the effort to improve our products, we reserve the right to make changes judged to be necessary.



## X-ON Electronics

Largest Supplier of Electrical and Electronic Components

*Click to view similar products for [Attenuators - Interconnects](#) category:*

*Click to view products by [Radiall](#) manufacturer:*

Other Similar products are found below :

[R411803119](#) [R413806115](#) [R413808000](#) [R413810115](#) [R413850115](#) [R414510000](#) [R414701000](#) [R415303000](#) [BNC-13](#) [R411800121](#)  
[R411801121](#) [R412412124](#) [R412450000](#) [R413800000](#) [R413805000](#) [R413830000](#) [R413840115](#) [R414730000](#) [R415420000](#) [R415703000](#)  
[R416010000](#) [R420003110](#) [R411801000](#) [R411815121](#) [R413305000](#) [R413801000](#) [R414520000](#) [R411808121](#) [R412500124](#) [R412414124](#)  
[R412501124](#) [HMC-C584](#) [R413802000](#) [R412400124](#) [R411700124](#) [R417310130](#) [R411801119](#) [R412419124](#) [R411703124](#) [R412401124](#)  
[R443131000](#) [R417130110](#) [R414700000](#) [R414505000](#) [R411802119](#) [R417720128](#) [R420706110](#) [R413811000](#) [R413803115](#) [R414501000](#)