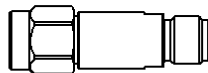
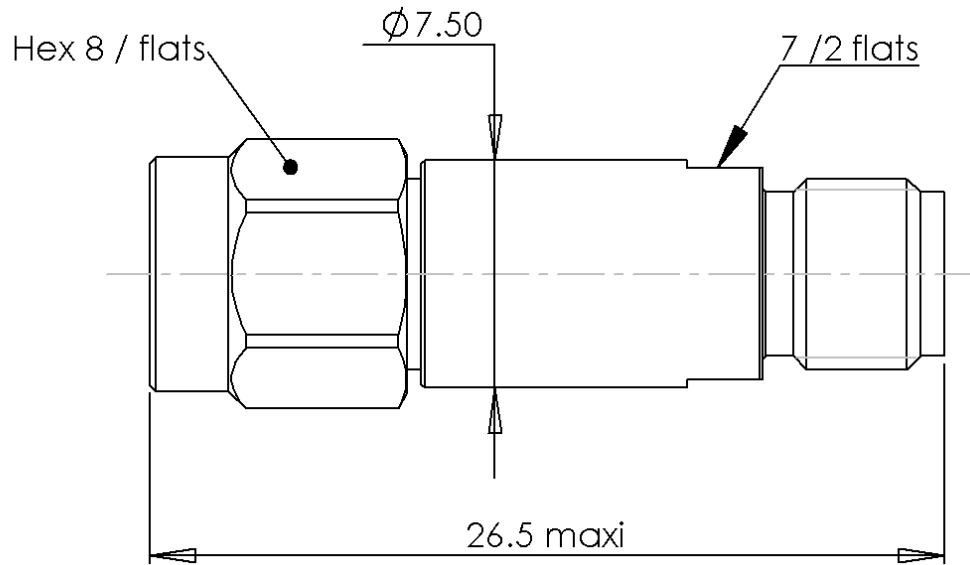
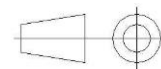
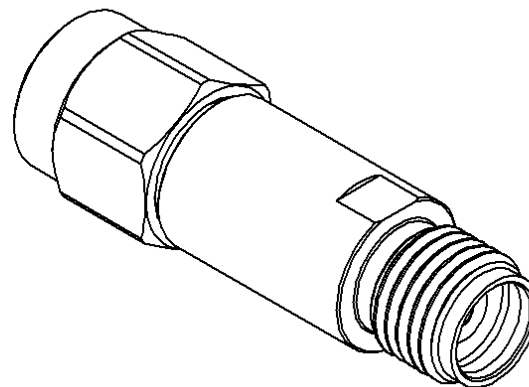


|          |                 |                             |                               |
|----------|-----------------|-----------------------------|-------------------------------|
| PAGE 1/2 | ISSUE 21-06-18A | SERIES<br><b>ATTENUATOR</b> | PART NUMBER <b>R413320150</b> |
|----------|-----------------|-----------------------------|-------------------------------|



Scale 1:1

All dimensions are in mm. Tolerances according ISO 2768 m-H



| COMPONENTS            | MATERIALS               | PLATING ( $\mu\text{m}$ ) |
|-----------------------|-------------------------|---------------------------|
| Body                  | <b>STAINLESS STEEL</b>  | <b>PASSIVATED</b>         |
| Male center contact   | <b>BERYLLIUM COPPER</b> | <b>GOLD OVER NICKEL</b>   |
| Female center contact | <b>BERYLLIUM COPPER</b> | <b>GOLD OVER NICKEL</b>   |
| Outer contact         | <b>STAINLESS STEEL</b>  | <b>PASSIVATED</b>         |
| Insulator             | <b>ULTEM</b>            |                           |
| Gasket                | <b>SILICONE RUBBER</b>  |                           |
| Substrate             | <b>ALUMINA CERAMIC</b>  |                           |
| Resistor              |                         |                           |
| Others parts          |                         |                           |

|          |                        |                             |                               |
|----------|------------------------|-----------------------------|-------------------------------|
| PAGE 2/2 | ISSUE <b>21-06-18A</b> | SERIES<br><b>ATTENUATOR</b> | PART NUMBER <b>R413320150</b> |
|----------|------------------------|-----------------------------|-------------------------------|

### ELECTRICAL CHARACTERISTICS

|                 |                  |                  |
|-----------------|------------------|------------------|
| Frequency (GHz) | <b>DC - 26.5</b> | <b>26.5 - 40</b> |
| V.S.W.R (≤)     | <b>1.25</b>      | <b>1.45</b>      |
| Deviation(±dB)  | <b>0.4</b>       | <b>0.5</b>       |

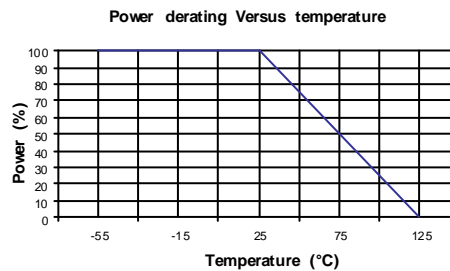
|                              |                |                       |
|------------------------------|----------------|-----------------------|
| Operating Frequency Range    | <b>DC - 40</b> | GHz                   |
| Impedance                    | <b>50</b>      | Ω                     |
| Nominal Attenuation          | <b>20</b>      | dB                    |
| Peak power at 25°C (1μs, 1%) | <b>50</b>      | W                     |
| Average power at 25°C        | <b>2</b>       | W (Free Air Cooled)   |
|                              |                | W (Conduction Cooled) |

### MECHANICAL CHARACTERISTICS

|            |                 |                    |                    |
|------------|-----------------|--------------------|--------------------|
| Connectors | <b>SMA2.9</b>   | <b>Male Female</b> | <b>MIL-C 39012</b> |
| Weight     | <b>6,1500 g</b> |                    |                    |

### ENVIRONMENTAL CHARACTERISTICS

|                             |                    |
|-----------------------------|--------------------|
| Operating temperature range | <b>-55/+125 °C</b> |
| Storage temperature range   | <b>-55/+125 °C</b> |



### SPECIFICATION

### OTHER CHARACTERISTICS

## X-ON Electronics

Largest Supplier of Electrical and Electronic Components

*Click to view similar products for [Attenuators - Interconnects](#) category:*

*Click to view products by [Radiall](#) manufacturer:*

Other Similar products are found below :

[R411803119](#) [R413806115](#) [R413808000](#) [R413810115](#) [R413850115](#) [R414510000](#) [R414701000](#) [BNC-13](#) [R411800121](#) [R411801121](#)  
[R412412124](#) [R412450000](#) [R413800000](#) [R413805000](#) [R413830000](#) [R413840115](#) [R414730000](#) [R415420000](#) [R415703000](#) [R416010000](#)  
[R420003110](#) [R411801000](#) [R411815121](#) [R413305000](#) [R413801000](#) [R414520000](#) [R411808121](#) [R412500124](#) [R412414124](#) [R412501124](#)  
[HMC-C584](#) [R413802000](#) [R412400124](#) [R411700124](#) [R417310130](#) [R411801119](#) [R412419124](#) [R411703124](#) [R412401124](#) [R443131000](#)  
[R417130110](#) [R414700000](#) [R414505000](#) [R411802119](#) [R417720128](#) [R420706110](#) [R413811000](#) [R413803115](#) [R414501000](#) [R417903128](#)