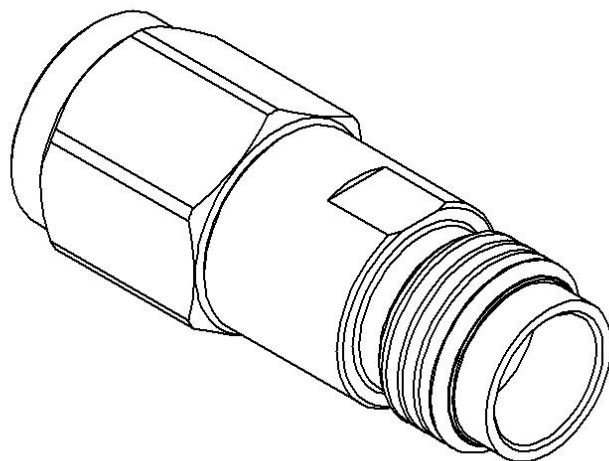
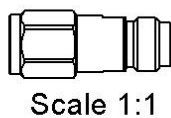
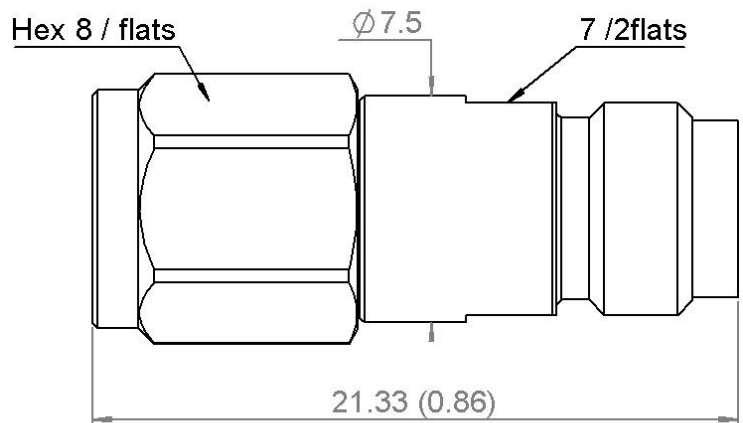
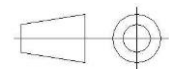


PAGE 1/2	ISSUE 17-10-22A	SERIES ATTENUATOR	PART NUMBER <b>R413V10000</b>
----------	--------------------	----------------------	-------------------------------



All dimensions are in mm. Tolerances according ISO 2768 c-K



COMPONENTS	MATERIALS	PLATING (µm)
Body	<b>STAINLESS STEEL</b>	<b>PASSIVATED</b>
Male center contact	<b>BERYLLIUM COPPER</b>	<b>GOLD OVER NICKEL</b>
Female center contact		<b>GOLD OVER NICKEL</b>
Outer contact	<b>STAINLESS STEEL</b>	
Insulator	<b>PEEK</b>	
Gasket		
Substrate	<b>ALUMINA CERAMIC</b>	
Resistor	<b>THIN FILM</b>	
Others parts		-

PAGE 2/2	ISSUE <b>17-10-22A</b>	SERIES <b>ATTENUATOR</b>	PART NUMBER <b>R413V10000</b>
----------	---------------------------	-----------------------------	-------------------------------

**ELECTRICAL CHARACTERISTICS**

Frequency (GHz)	<b>DC-26.5</b>	<b>26.5-40</b>	<b>40-50</b>	<b>50-67</b>
V.S.W.R (≤)	<b>1.3</b>	<b>1.5</b>	<b>1.65</b>	<b>1.75</b>
Deviation(±dB)	<b>0.4</b>	<b>0.7</b>	<b>0.7</b>	<b>1</b>

Operating Frequency Range	<b>DC-67GHZ</b>	GHz
Impedance	<b>50</b>	Ω
Nominal Attenuation	<b>10</b>	dB
Peak power at 25°C (1μs, 1%)	<b>50</b>	W
Average power at 25°C	<b>1</b>	W (Free Air Cooled)
		W (Conduction Cooled)

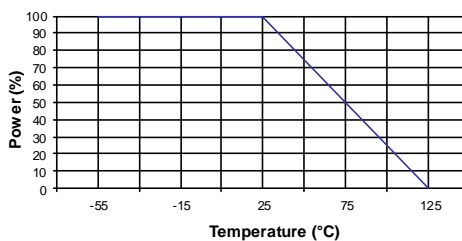
**MECHANICAL CHARACTERISTICS**

Connectors	<b>1.85MM</b>	<b>Male Female</b>	<b>MIL C39012</b>
Weight (±15%)	<b>10,000 g</b>		

**ENVIRONMENTAL CHARACTERISTICS**

Operating temperature range	<b>-55/+125 °C</b>
Storage temperature range	<b>-55/+125 °C</b>

**Power derating Versus temperature**



**SPECIFICATION**

**OTHER CHARACTERISTICS**

## X-ON Electronics

Largest Supplier of Electrical and Electronic Components

*Click to view similar products for [Attenuators - Interconnects](#) category:*

*Click to view products by [Radiall](#) manufacturer:*

Other Similar products are found below :

[R414701000](#) [R411800121](#) [R413840115](#) [ATT-523F-05-SMA-02](#) [R413305000](#) [R411808121](#) [R412501124](#) [R414702000](#) [ATP8-10006KV](#)  
[R414705000](#) [R411710124](#) [R410220121](#) [CT3369A-20](#) [09AS102-K40S3](#) [R411802000](#) [ATT-263F-03-SMA-02](#) [R417320130](#) [R412508124](#)  
[R417030110](#) [ATT-523F-12-SMA-02](#) [ATT-263F-06-SMA-02](#) [ATT-0263-22-SMA-02](#) [ATT-263F-10-SMA-02](#) [ATT-523F-10-SMA-02](#)  
[R422030020](#) [R422020030](#) [R417506130](#) [ATT-0263-25-SMA-02](#) [R413810000](#) [R411810124](#) [R413803000](#) [R417330110](#) [ATT-0290-02-HEX-](#)  
[02](#) [R415603000](#) [R415620000](#) [R415606000](#) [R415610000](#) [ATT-0290-00-SMA-02](#) [AT-130V](#) [CATTEN-05R0-BNC](#) [CATTEN-04R0-BNC](#)  
[6620\\_SMA-50-1/199\\_NE](#) [6630\\_SMA-50-2/199\\_NE](#) [CATTEN-06R0-BNC](#) [ATT-0294-02-SMA-02](#) [ATT-0298-06-HEX-02](#) [6610\\_SMA-50-](#)  
[2/199\\_NE](#) [6605\\_SMA-50-1/199\\_NE](#) [6820.17.A](#) [6803.17.B](#)